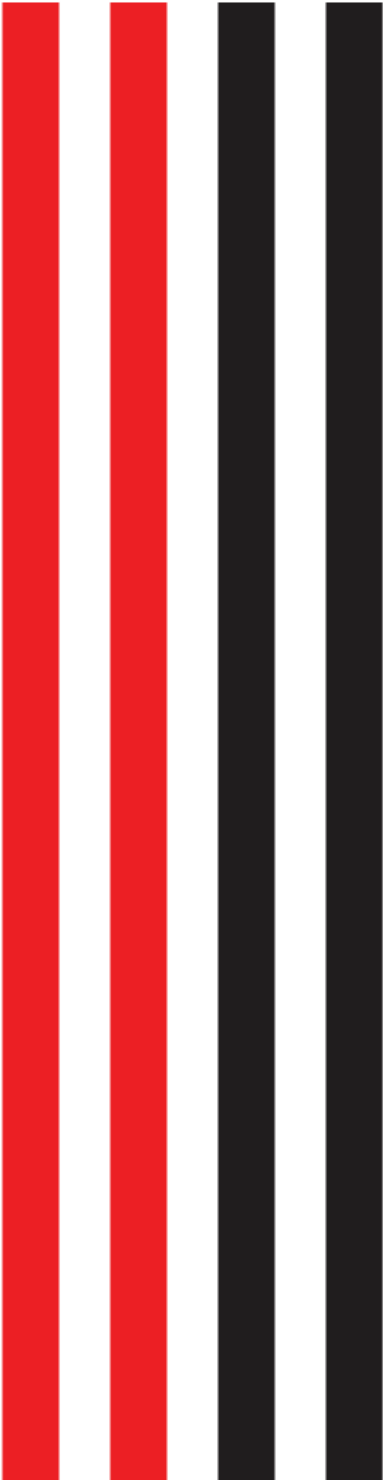


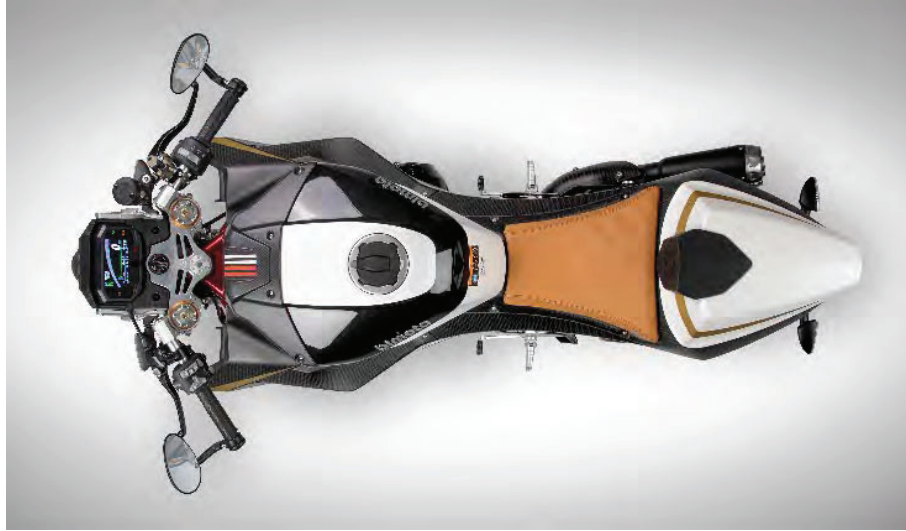
IIIIB4RC

Parts Catalogue



bimota





Model Information

Model Name: KB4rc
 Starting production year: 2023
 VIN No. Format: ZRPBKB402ERxxxxxx
 Engine No. Format: ZXT02KExxxxxx

Part list information

This parts catalog lists parts and sub-assemblies provided as spare parts. When it becomes necessary to replace parts always use KAWASAKI GENUINE PARTS. Strict inspection assures quality and performance of KAWASAKI GENUINE PARTS.

HOW TO PLACE AN ORDER FOR PART

When ordering parts be sure to use the catalog for the correct model and year of the vehicle. Include the following items exactly as listed in this catalog on your parts order.

- Part Number
- Part Name
- Quantity

EXPLANATION OF PART CATALOGUE FORMAT

A. Model Title

This title describes the model contained in this catalog.

B. Part Group Title

A representative name for the group of parts illustrated on the page.

C. Part Number

The number assigned to a part for the purpose of parts ordering.

D. Description

Describes the main function of the part and includes data such as size, number of teeth, color, etc.

E. Quantity

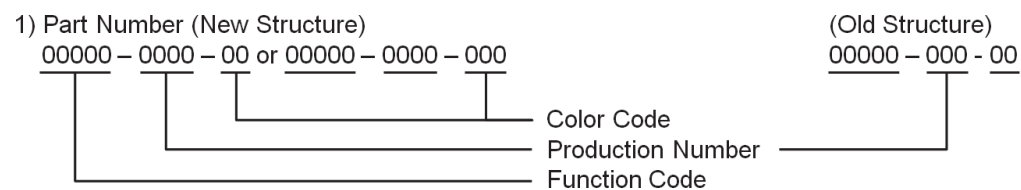
Specifies how many of a part are required at the indicated position on the illustration.

BIMOTA PART NUMBER STRUCTURE

OLD: 000000000

NEW: BMT000000000

KAWASAKY PART NUMBER STRUCTURE



A

B

1.1 FRONT WHEEL

PART. NO.	DESCRIPTION	QUANTITY
001002142	SCREW 10x2.5 SHWZ ANL TORX EXHA AP	8
001004107	SCREW 8x1.5 TORX	1
201001082	SCREW 8x1.5 TORX	6
011011078	FRONT FIGHTER SPRING CLAMP 300mm	1
011011077	FRONT LEFT BRAKE CLAMP 330mm	1
01170-0025	Springs sensor	1
107000010	Special screw for plastic wheel	8
100001070	Spacer	3
000001020	FRONT wheel	1
000001140	FRONT SUSPENSION TANK 3,00*100*100	1
100001170	FRONT axle	1

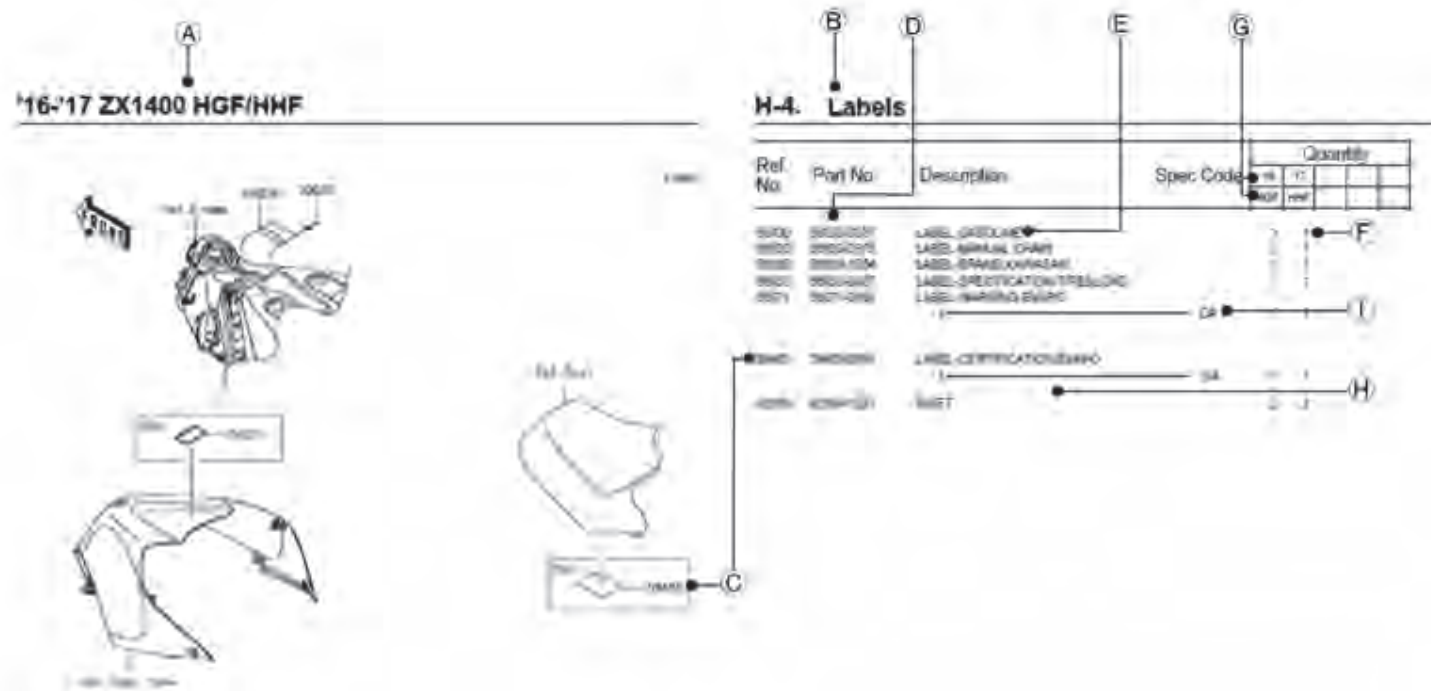
C

D

E

PARTS CATALOGUE CLARIFICATIONS

BIMOTA KB4rc USE KAWASAKI ENGINE AND SOME ELECTRONICS COMPONENTS. FOR THIS PARTS MANUFACTURER'S PICTOGRAMS ARE USED AND WE INSERT HERE THE MANUFACTURER READING CRITERIA



A. Year & Model Title

This title describes the year(s) and model(s) contained in this catalog.

B. Part Group Title

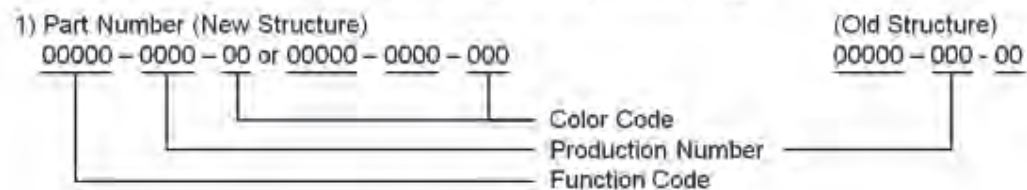
A representative name for the group of parts illustrated on this page.

C. Reference Number

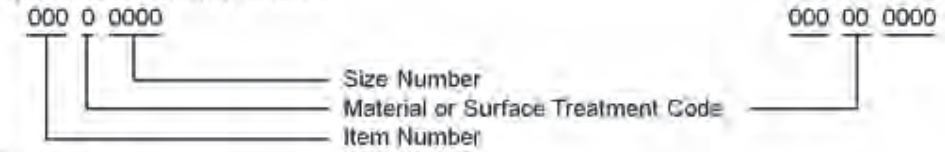
The reference number is listed on the illustration and parts list. It is the link between the illustration and the parts list.

D. Part Number

The number assigned to a part for the purpose of parts ordering.



2) Standard Hardware Number



E. Description

Describes the main function of the part and includes data such as size, number of teeth, color, etc.

List of Abbreviations

Abbreviation	Meaning	Abbreviation	Meaning	Abbreviation	Meaning
(+)	Plus	HEX	Hexagonal	REF	Reference
(-)	Minus	ID =	Inside Diameter	RH	Right Hand
&	And	KPH	Kilometers Per Hour	RPM	Revolutions Per Minute
2ND	Second	L	Link	RR	Rear

CNT	Center	MPH	Miles Per Hour	V	Volt
COMP	Complete	NA	Not Available	W	Watt
D	Degree	O/S	Over Size	W/	With
FR	Front	OD =	Outside Diameter	WD	With Decal
G	Gram	PR	Ply Rating	WOD	Without Decal

F. Quantity

Specifies how many of a part are required at the indicated position on the illustration.

G. Year & Model

Indicates which parts are used for a specific vehicle year and model.

H. Additional Information

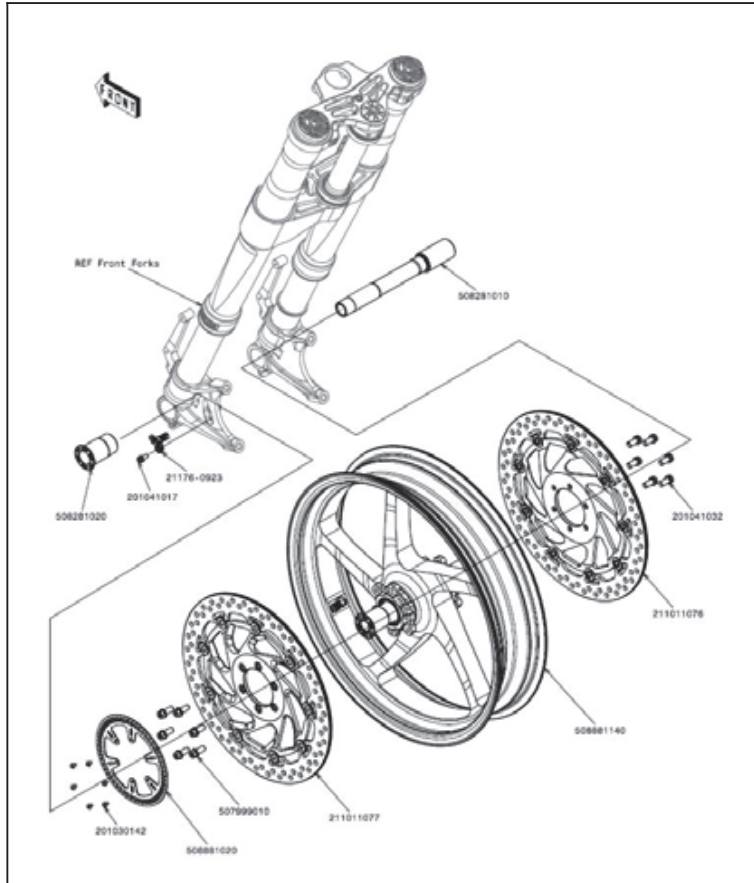
Additional information is shown as follows:

- (OPTION) Part is not installed as original equipment, but is available separately.
- (RACING USE ONLY) Part is to be used for closed course racing only on this vehicle.
- (OFF-ROAD USE ONLY) Part is for off-road use only this vehicle.
- (LOCAL PROCUREMENT ITEM) Part is obtainable from a local source. No part number is listed.
- Technical relationships between old part numbers and new part numbers are shown as follows:
 INTERCHANGE - Old part or new part can be used.
 UBSTITUTE - New part replaces old part. Old part cannot be used in place of new part.
- Mid-Year part number changes on a vehicle are noted by engine or frame number references.
 - (- KZ400DE001181) Affected units are from beginning of model year production up to and including this engine number.
 - (KZ400D-008111 -) Affected units are from this frame number to the end of model year production.
 - (KZ400DE008181 - KZ400DE018888) Affected units are in this engine number range.

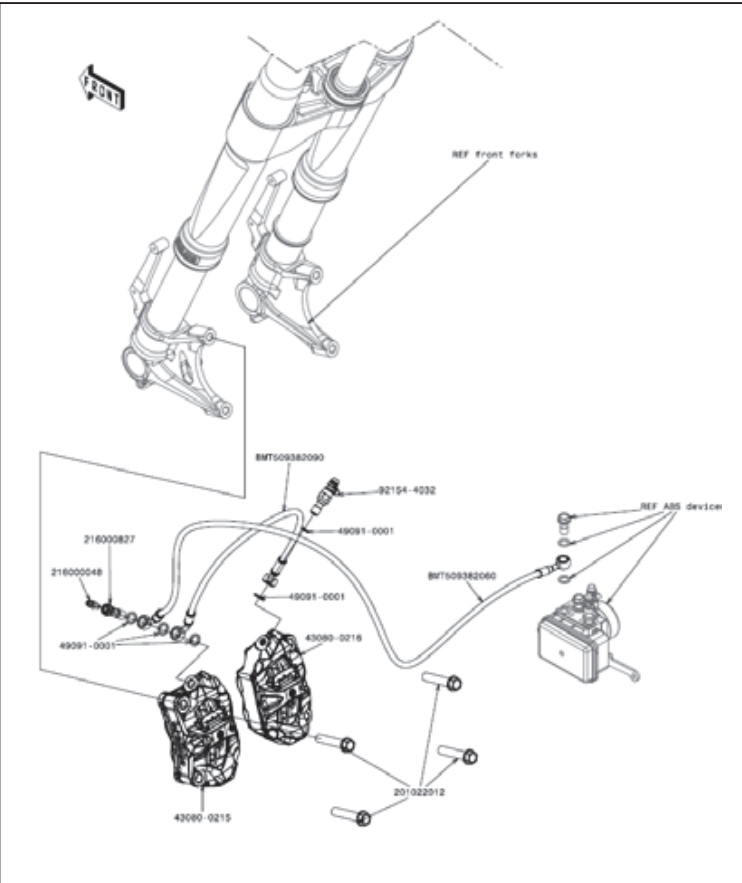
I. Specification Code

Identifies the specification of the vehicle for which the part applies. If no spec code is listed, that means the part is used for all specifications.

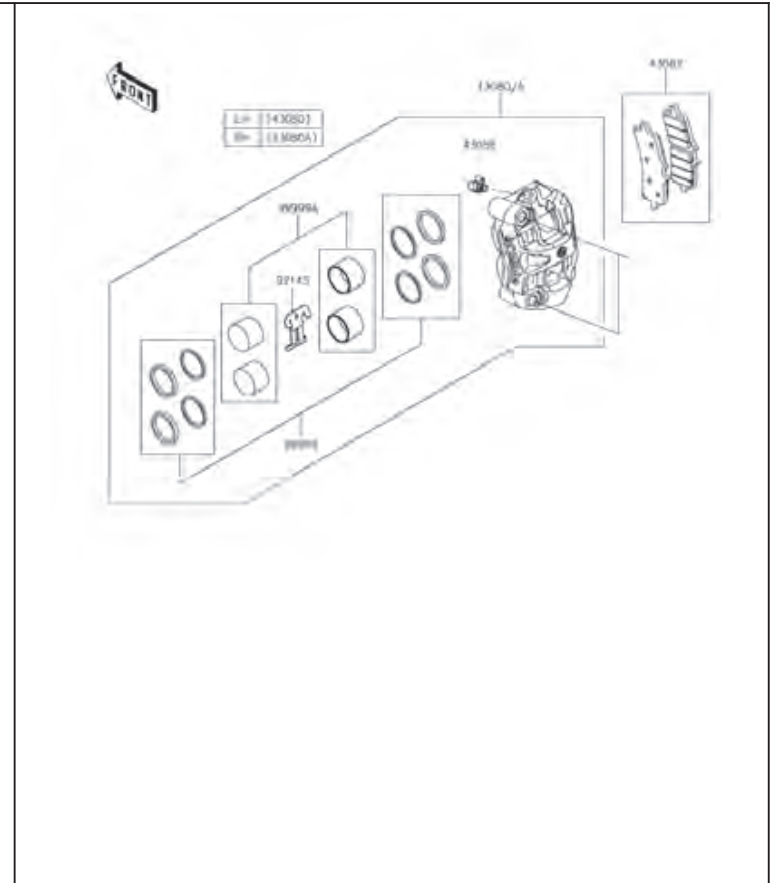
Spec Code	Specification	'20	'20			
		KLF	KLFA			
WV	Whole Vehicle Type Approval	O	O			



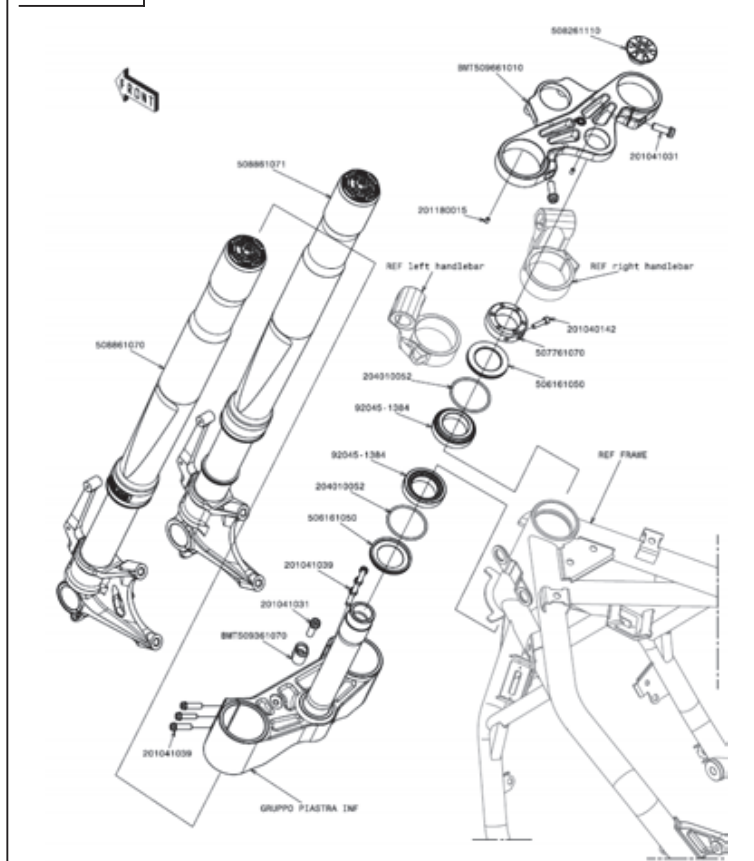
1.1 Front Wheel



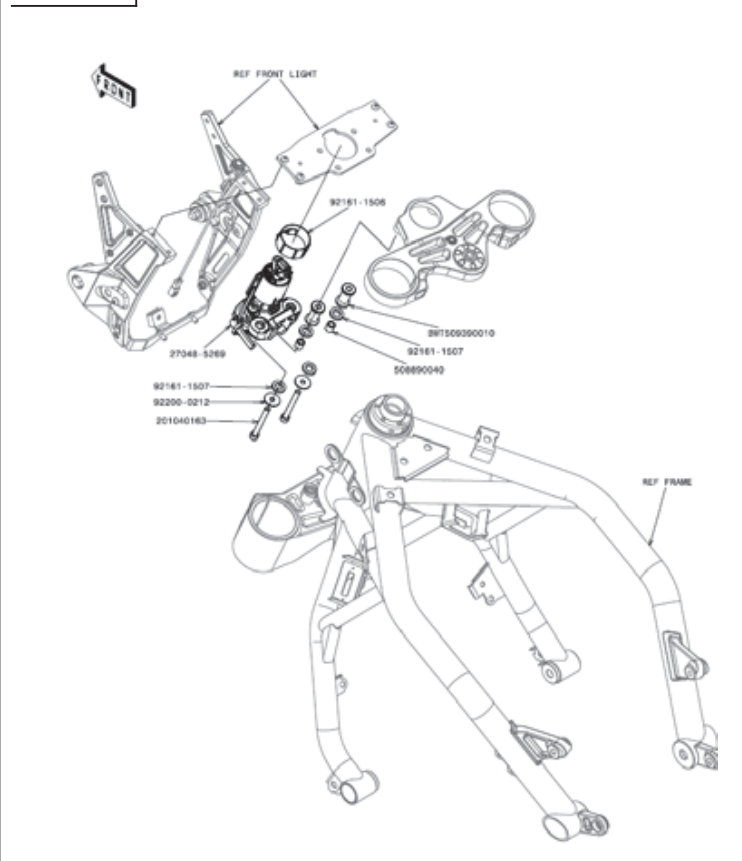
1.2 Front wheel (brake calipers)



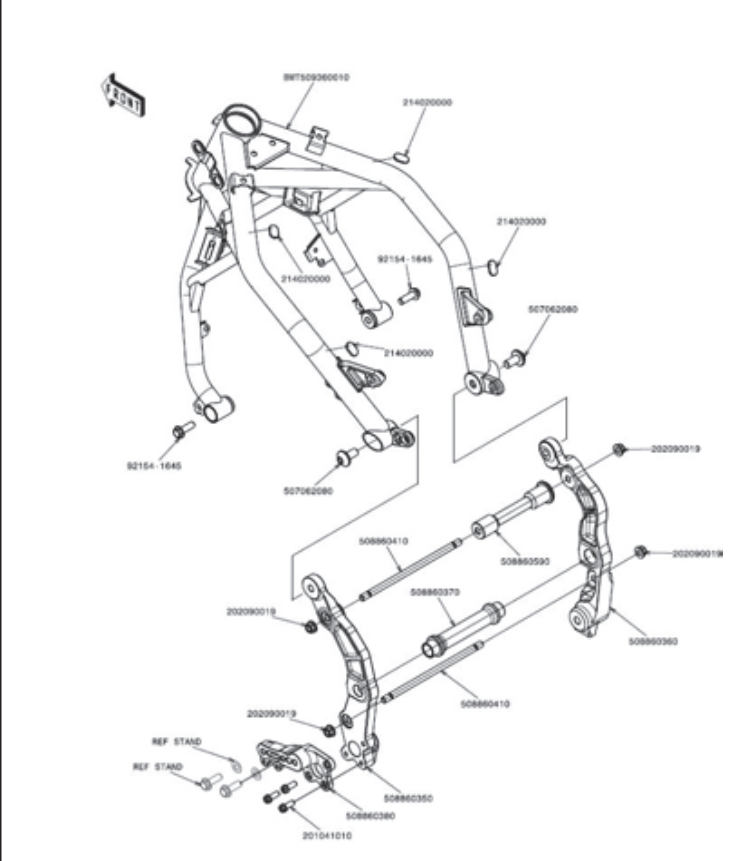
1.4 Front caliper sub-ASSY



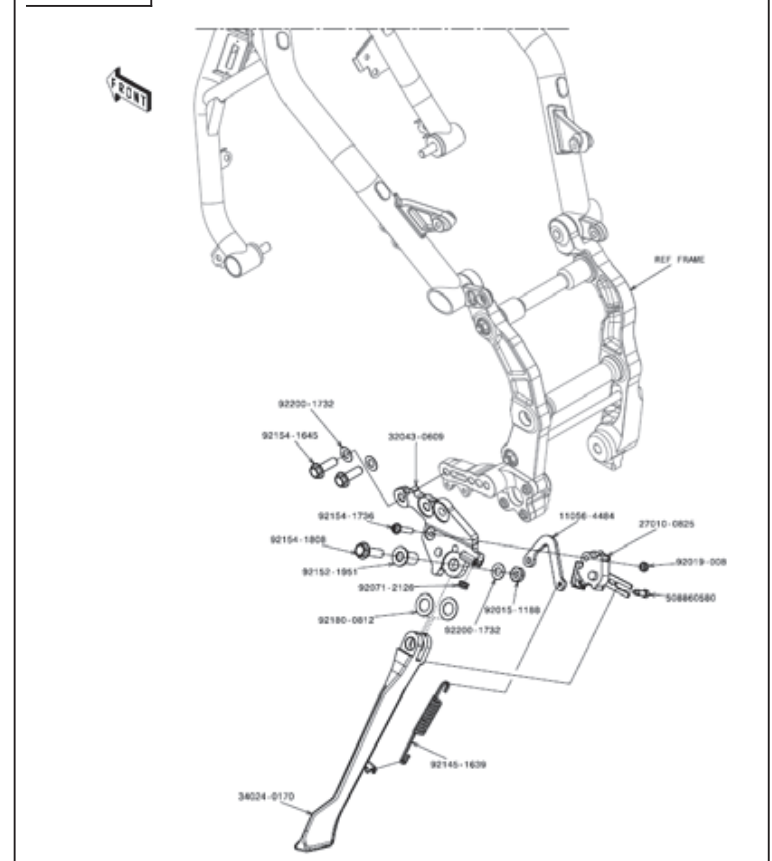
2.1 Front suspension



2.2 Front suspension (switch ASSY)

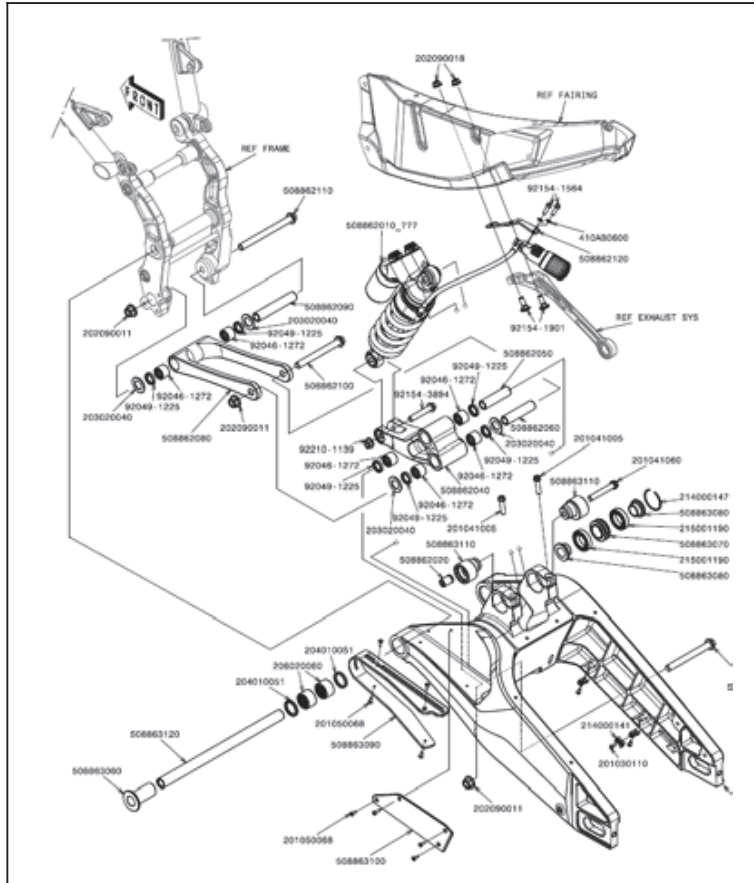


3.1 Frame

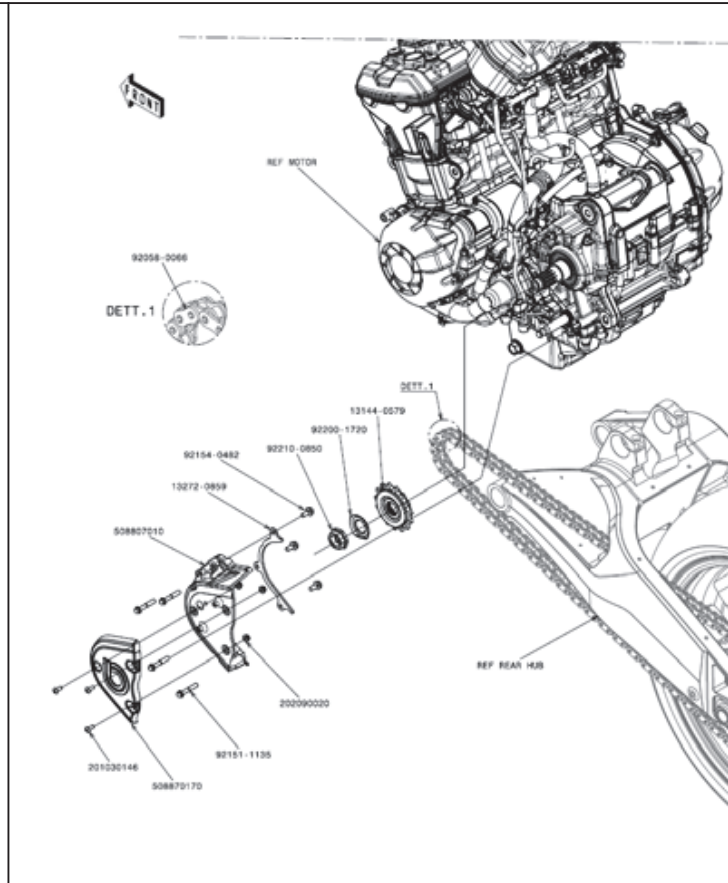


3.2 Frame (stand)

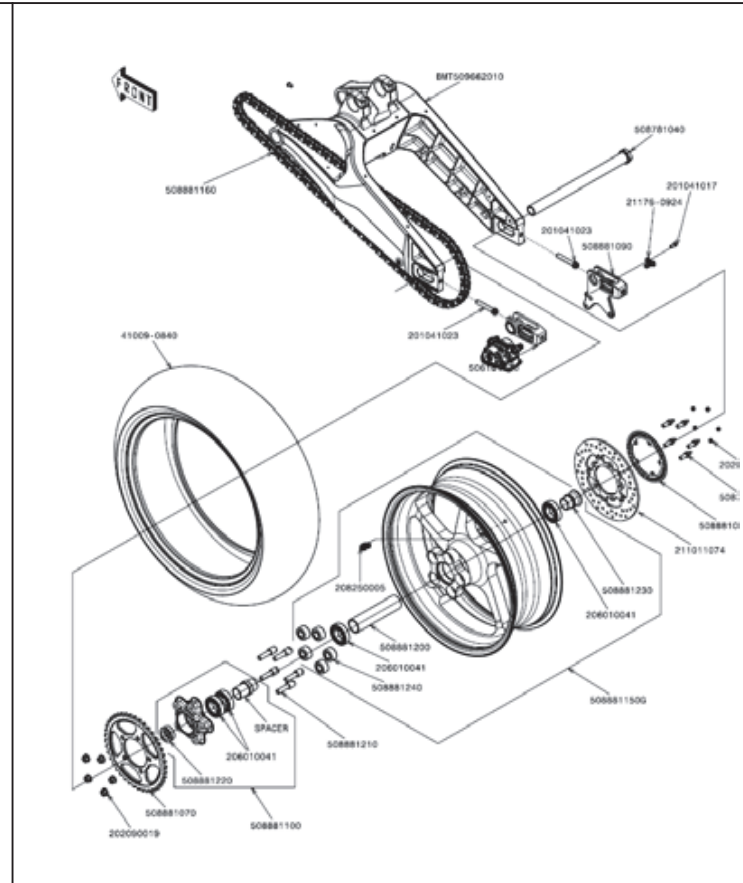
Pictorial Index NOTE: CLICK ON THE MINIATURE AND REACH THE CORRESPONDING CATALOGUE PAGE



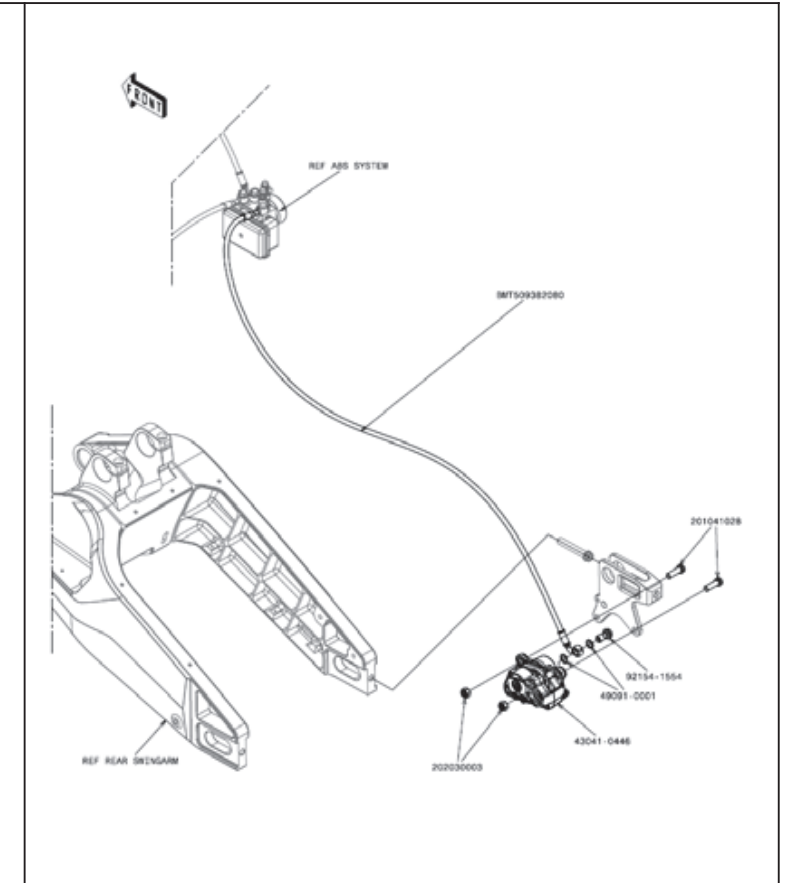
4 Rear swingarm



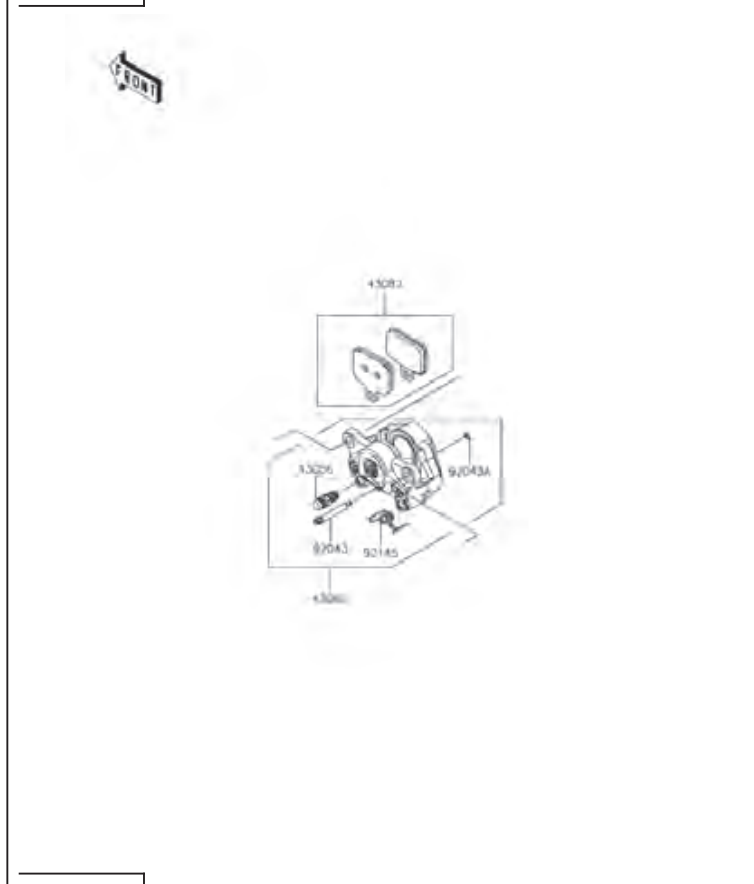
5.1 Rear wheel (sprocket hub)



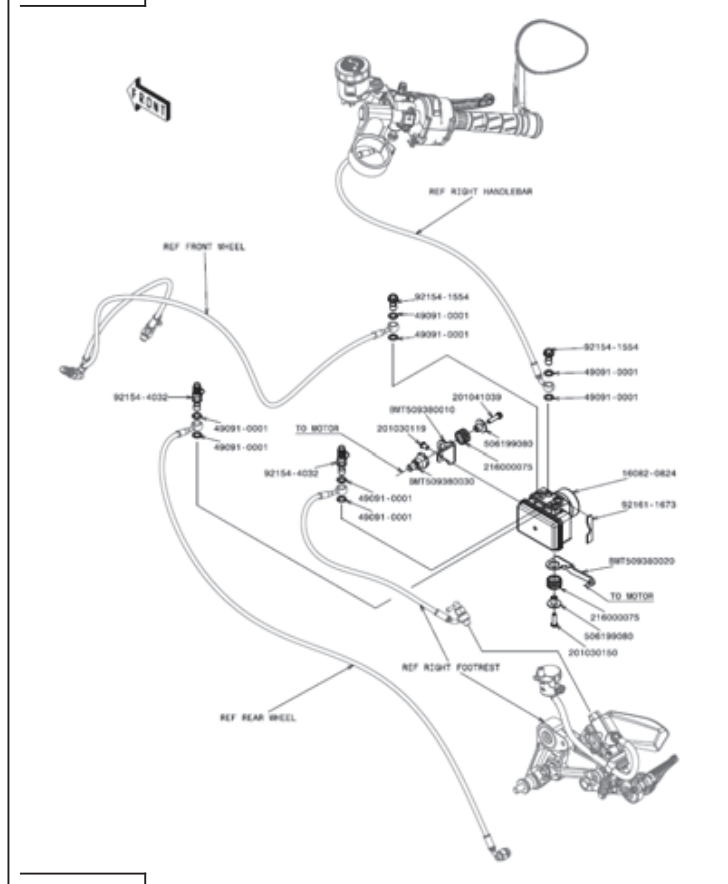
5.2 Rear wheel (wheel hub)



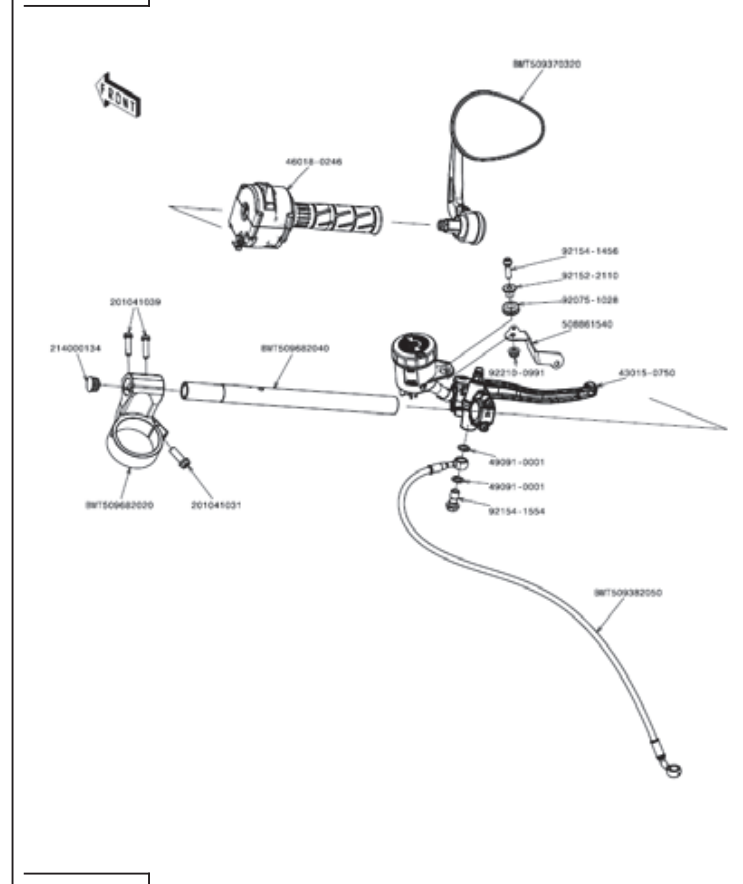
5.3 Rear wheel (rear brake caliper)



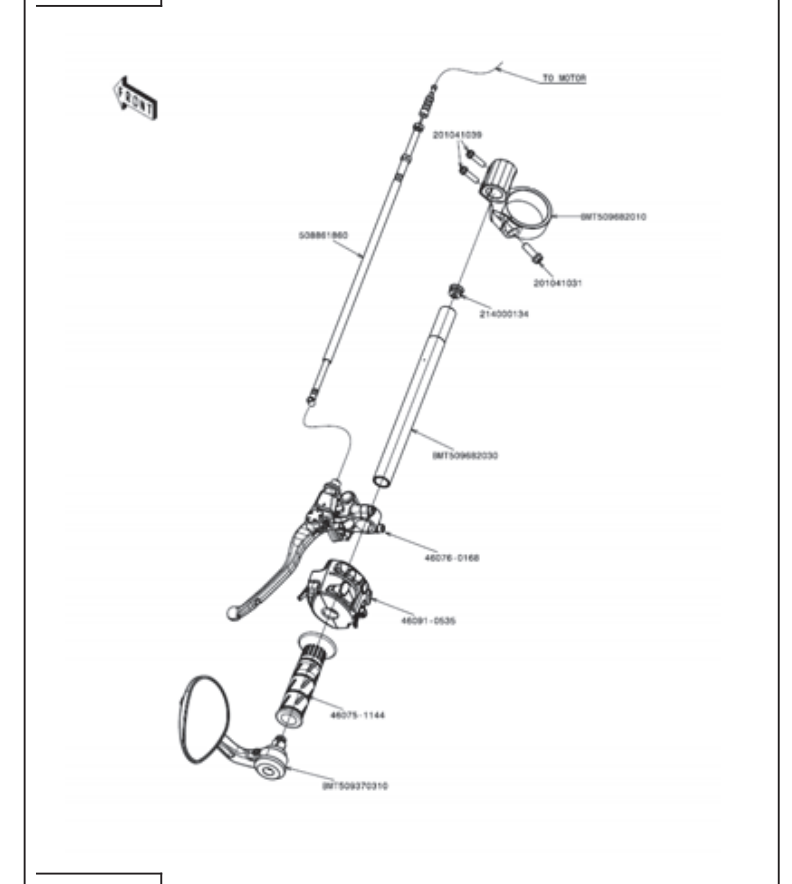
5.4 Rear brake caliper sub-ASSY



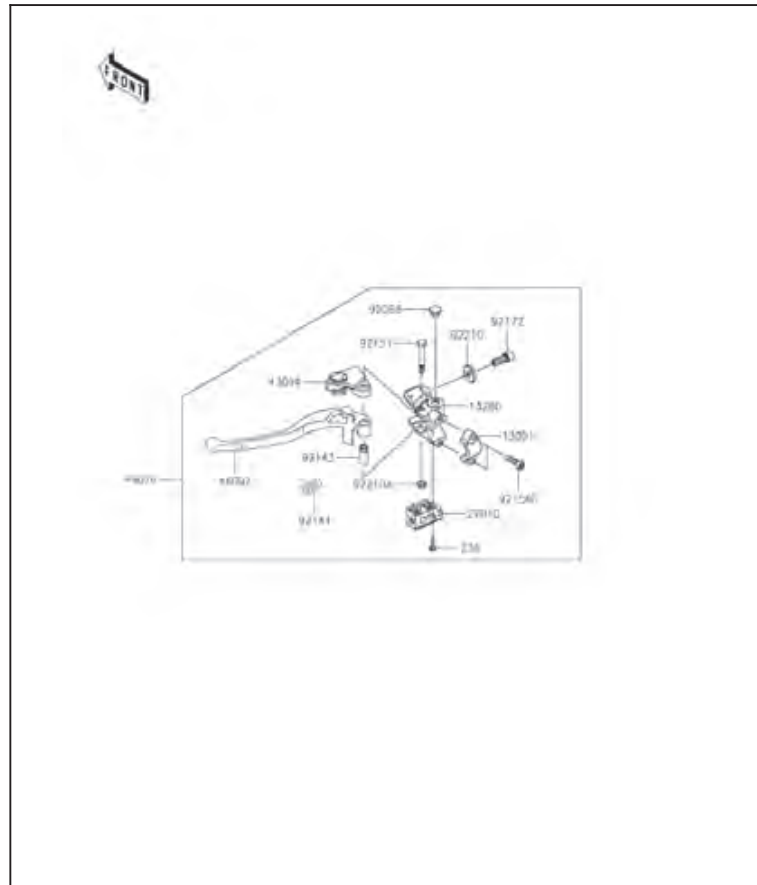
6 ABS System



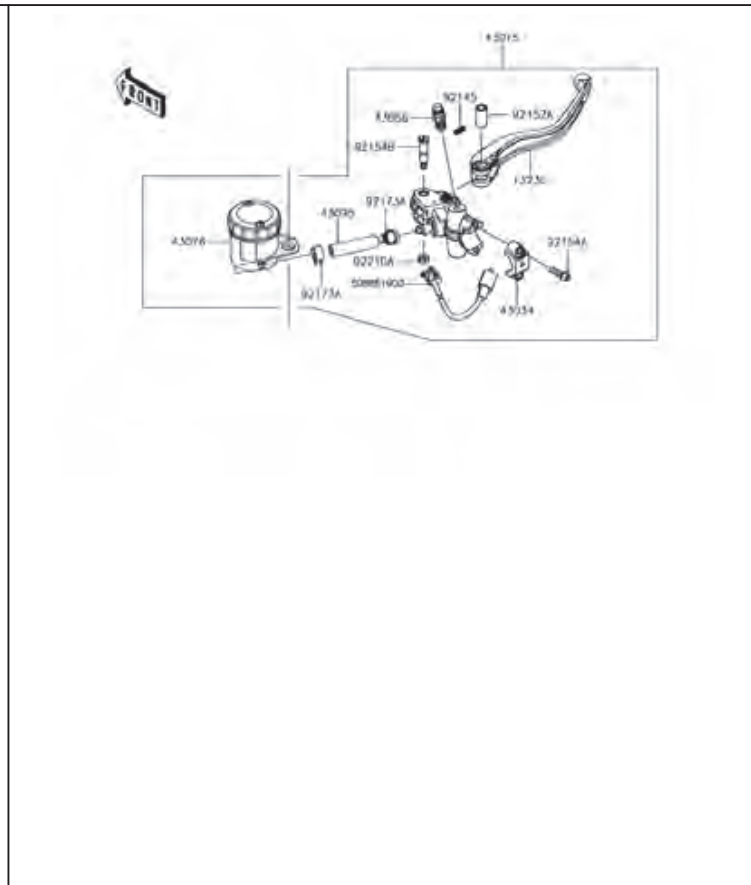
7.1 Right handlebar



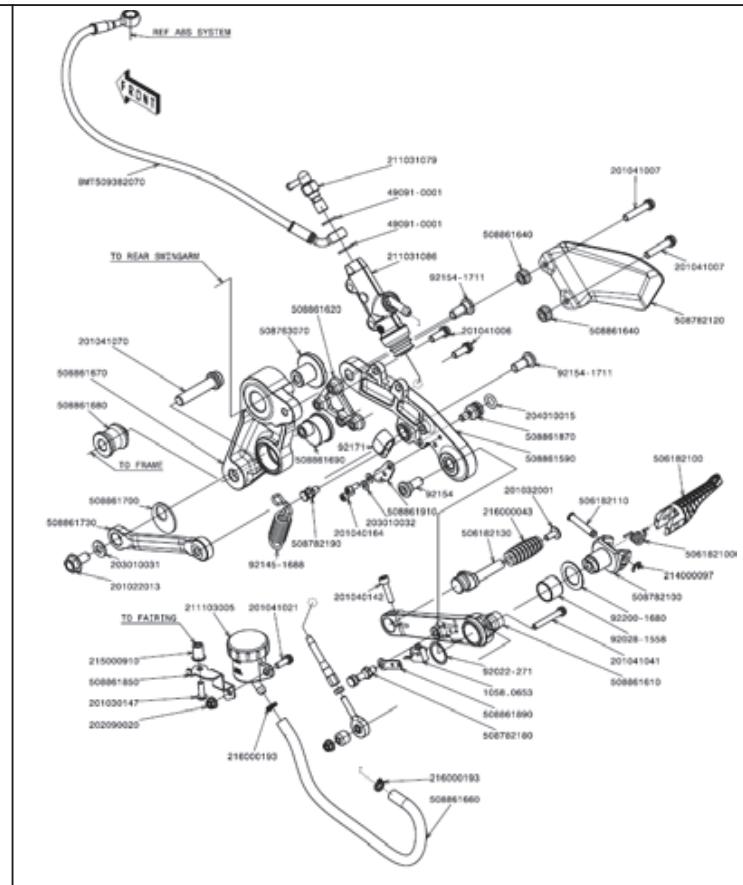
7.2 Left handlebar



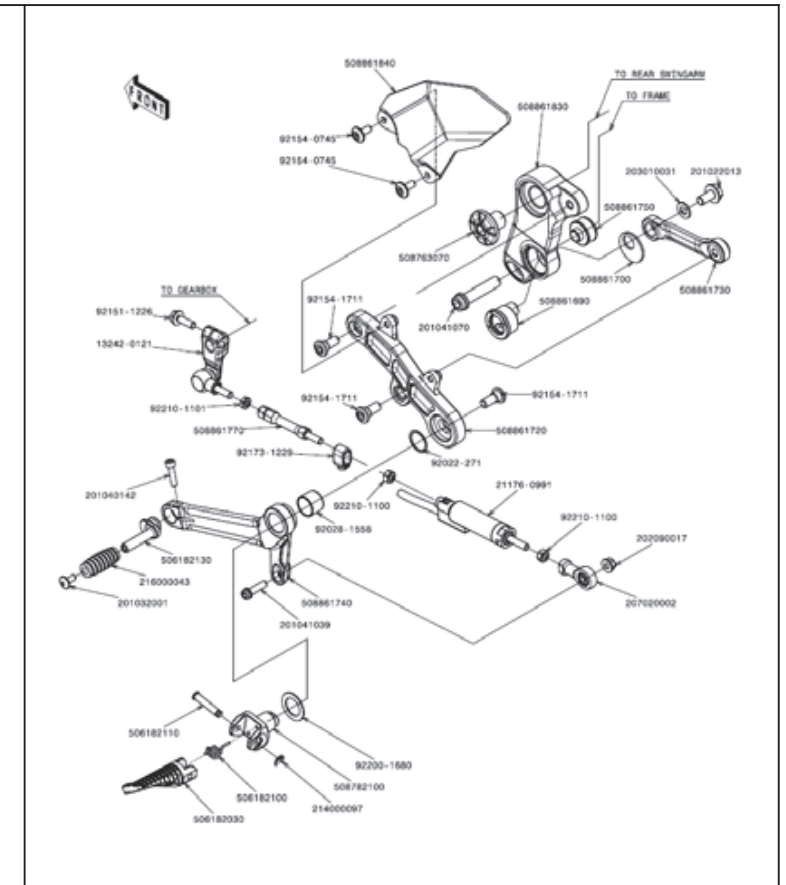
7.3 Clutch lever ASSY



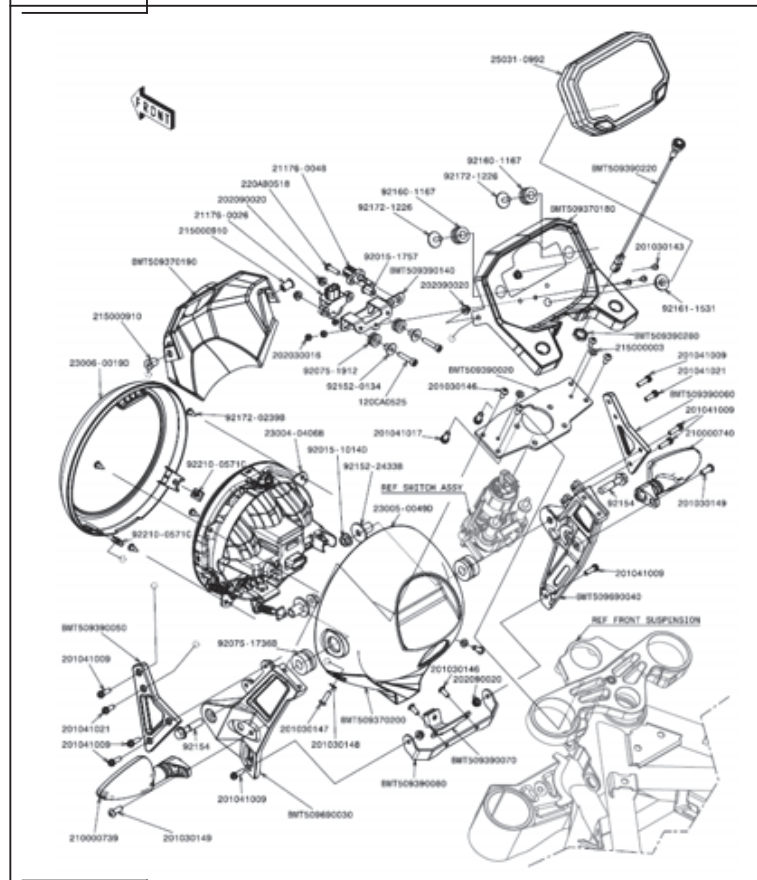
7.4 Front master cylinder



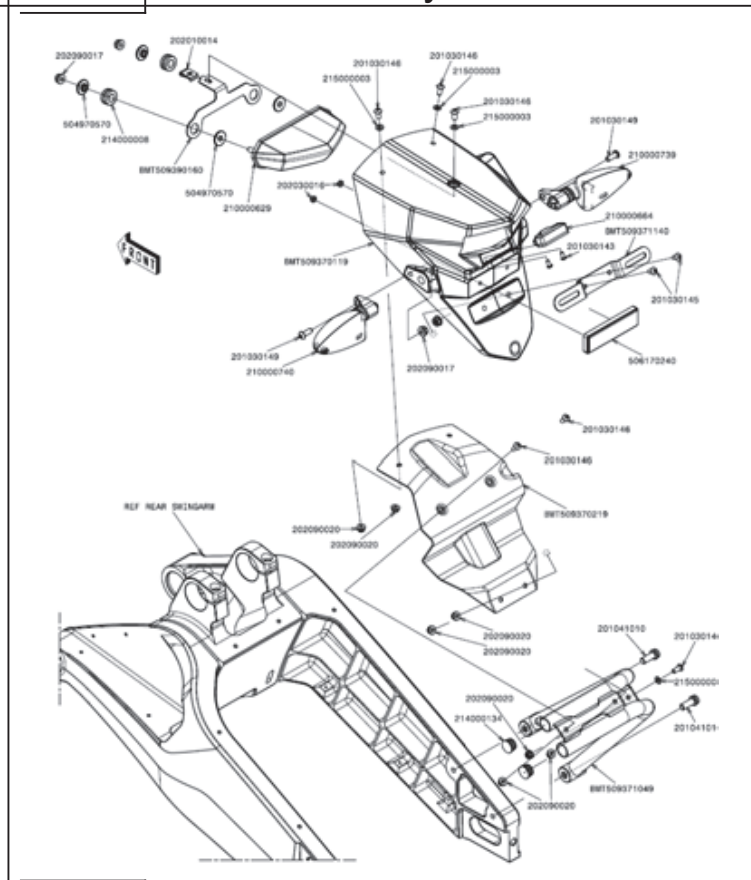
8.1 Right footrest



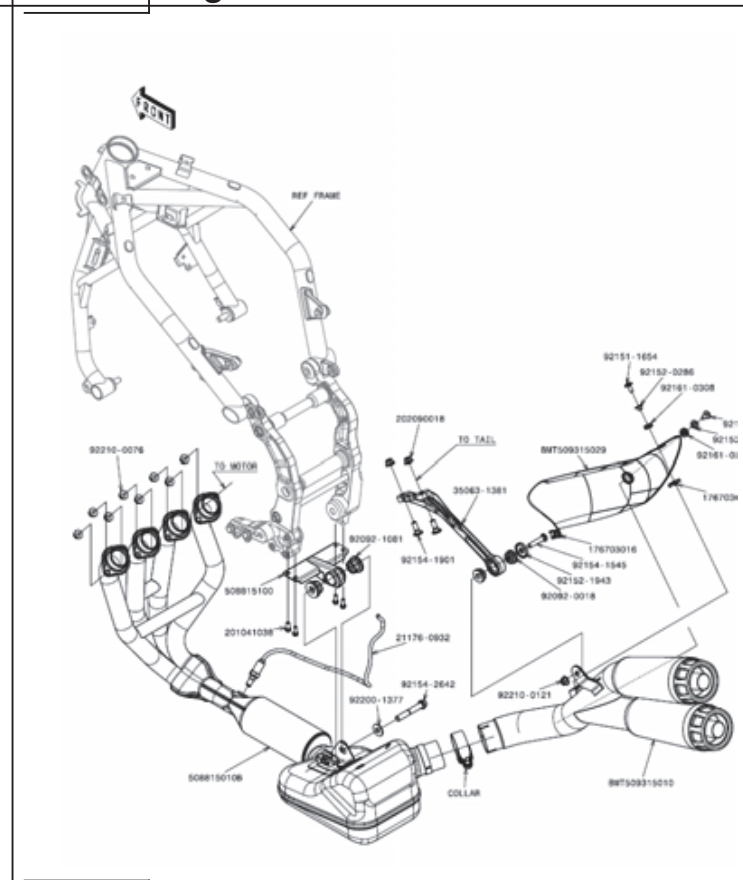
8.2 Left footrest



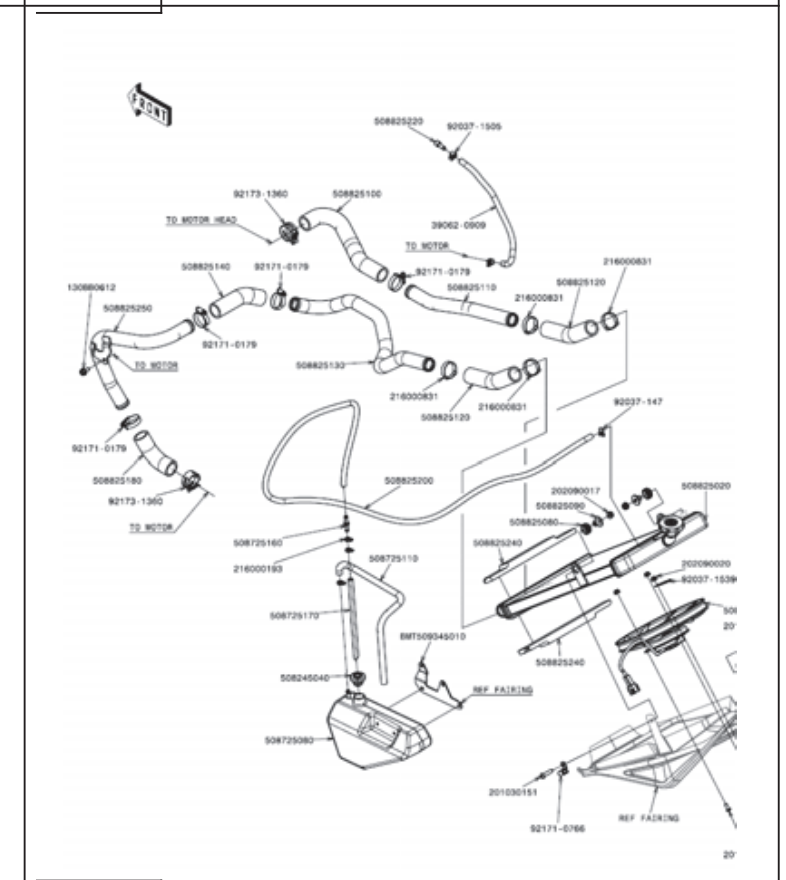
9 Front light



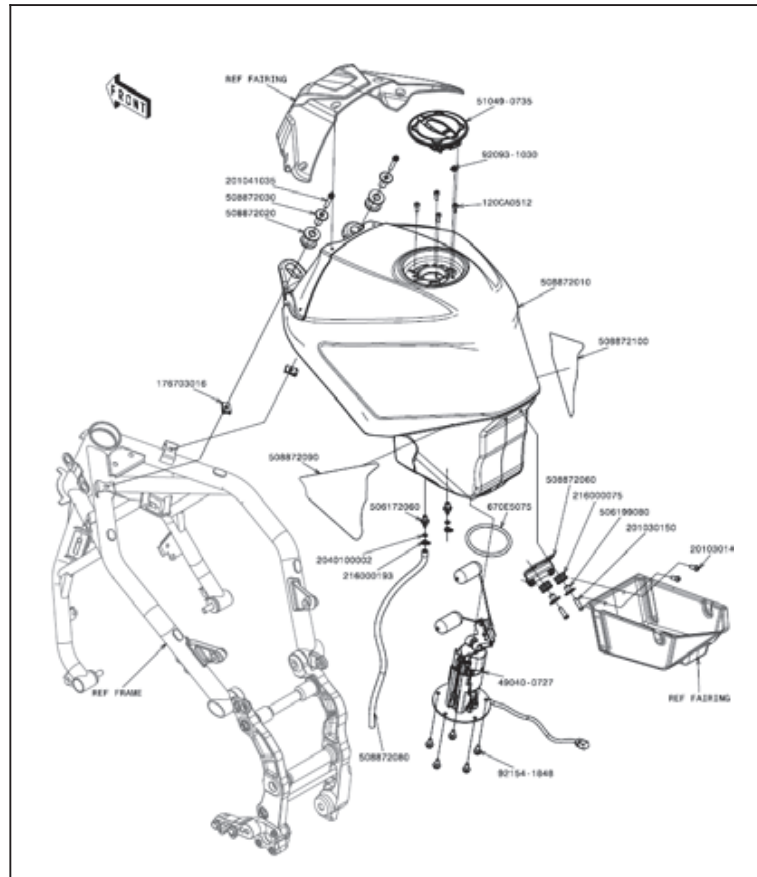
10 License plate holder



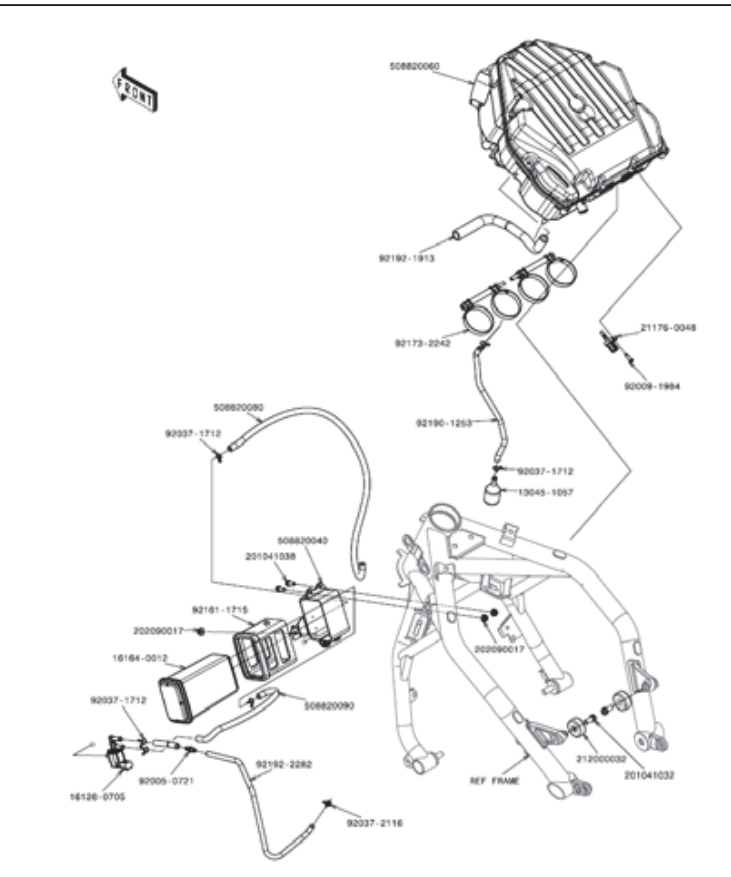
11 Exhaust system



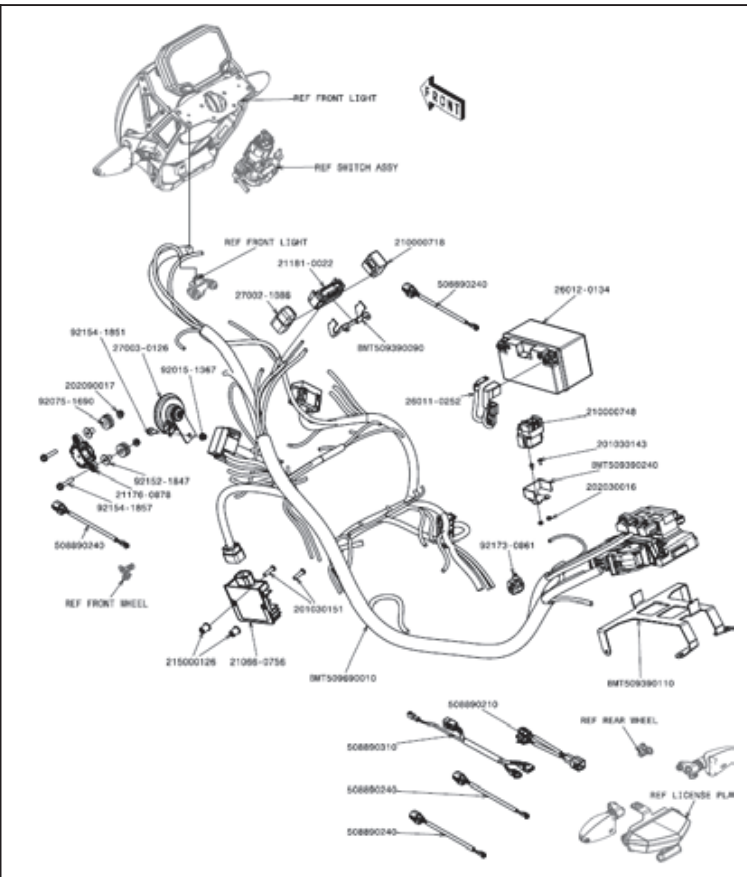
12 Cooling system



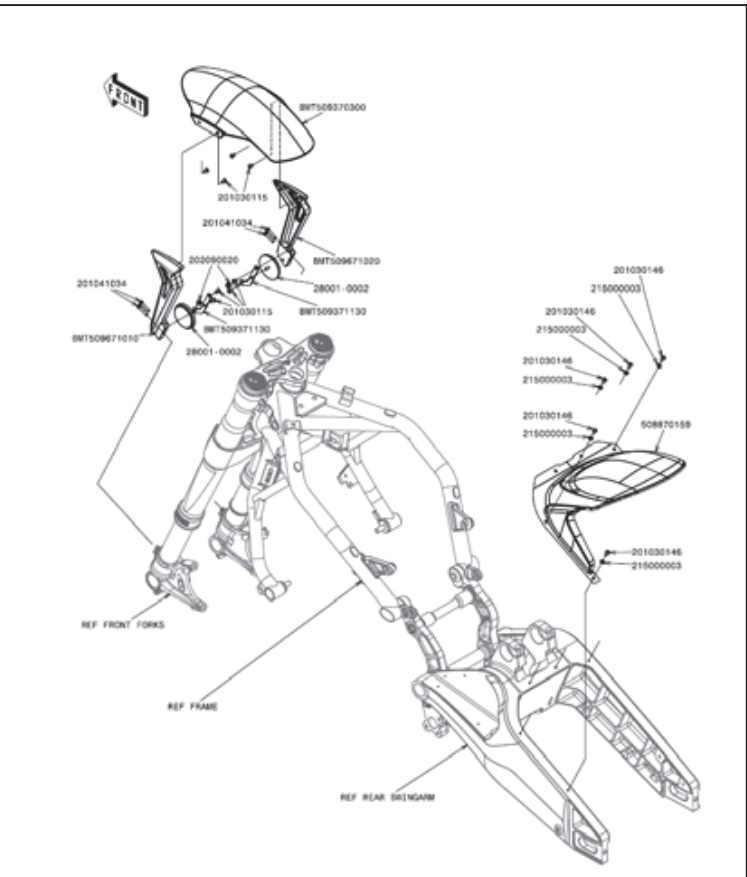
13 Fuel tank group



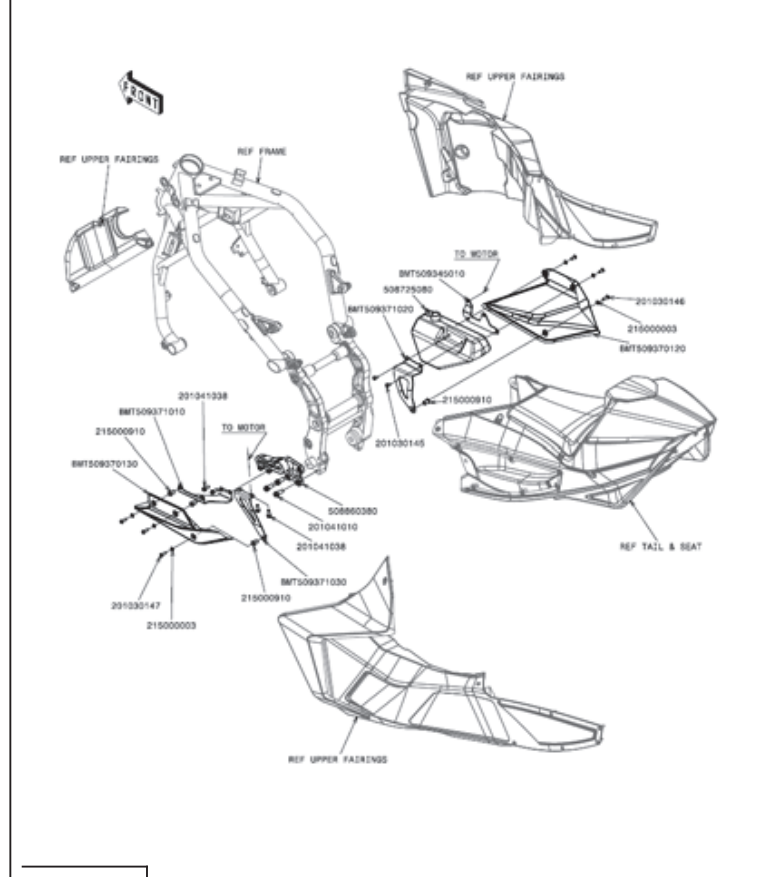
14 Airbox - fuel evaporative system



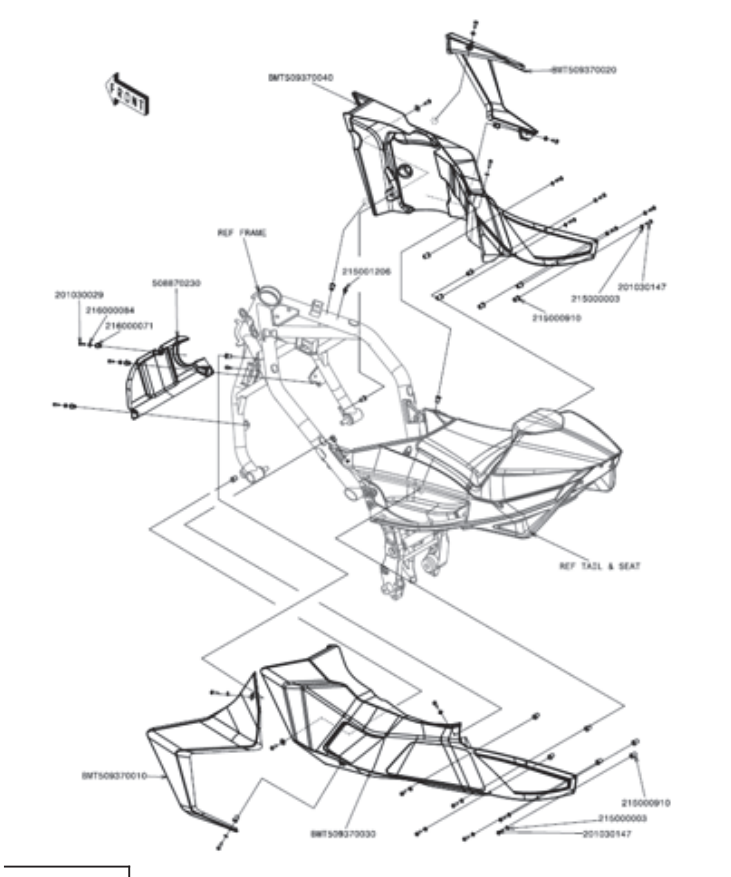
15 Electrical system



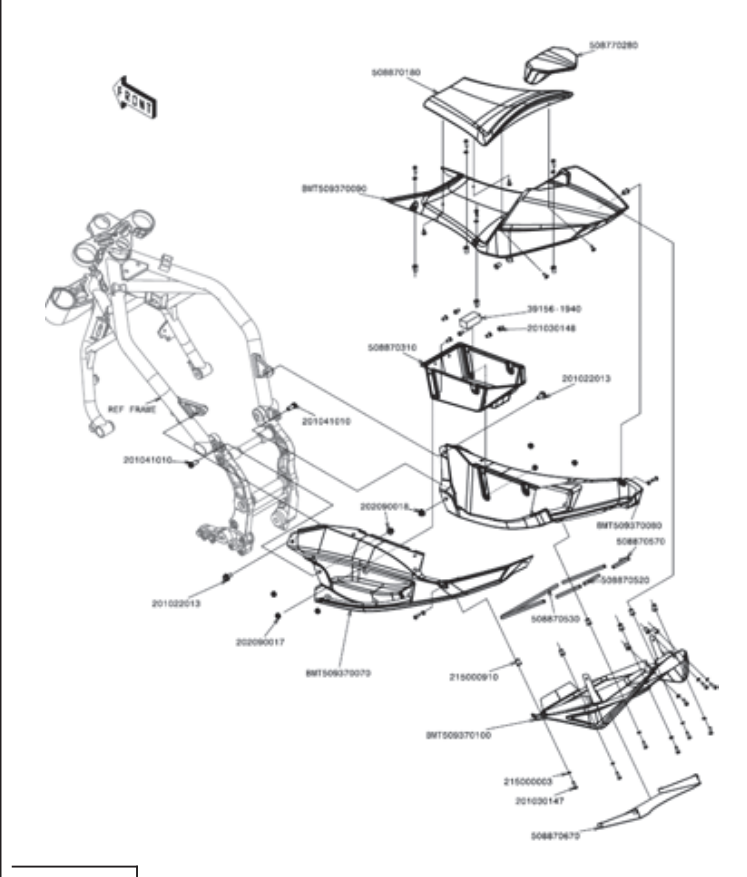
16.1 Fairings (fenders)



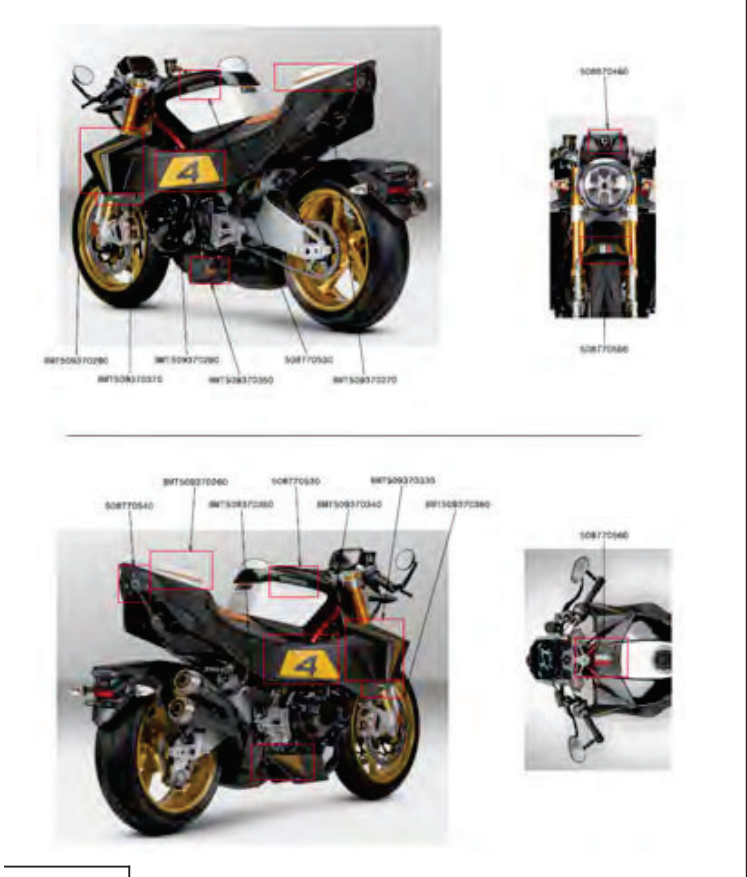
16.2 Fairings (lower parts)



16.3 Fairings (upper parts)

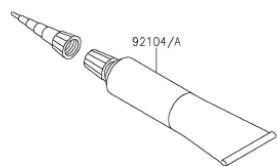
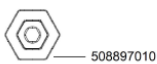
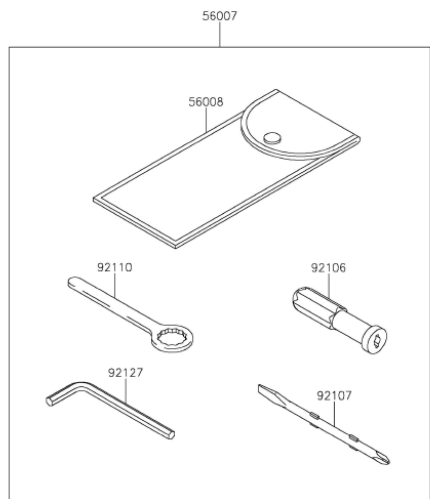


16.4 Fairings (tail & seat)

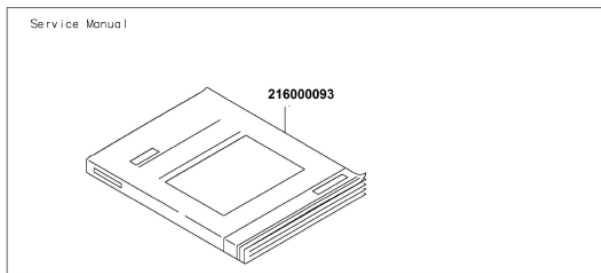


17 Stickers

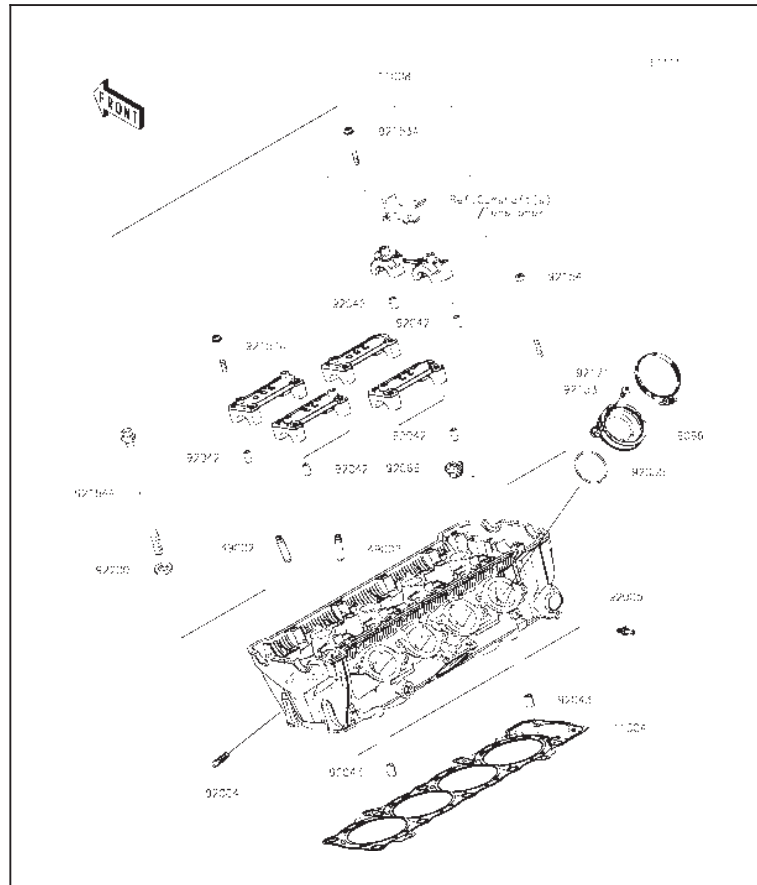
F2810



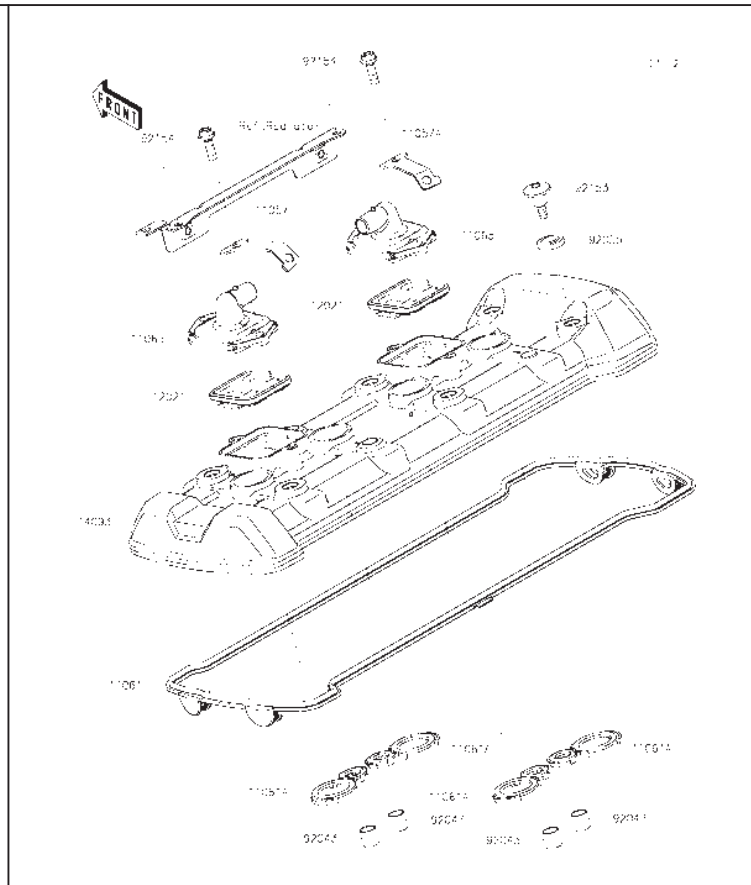
18 Owner's tool



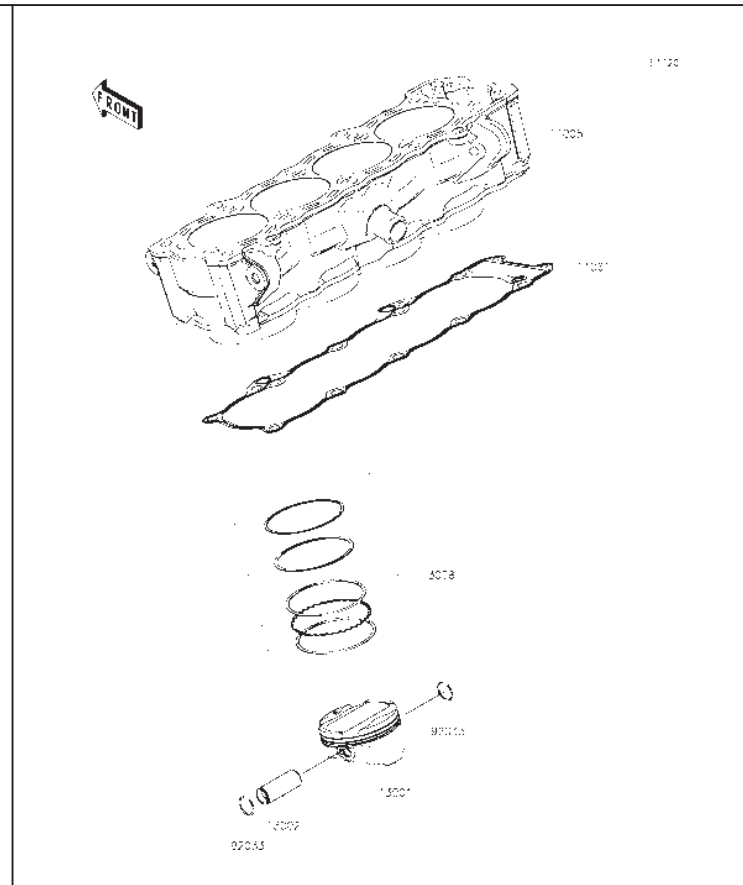
19 Manual



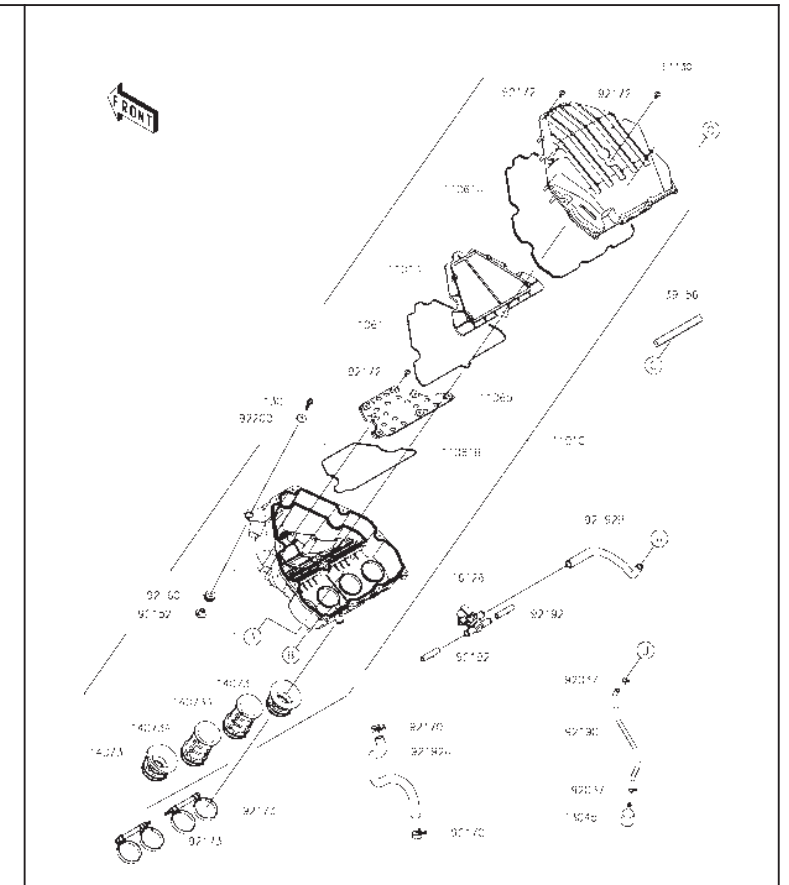
K1 Cylinder Head



K2 Cylinder Head Cover



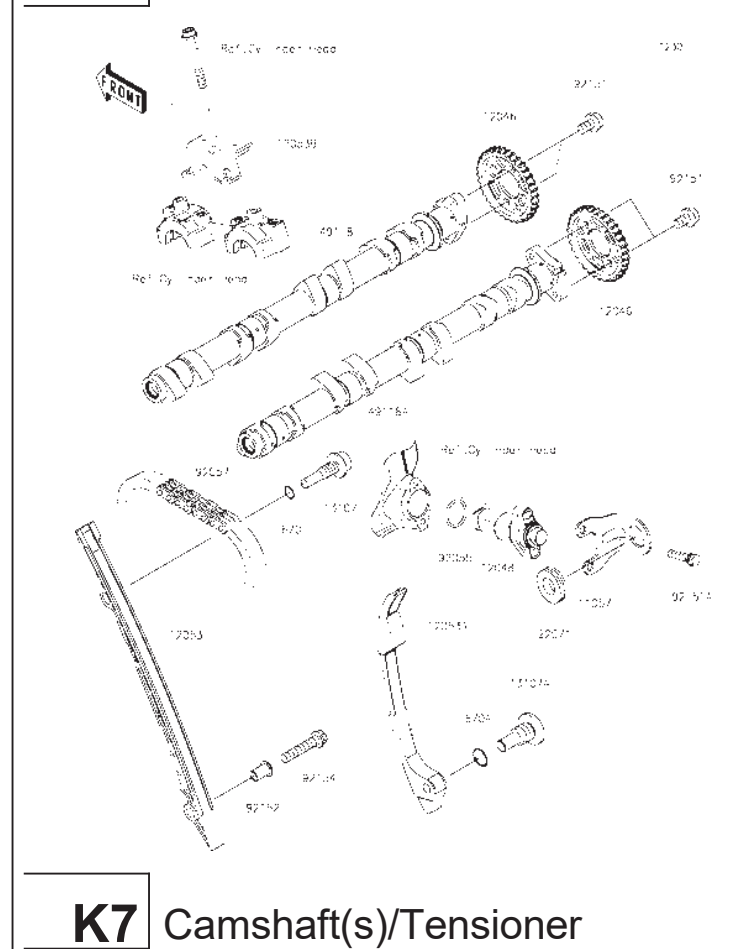
K3 Cylinder/Piston(s)



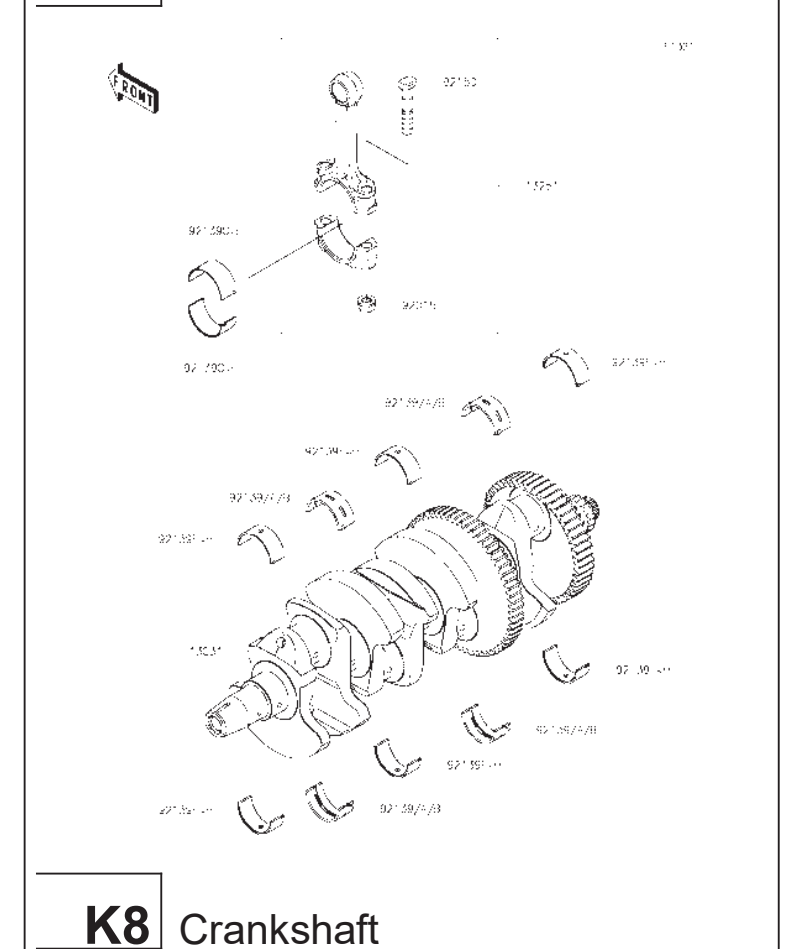
K4 Air Cleaner



K6 Valve(s)

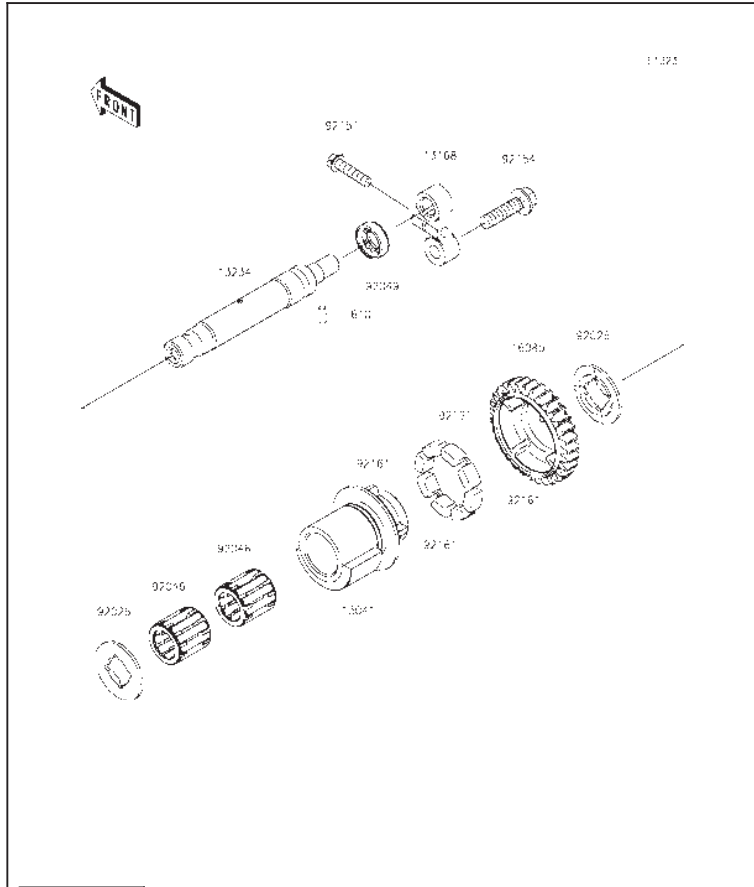


K7 Camshaft(s)/Tensioner

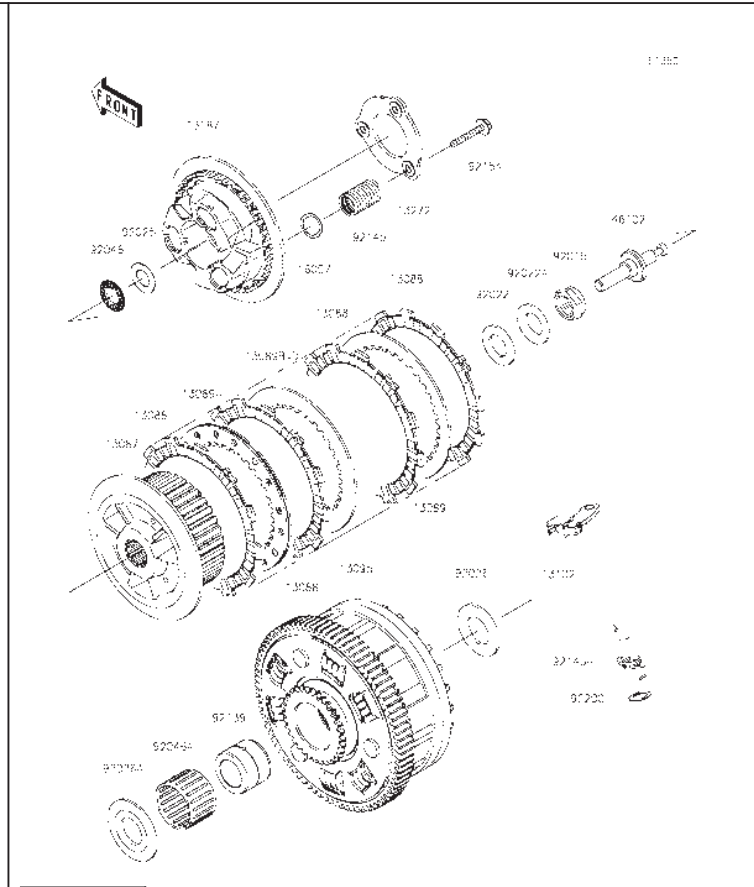


K8 Crankshaft

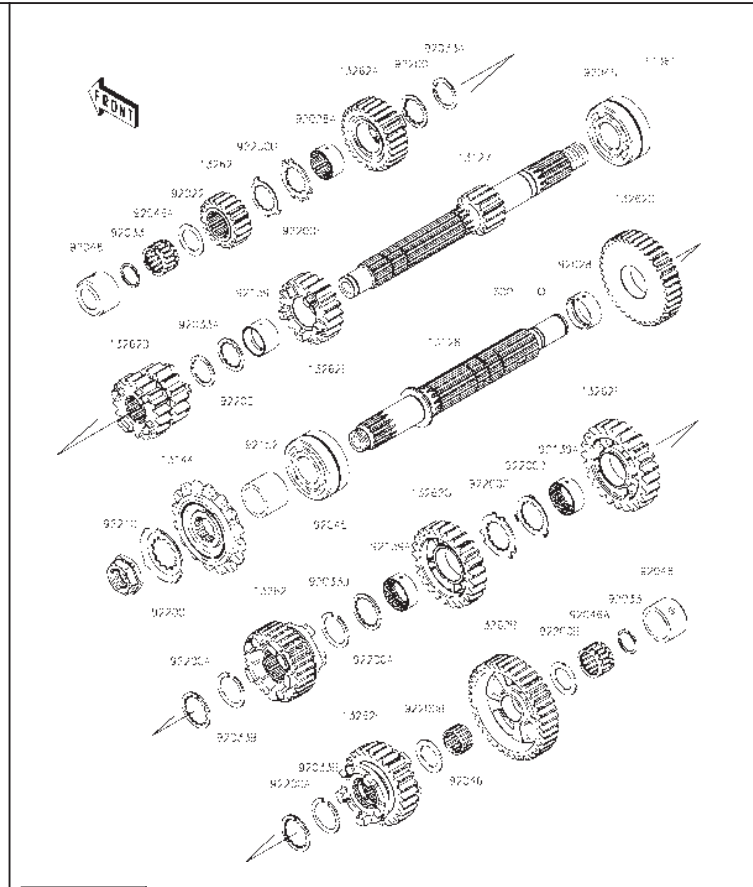
Pictorial Index NOTE: CLICK ON THE MINIATURE AND REACH THE CORRESPONDING CATALOGUE PAGE



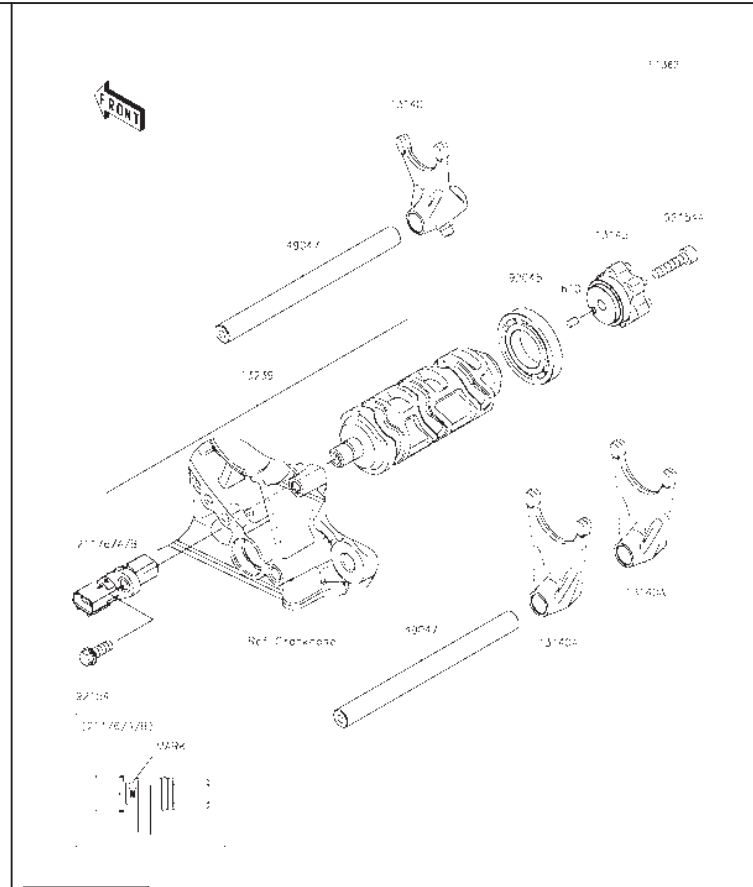
K9 Balancer



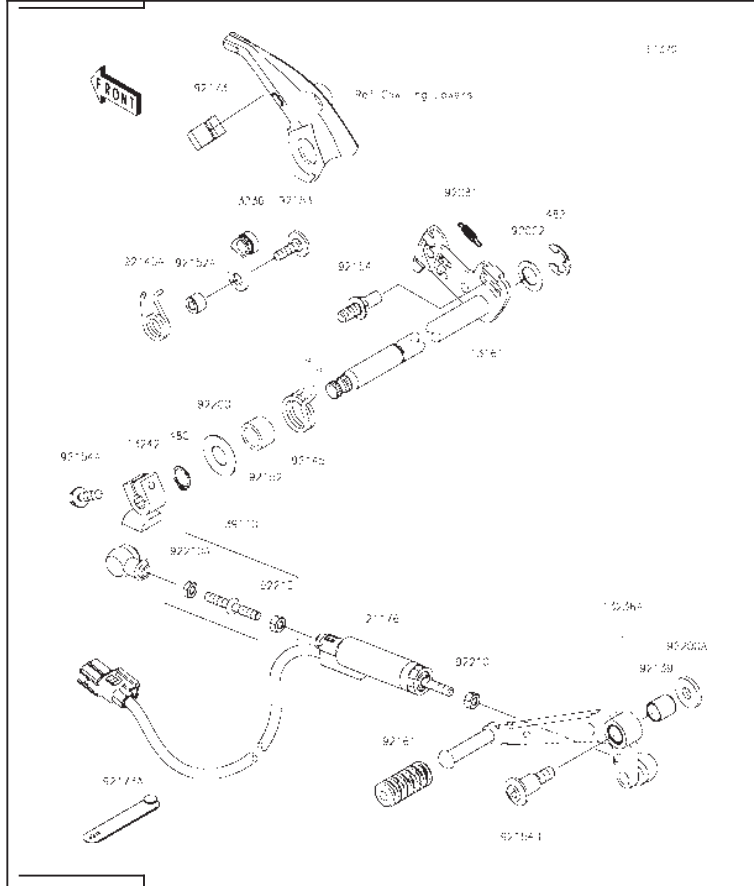
K10 Clutch



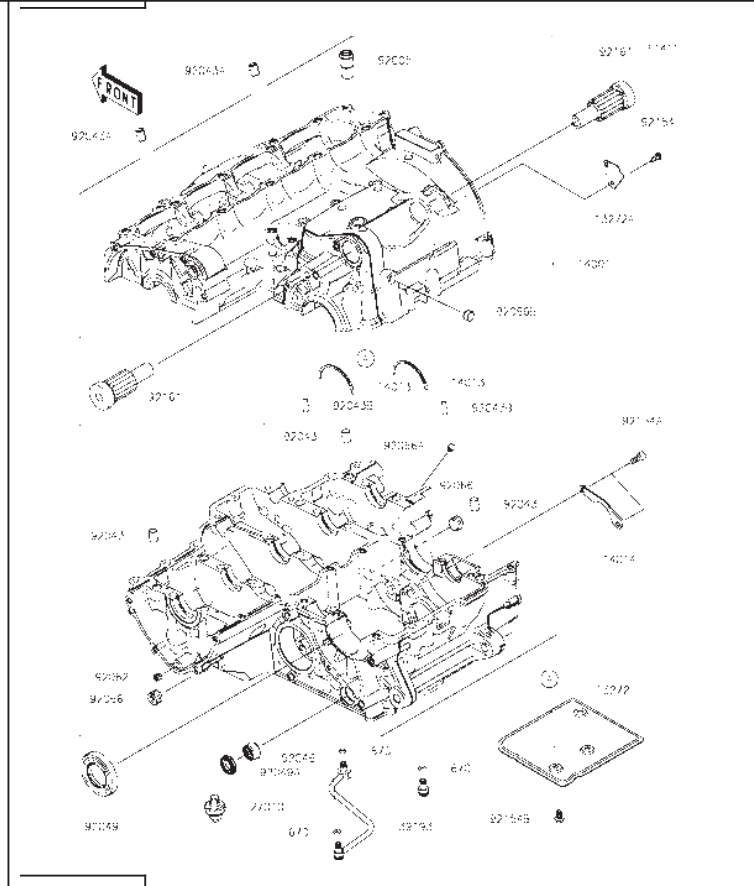
K11 Transmission



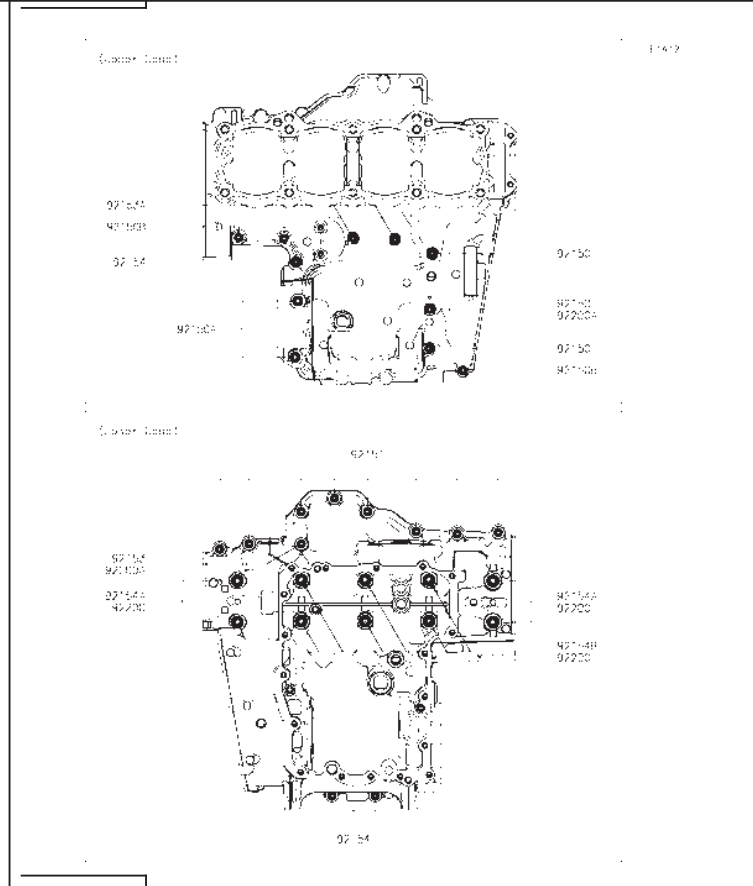
K12 Gear Change Drum/Shift Fork(s)



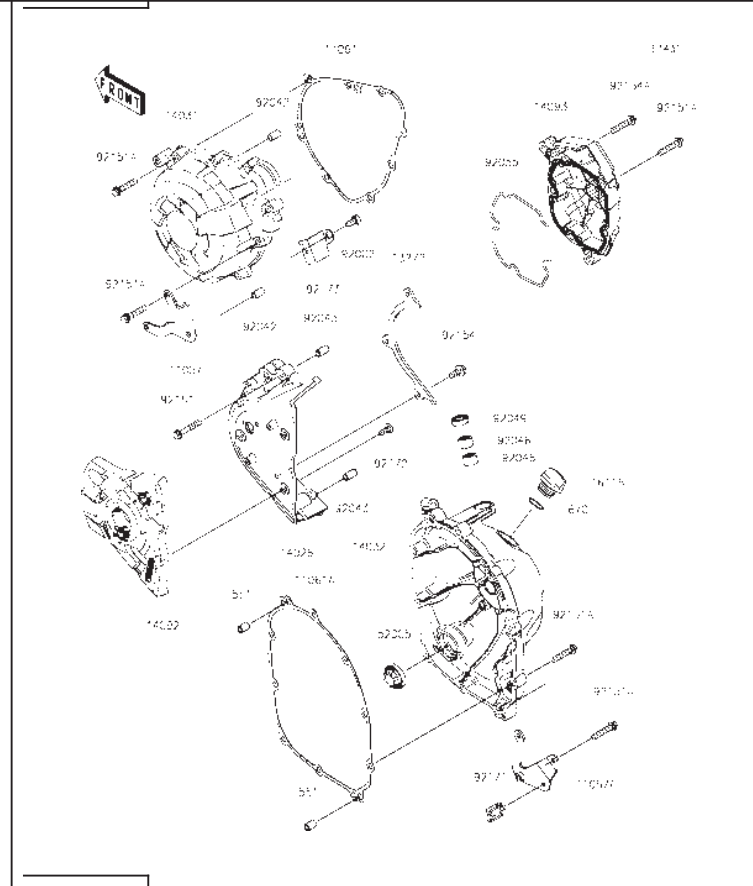
K13 Gear Change Mechanism



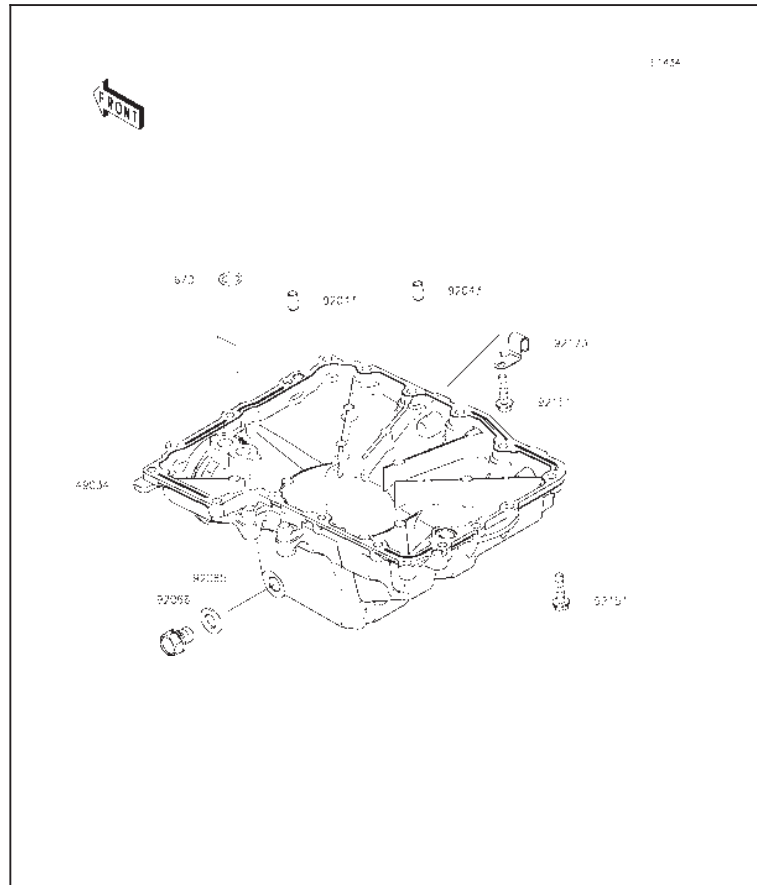
K14 Crankcase



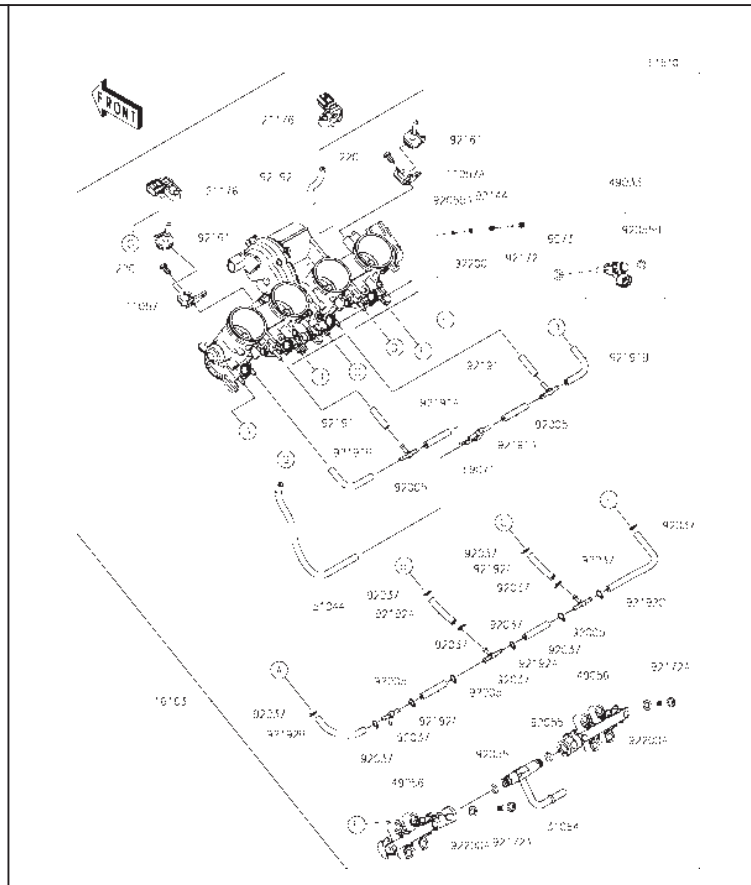
K15 Crankcase Bolt Pattern



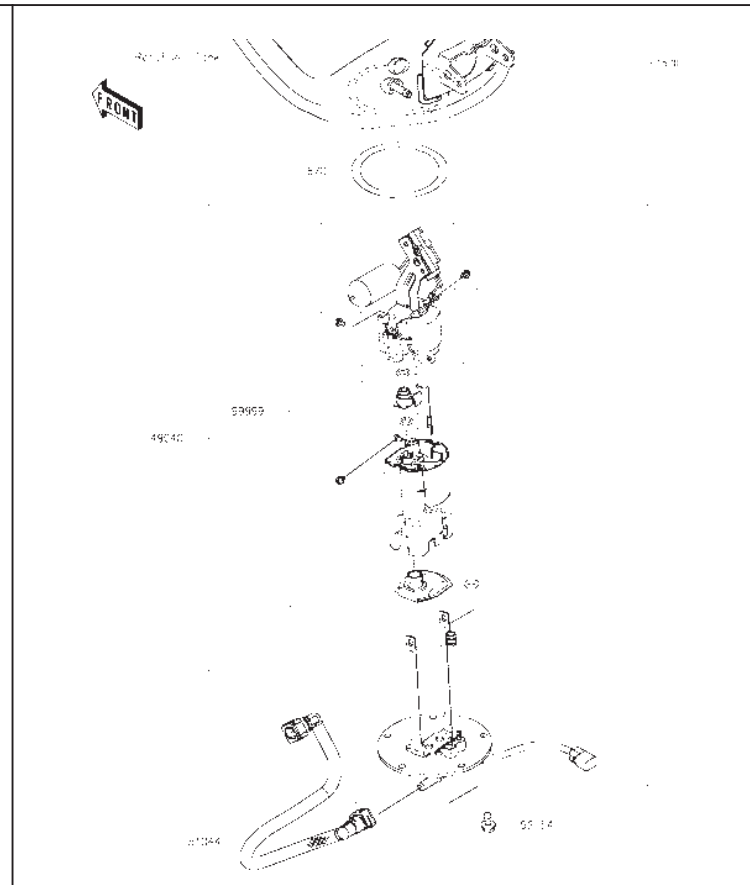
K16 Engine Cover(s)



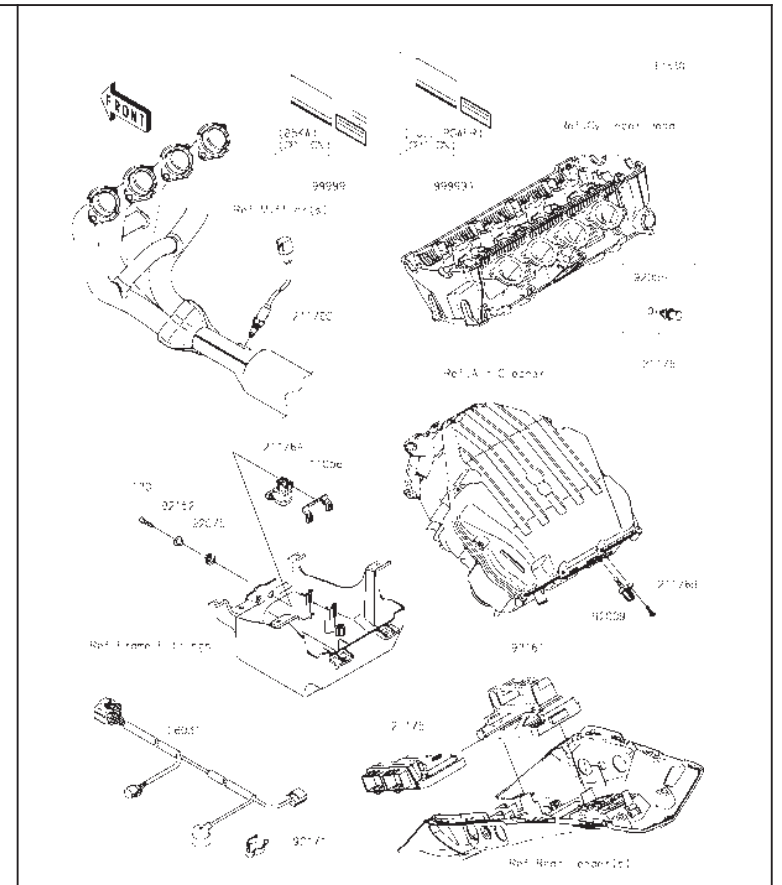
K17 Oil Pan



K18 Throttle



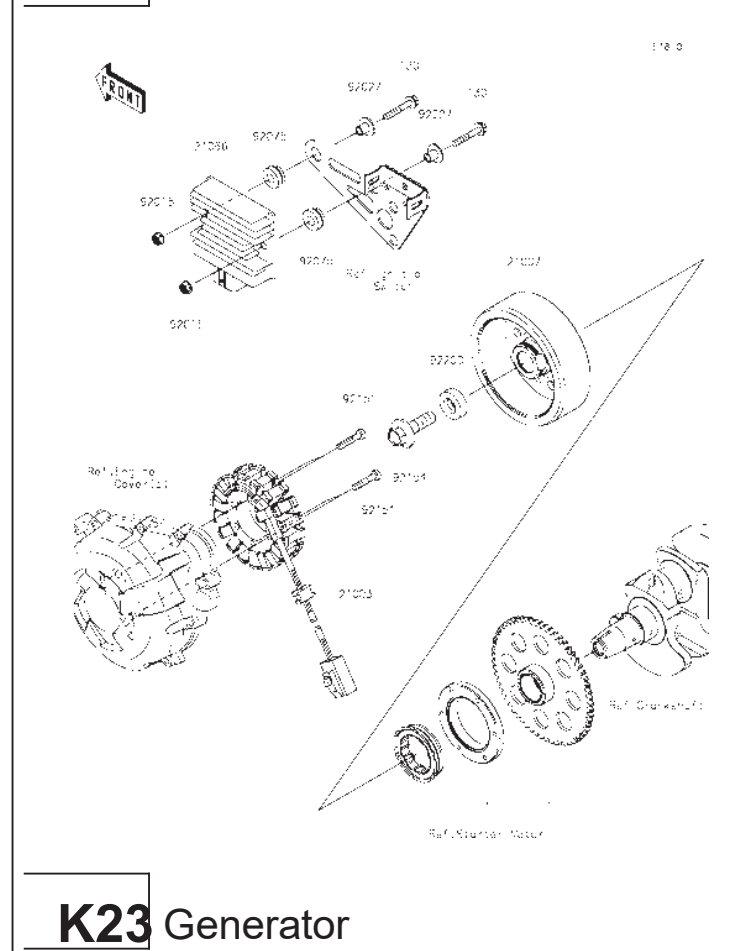
K19 Fuel Pump



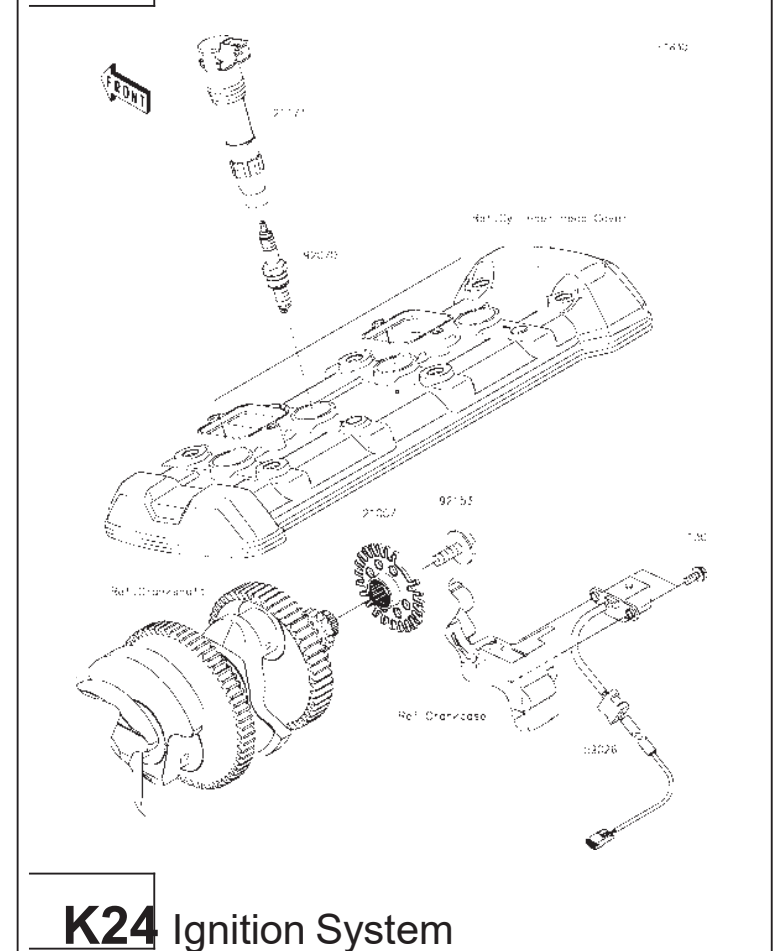
K20 Fuel Injection



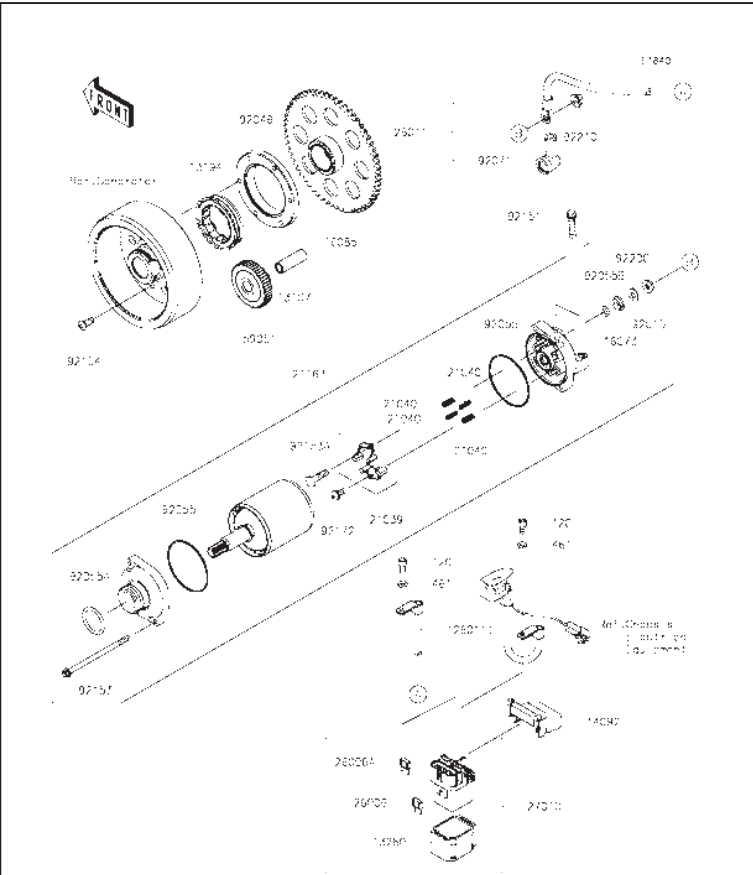
K22 Oil Pump



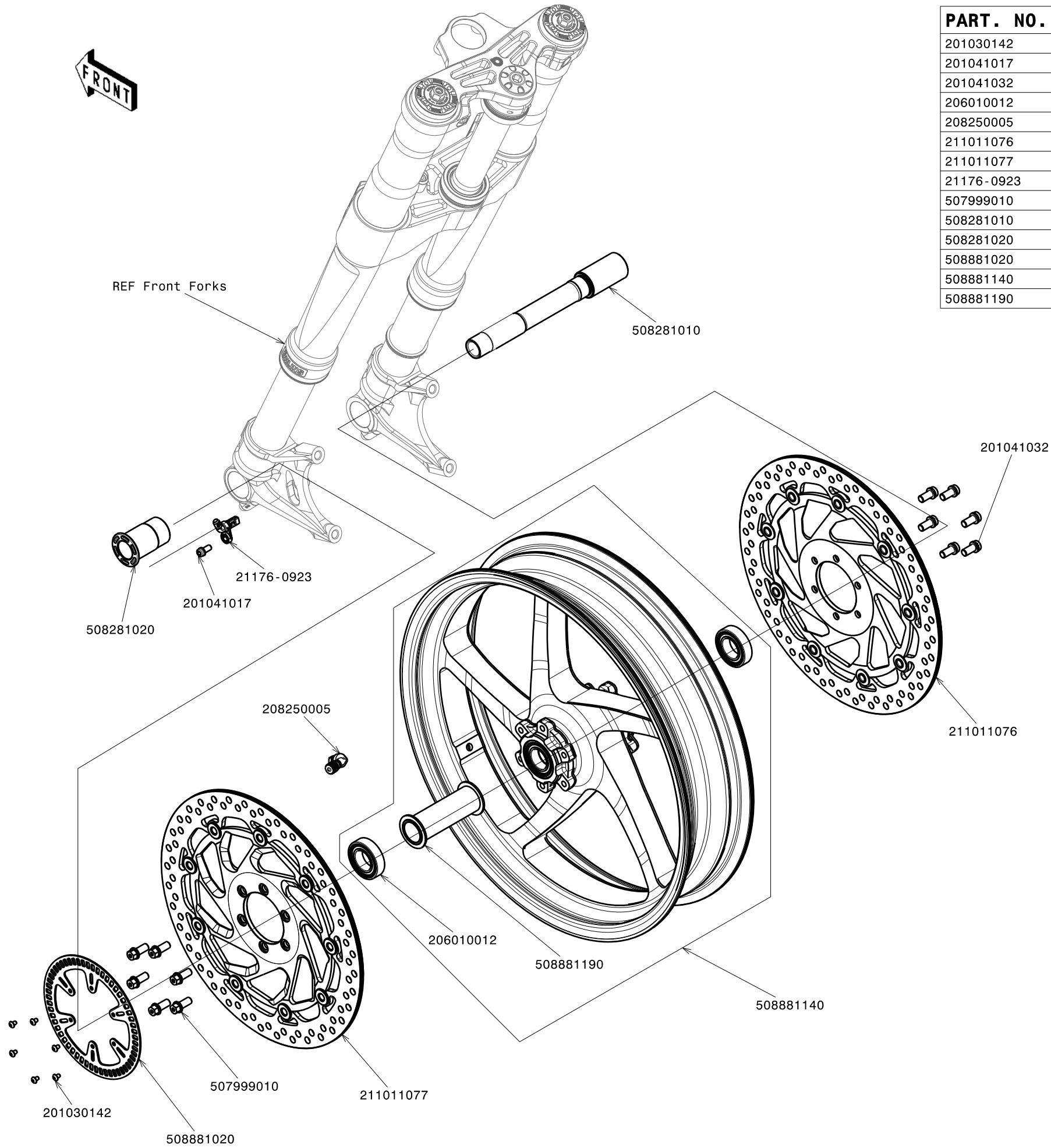
K23 Generator



K24 Ignition System

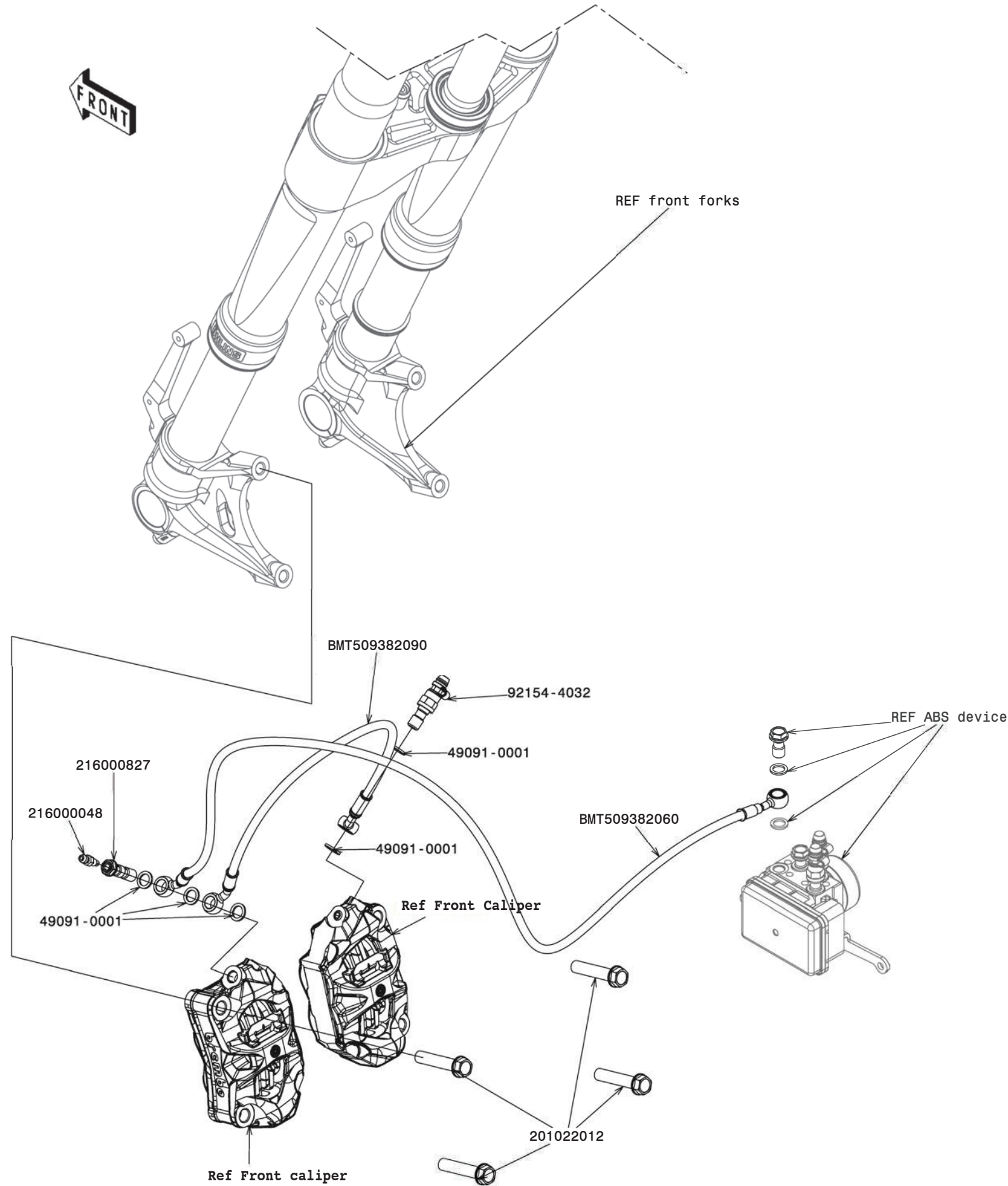


K25 Starter Motor



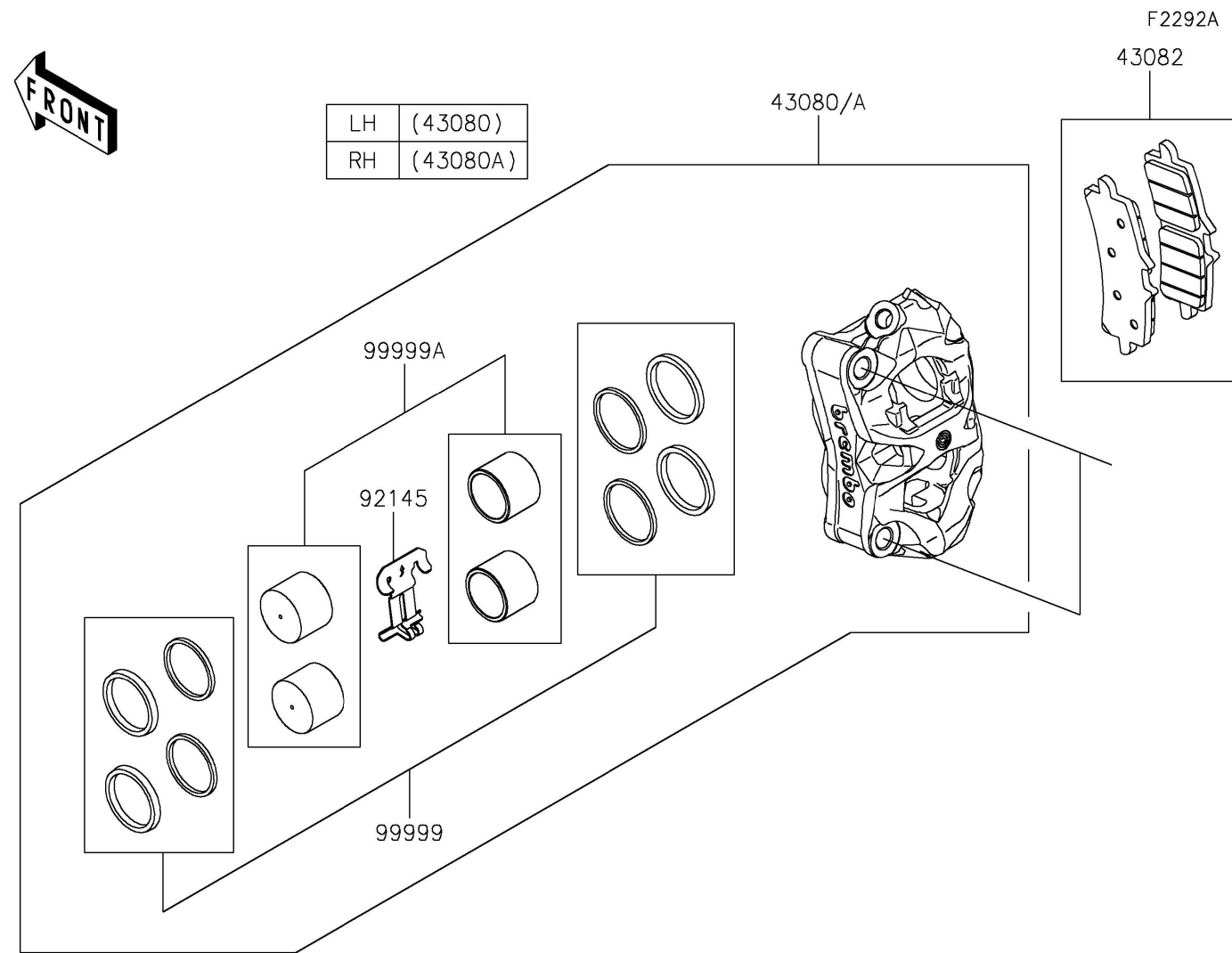
PART. NO.	DESCRIPTION	QUANTITY
201030142	Screw TBEI M4x6 UNI 7380 Inox A2	6
201041017	Screw M6x12 TCEI	1
201041032	Screw M8x16 TCEI	6
206010012	Ball bearing	2
208250005	Valve 90°	1
211011076	Front right brake disk 320mm	1
211011077	Front left brake disk 320mm	1
21176-0923	Speed sensor	1
507999010	Special screw for phonic wheel	6
508281010	Wheel axle	1
508281020	Spacer	1
508881020	Phonic wheel	1
508881140	Front complete rim 3,50\"X17\" gold	1
508881190	Spacer	1

1.2 FRONT WHEEL (BRAKE CALIPERS)

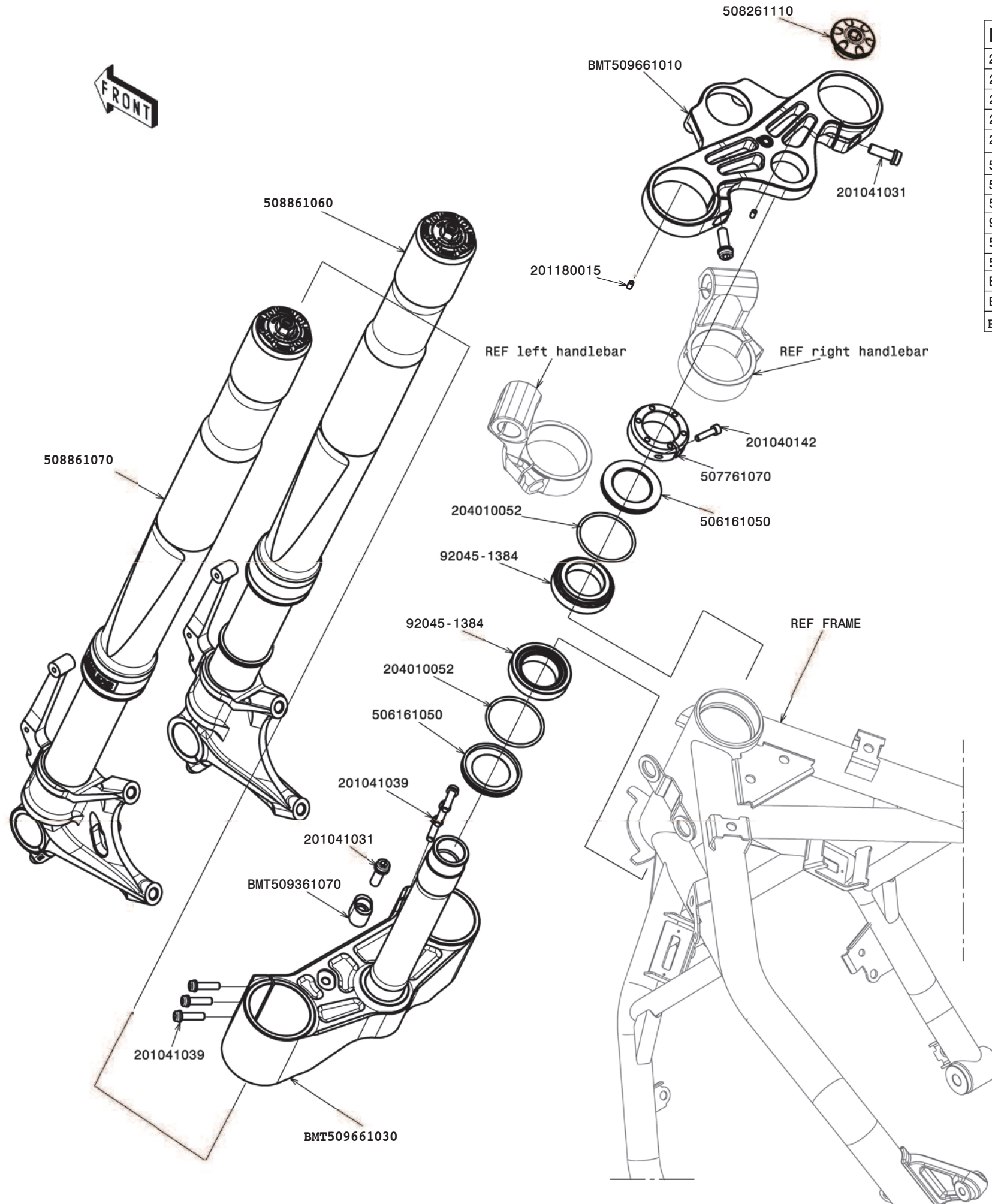


Part NO.	Description	Quantity
201022012	Screw M10x1,25 L50	4
216000048	Drain plug 6x1	1
216000827	Screw with drain plug (rif.7530)	1
49091-0001	Washer	5
92154-4032	Bolt banjo, 10x19	1
BMT509382060	Oil tube front-ABS	1
BMT509382090	Oil tube front calipers	1

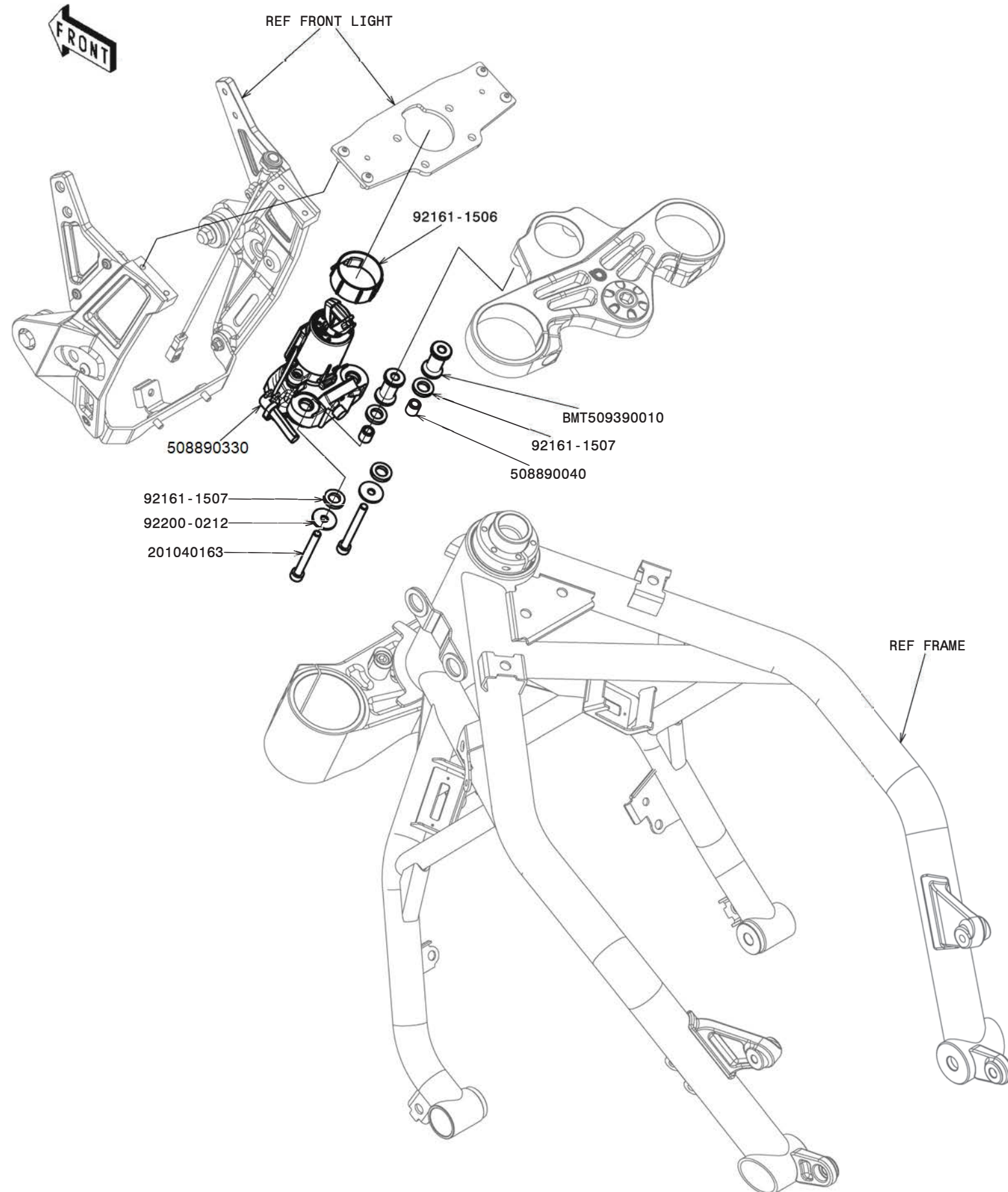
1.4 Front caliper sub-ASSY



Ref. No.	Part No.	Description	Quantity			
43080	43080-0227	CALIPER-SUB-ASSY,LH,GRAY	1			
43080A	43080-0228	CALIPER-SUB-ASSY,RH,GRAY	1			
43082	43082-0190	PAD-ASSY-BRAKE	2			
92145	92145-1892	SPRING	2			
99999	99999-0557	KIT.,DUST SEAL	2			
99999A	99999-0617	KIT.,CALIPER PISTON	2			

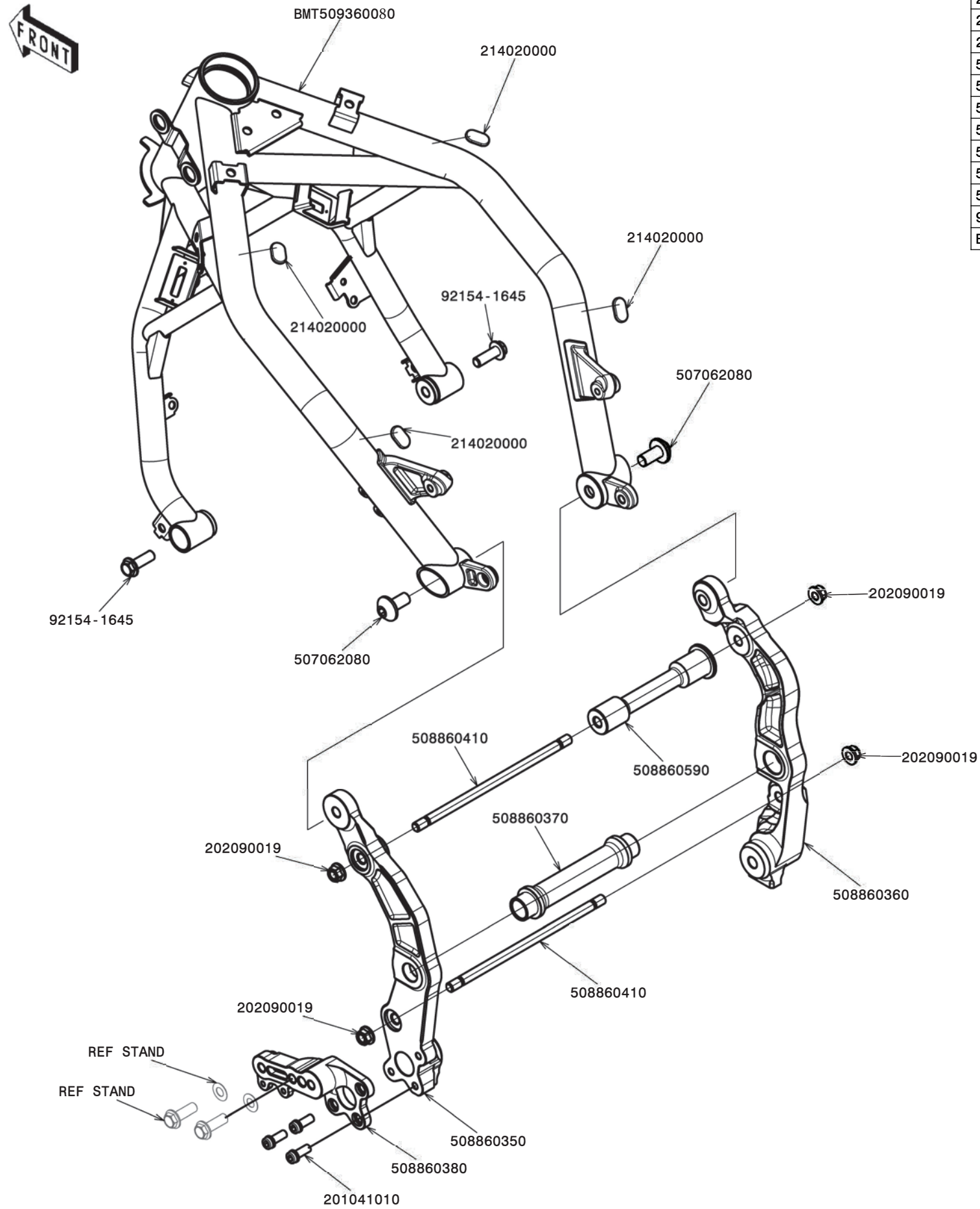


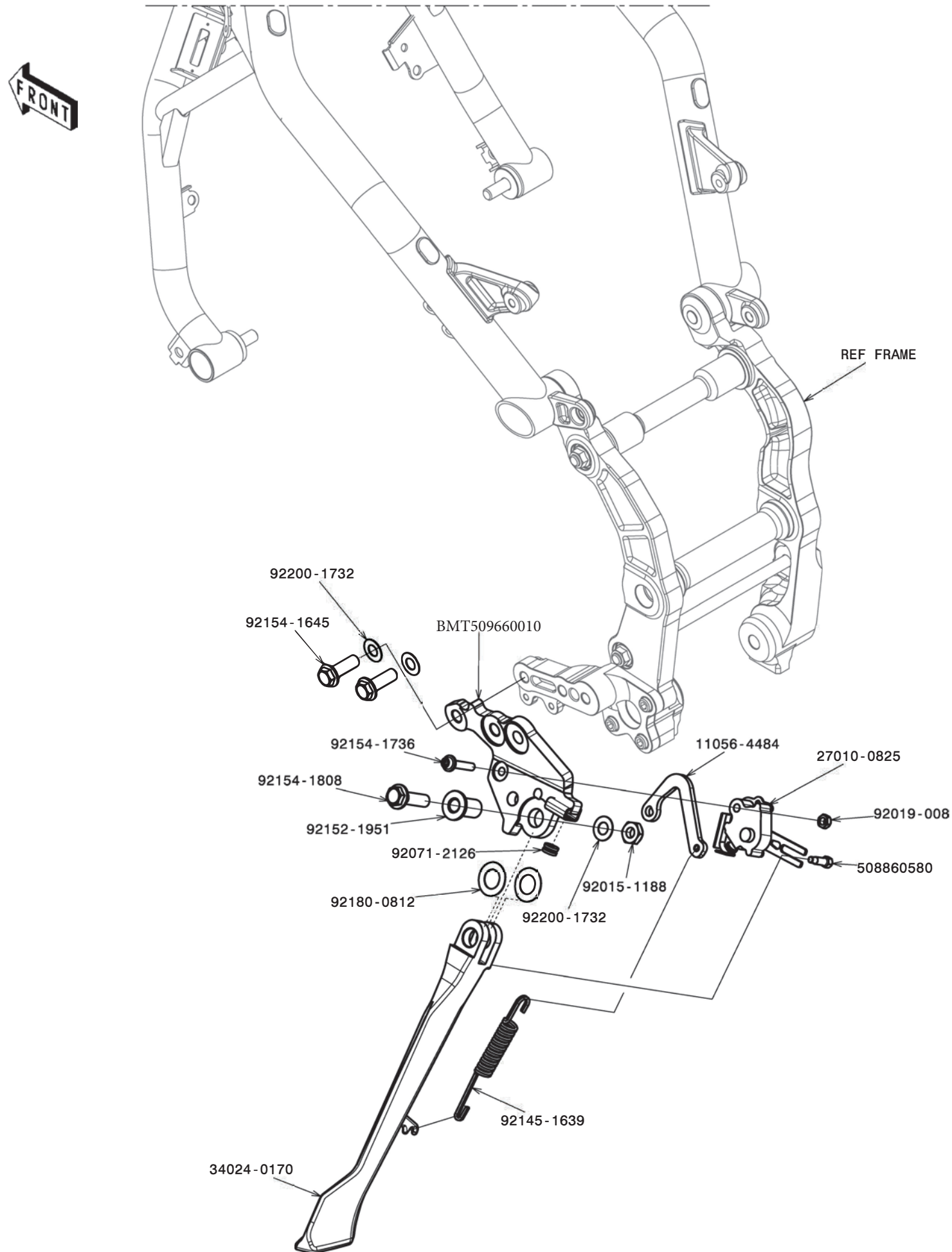
PART. NO.	DESCRIPTION	QUANTITY
201040142	Screw M5x20	1
201041031	Screw M8x22	3
201041039	Screw M6x22	6
201180015	Screw M4x8	2
204010052	O-ring	2
506161050	Dust cover	2
507761070	Ferrule	1
508261110	Steering screw	1
92045-1384	Ball bearing	2
508861070	LH Ohlins fork	1
508861060	RH Ohlins fork	1
BMT509361070	Steering stopper	1
BMT509661010	Upper fork holder	1
BMT509661030	Under fork holder	1



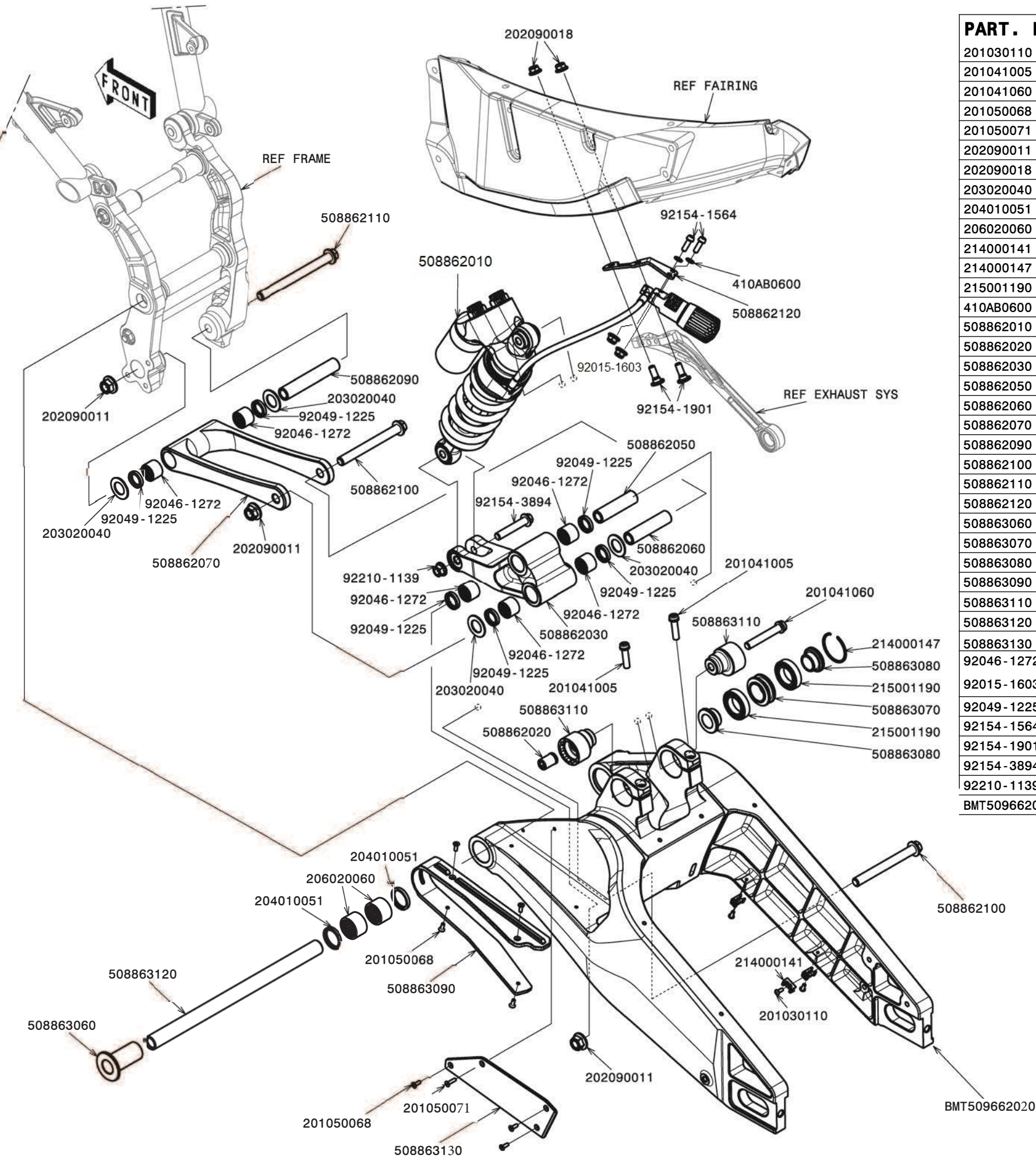
PART. NO.	DESCRIPTION	QUANTITY
201040163	Screw	2
508890040	Spacer	2
508890330	Switch assy (includes 2 keys and tank lock)	1
92161-1506	Damper	1
92161-1507	Damper	4
92200-0212	Washer	2
BMT509390010	Spacer	2

PART. NO.	DESCRIPTION	QUANTITY
201041010	Screw TCEI M8x20	3
202090019	Nut	4
214020000	Rubber insertion	4
507062080	Screw	2
508860350	Left plate	1
508860360	Right plate	1
508860370	Spacer	1
508860380	Plate	1
508860410	Pin	2
508860590	Spacer	1
92154-1645	Screw	2
BMT509360080	Frame	1



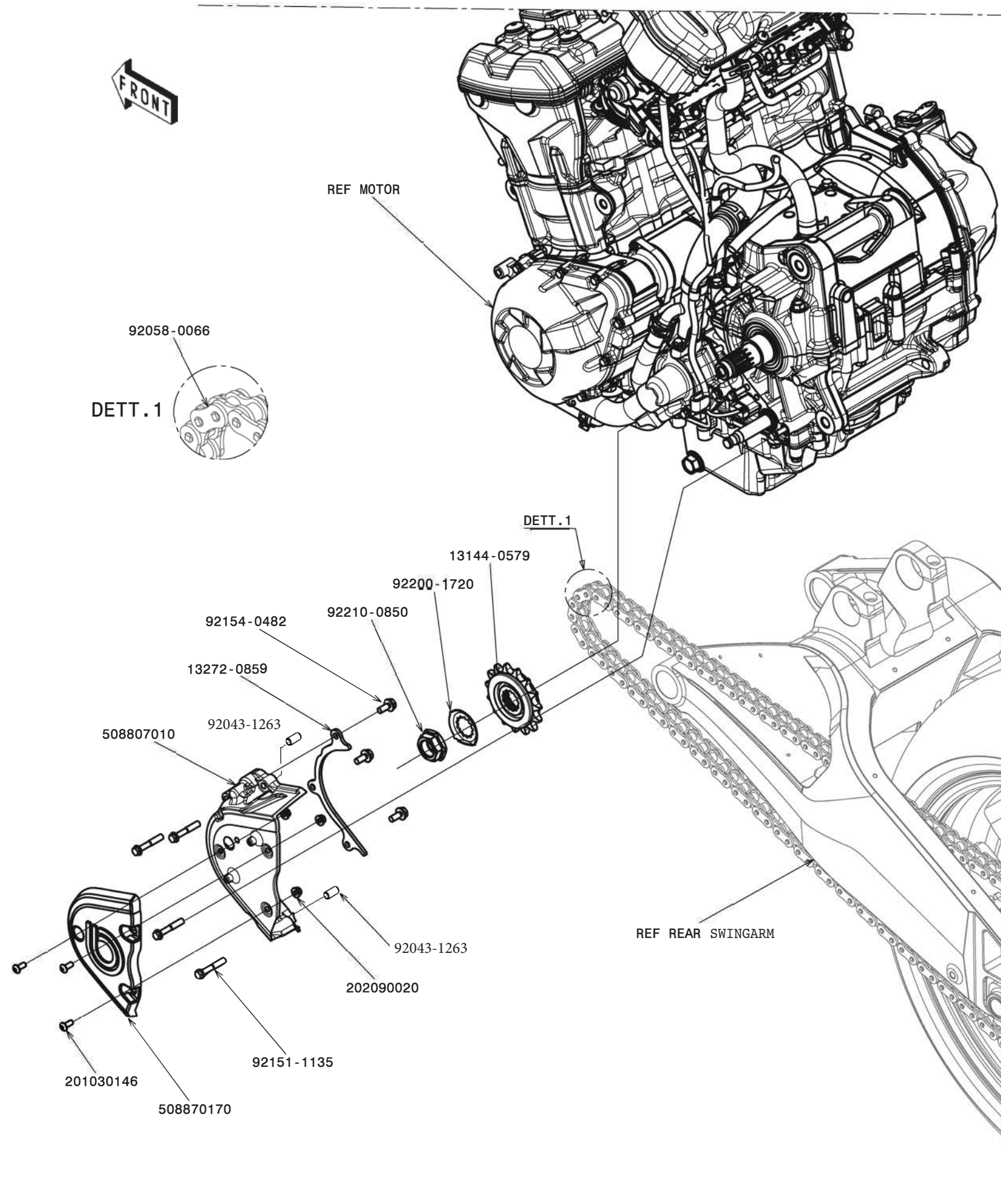


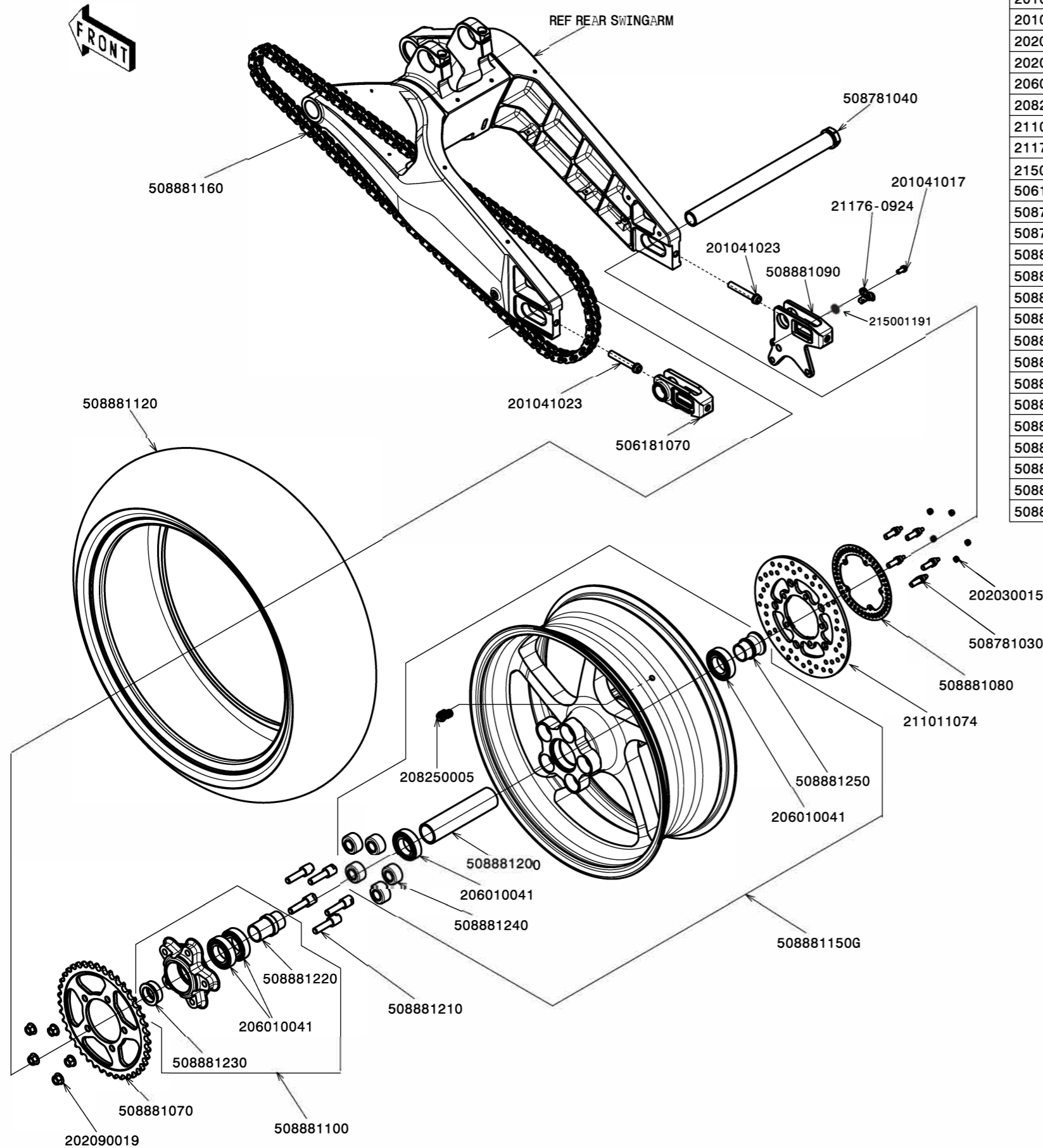
PART. NO.	DESCRIPTION	QUANTITY
11056-4484	Plate	1
27010-0825	Stand sensor	1
BMT509660010	Stand support	1
34024-0170	Stand	1
508860580	Pin	1
92015-1188	Nut	1
92019-008	Nut	1
92071-2126	Damper	1
92145-1639	Spring	1
92152-1951	Collar	1
92154-1645	Screw	2
92154-1736	Screw	1
92154-1808	Screw	1
92180-0812	Shim	2
92200-1732	Washer	3



PART. NO.	DESCRIPTION	QUANTITY
201030110	Screw M4x10 TBEI	3
201041005	Screw M8x30 TCEI	2
201041060	Screw M10x62x1.25 TCEI	1
201050068	Screw M4x12 TSPEI	7
201050071	Screw M4x16 TSPEI	1
202090011	Nut M12X1.25	3
202090018	Nut M8	2
203020040	Washer	4
204010051	Sealings ring	2
206020060	Bearing needle	2
214000141	Plate	3
214000147	Snap-ring	1
215001190	Ball bearing 61905-2RS1	2
410AB0600	Washer	2
508862010	Rear Ohlins shock absorber	1
508862020	Special Nut M10X1,25	1
508862030	Link set (with 4x Bearing needle, 4x seal oil)	1
508862050	Spacer d12-D18-L68	1
508862060	Spacer d12-D18-L74	1
508862070	Tie rod set (with 2x Bearing needle , 2x seal oil)	1
508862090	Spacer d12-D18-L100	1
508862100	Screw TEF M12X1,25-L112	2
508862110	Screw TEF M12X1,25-L135	1
508862120	Bracket	1
508863060	LH Spacer	1
508863070	Spacer d25-D42-H17	1
508863080	RH Spacer	2
508863090	Pad	1
508863110	Eccentric	2
508863120	Pin	1
508863130	Pad	1
92046-1272	Bearing needle	6
92015-1603	Nut	2
92049-1225	Seal oil	6
92154-1564	Screw	2
92154-1901	Screw	2
92154-3894	Bolt M10x1,25 L55	1
92210-1139	Nut M10x1,25	1
BMT509662020	Rear swingarm SET (with b. needles, seals, ball bearings, spacer, snap-ring)	1

PART. NO.	DESCRIPTION	QUANTITY
13144-0579	Sproket	1
13272-0859	Plate	1
201030146	Screw TBEI M5x12	3
202090020	Nut	3
508807010	Aluminium cover	1
508870170	Carbon cover	1
92058-0066	Joint chain	1
92043-1263	Pin	2
92151-1135	Bolt M6x35	4
92154-0482	Bolt M6x14	3
92200-1720	Washer	1
92210-0850	Nut	1

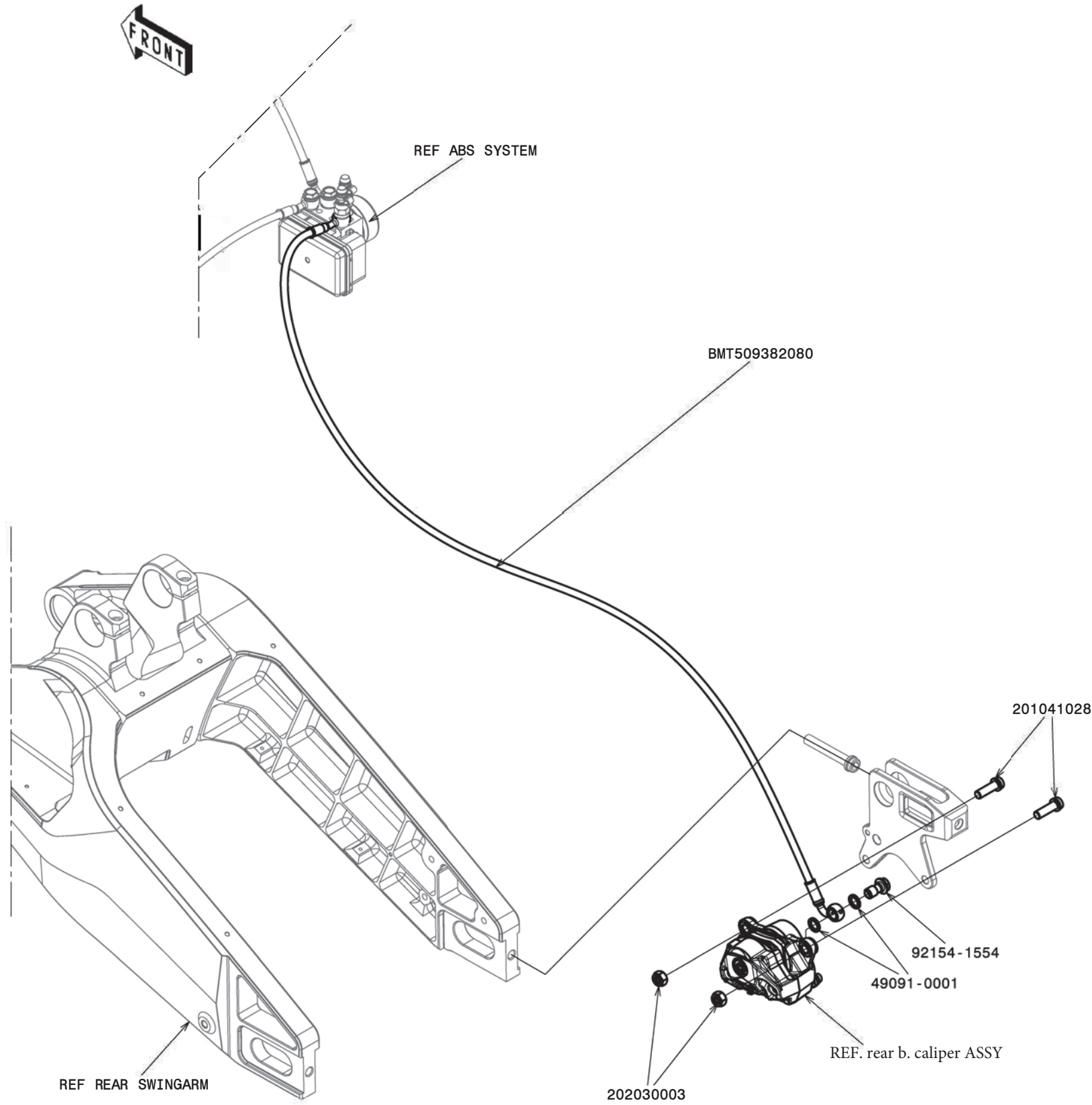




PART. NO.	DESCRIPTION	QUANTITY
201041023	Screw M10x1,25 L60	2
201041017	Screw	1
202030015	Nut M5	5
202090019	Nut M10x1,25	5
206010041	Ball bearing	4
208250005	Valve 90°	1
211011074	Rear brake disk	1
21176-0924	Speed sensor	1
215001191	Bush	1
506181070	LH chain adjuster	1
508781040	Rear wheel axle	1
508781030	Screw	5
508881070	Sprocket chain	1
508881080	Phonic wheel	1
508881090	RH chain adjuster	1
508881100	Crown holder set	1
508881120	Rear tyre 190/50	1
508881150G	Gold rear wheel set	1
508881160	Drive chain EK525ZX2 - 110 link	1
508881200	Internal spacer	1
508881210	Pin	5
508881220	Internal bush	1
508881230	External bush	1
508881240	Flexible rubber coupling	5
508881250	Spacer	1

5.3 REAR WHEEL (REAR BRAKE CALIPER)

PART. NO.	DESCRIPTION	QUANTITY
201041028	Screw M8x1,25	2
202030003	Nut M8	2
49091-0001	Washer	2
92154-1554	Bolt banjo	1
BMT509382080	Oil tube (rear caliper)	1

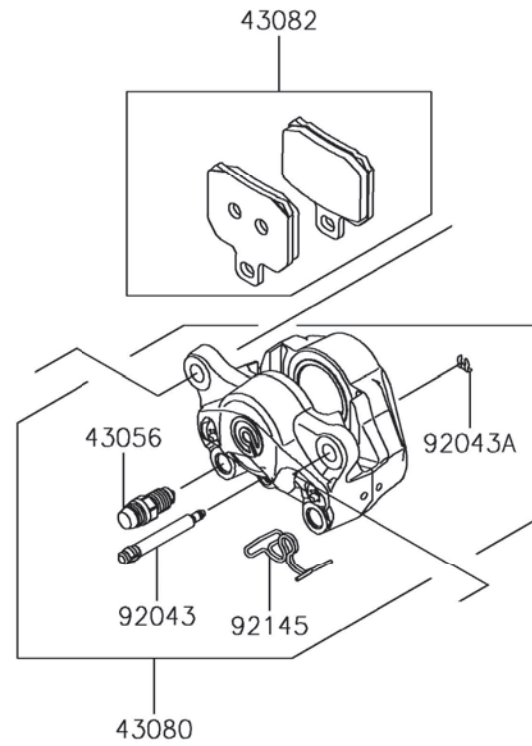


5.4 Rear Brake caliper ASSY



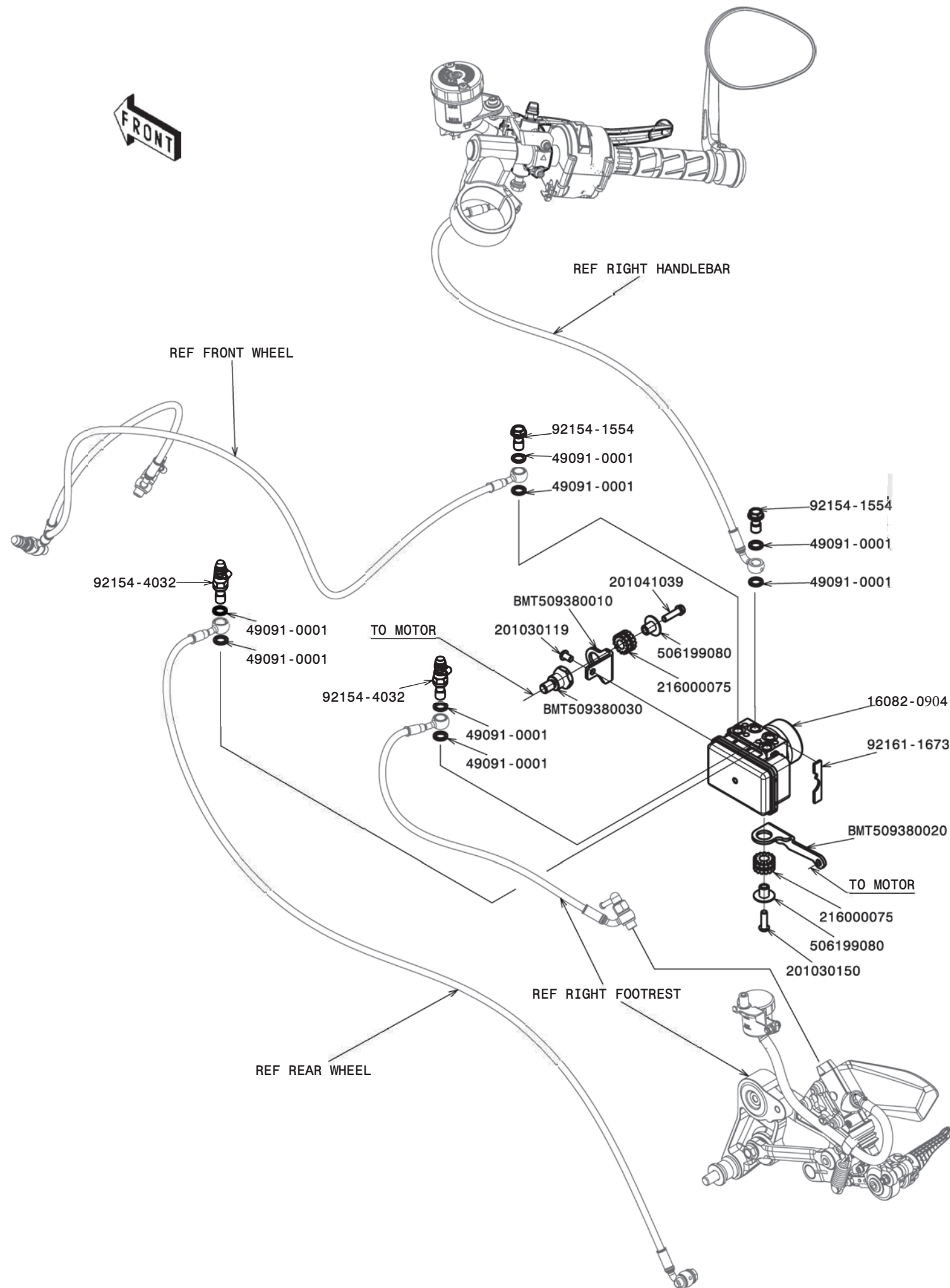
Ref. No.	Part No.	Description	Quantity			

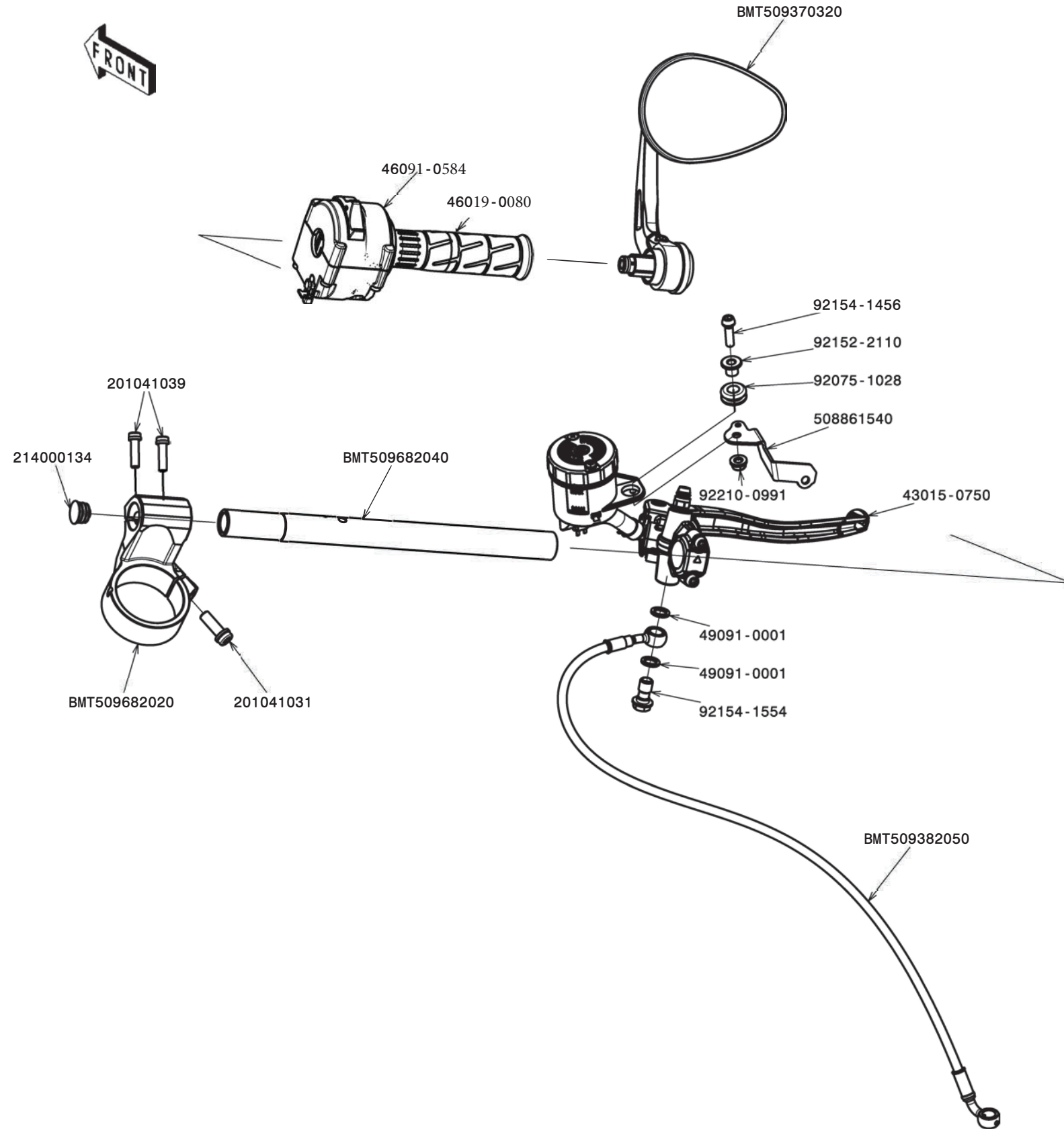
43056	43056-0020	BREATHER-BRAKE	1			
43080	43080-0176-51J	CALIPER-SUB-ASSY,RR,GRAY	1			
43082	43082-0158	PAD-ASSY-BRAKE	1			
92043	92043-0863	PIN,PAD	1			
92043A	92043-0864	PIN,CLIP	1			
92145	92145-1685	SPRING	1			



6. ABS SYSTEM

PART. NO.	DESCRIPTION	QUANTITY
16082-0904	ABS pump	1
201030119	Screw	1
201030150	Screw	1
201041039	Screw	1
216000075	Damper	2
49091-0001	Washer	8
506199080	Bush	2
92154-1554	Bolt banjo 10x19	2
92154-4032	Bolt banjo	2
92161-1673	Damper	1
BMT509380010	Support	1
BMT509380020	Support	1
BMT509380030	Screw M10 - M6	1

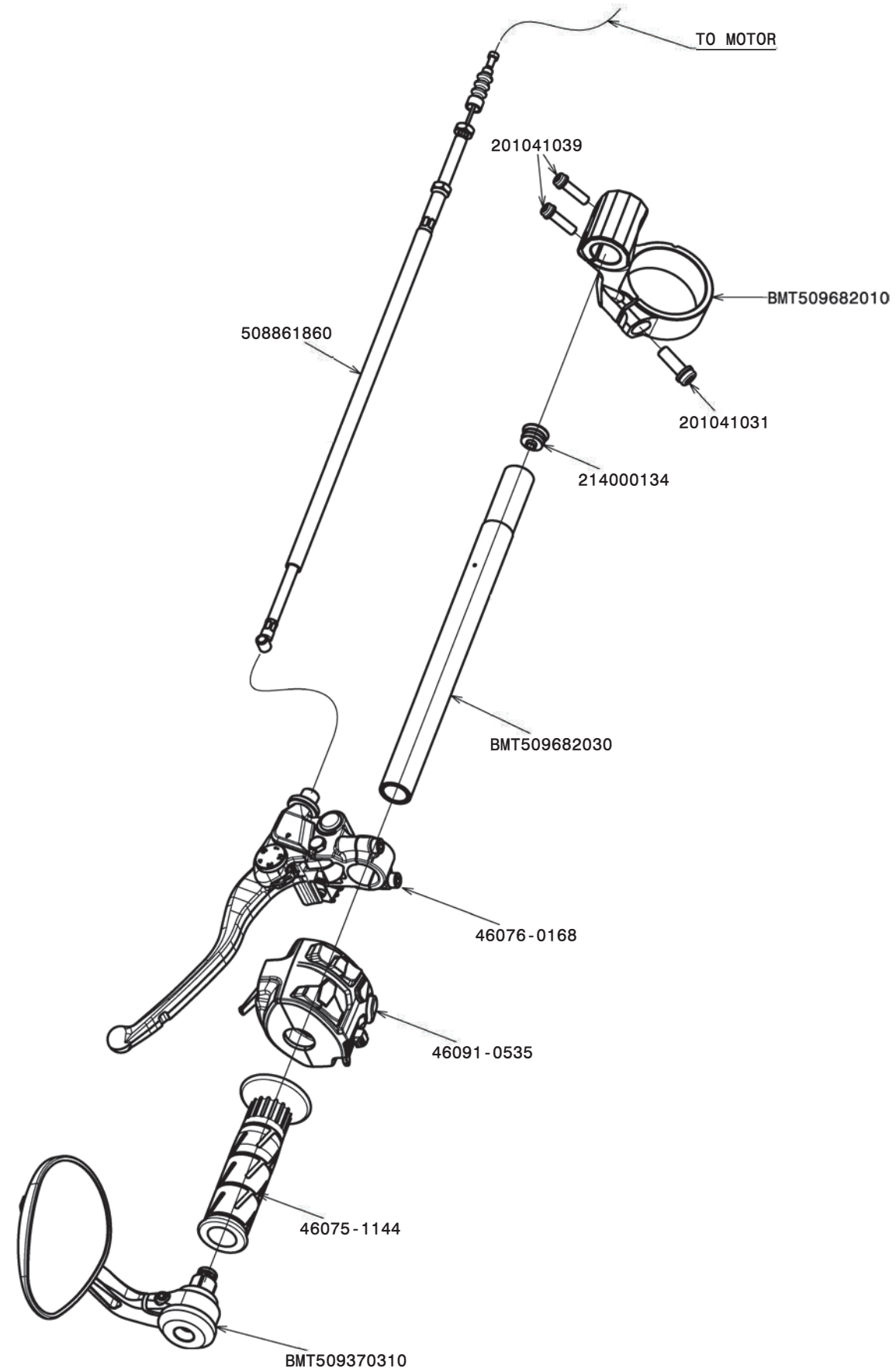




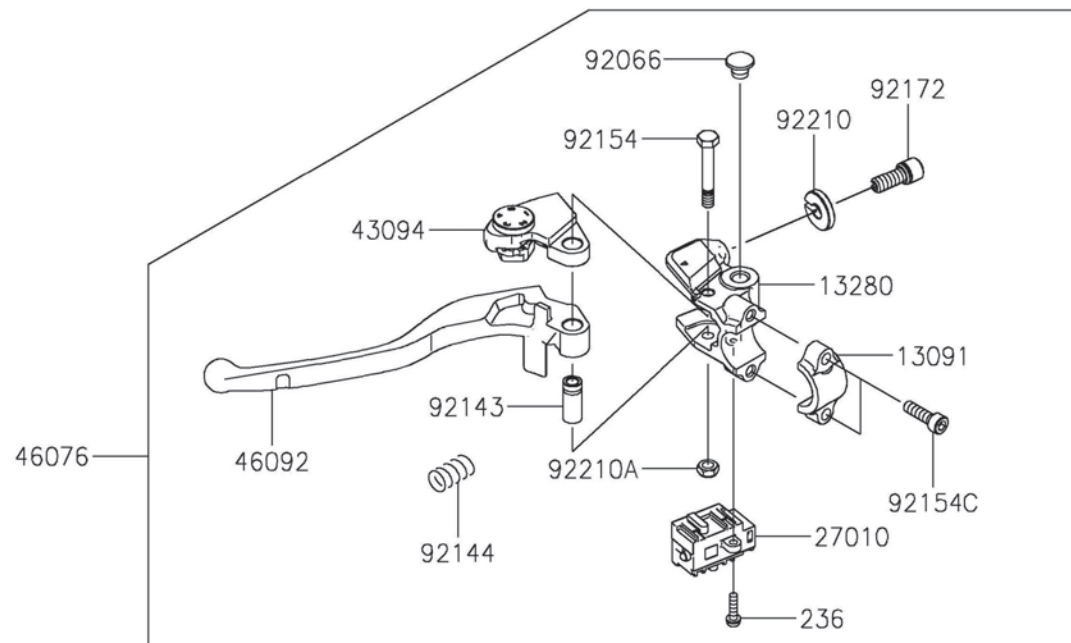
PART. NO.	DESCRIPTION	QUANTITY
201041031	Screw	1
201041039	Screw	2
214000134	Handlebar cap	1
43015-0750	Right brake pump complete set	1
46019-0080	Throttle grip	1
49091-0001	Washer	2
46091-0584	Throttle handle switch	1
508861540	Support	1
92075-1028	Damper	1
92152-2110	Collar	1
92154-1456	Screw	1
92154-1554	Bolt banjo 10x19	1
92210-0991	Nut	1
BMT509370320	Right mirror complete set (external installation) / left (internal installation)	1
BMT509382050	Tube	1
BMT509682020	Right handlebar support	1
BMT509682040	Right handlebar pipe	1

7.2 LEFT HANDLEBAR

PART. NO.	DESCRIPTION	QUANTITY
201041031	Screw	1
201041039	Screw	2
214000134	Handlebar cap	1
46075-1144	Grip	1
46076-0168	Clutch lever complete set	1
46091-0535	Left handle switch	1
508861860	Clutch cable	1
BMT509370310	Left mirror complete set (external installation) / right (internal installation)	1
BMT509682010	Left handlebar support	1
BMT509682030	Left handlebar pipe	1

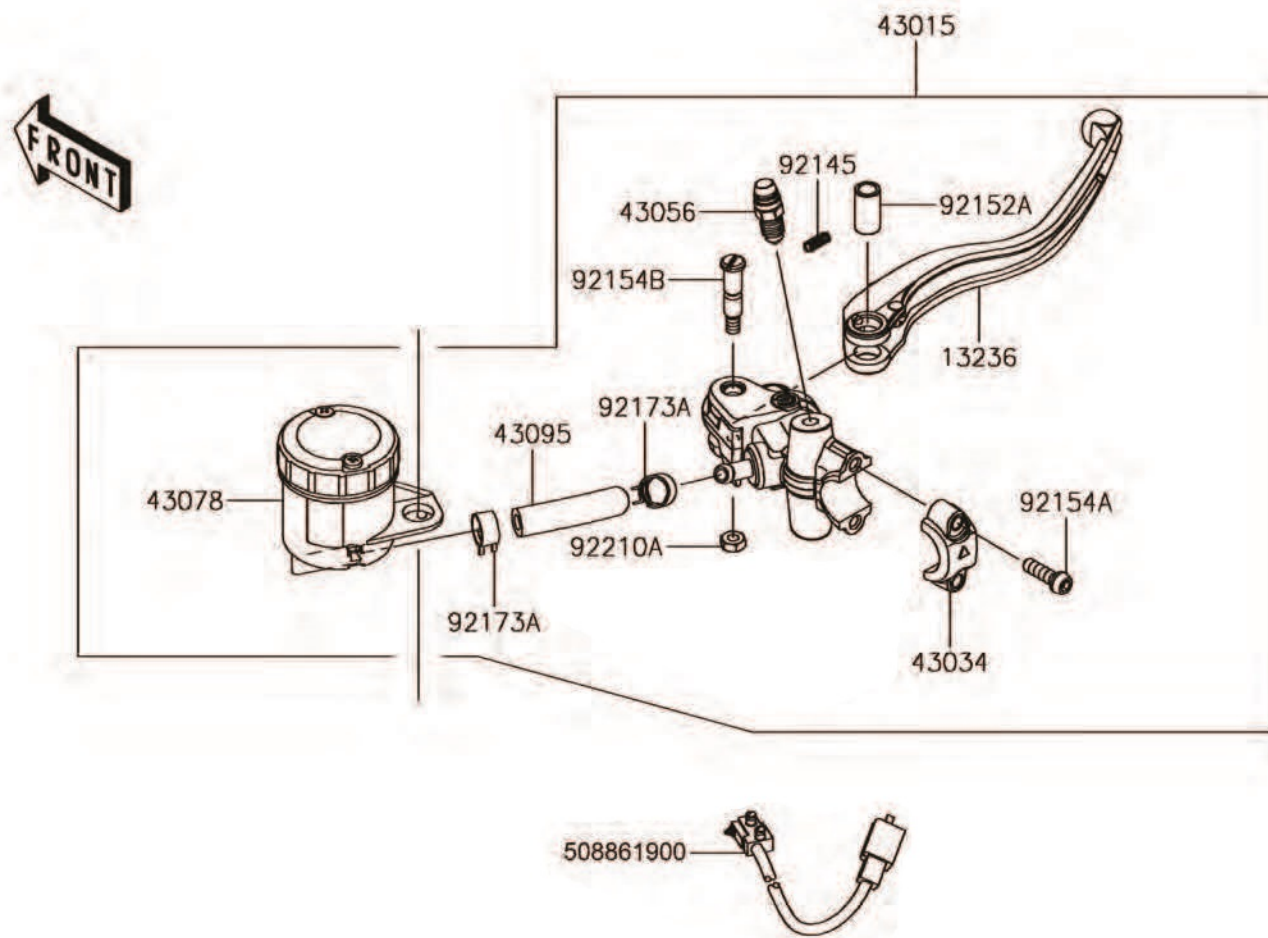


7.3 Clutch lever ASSY

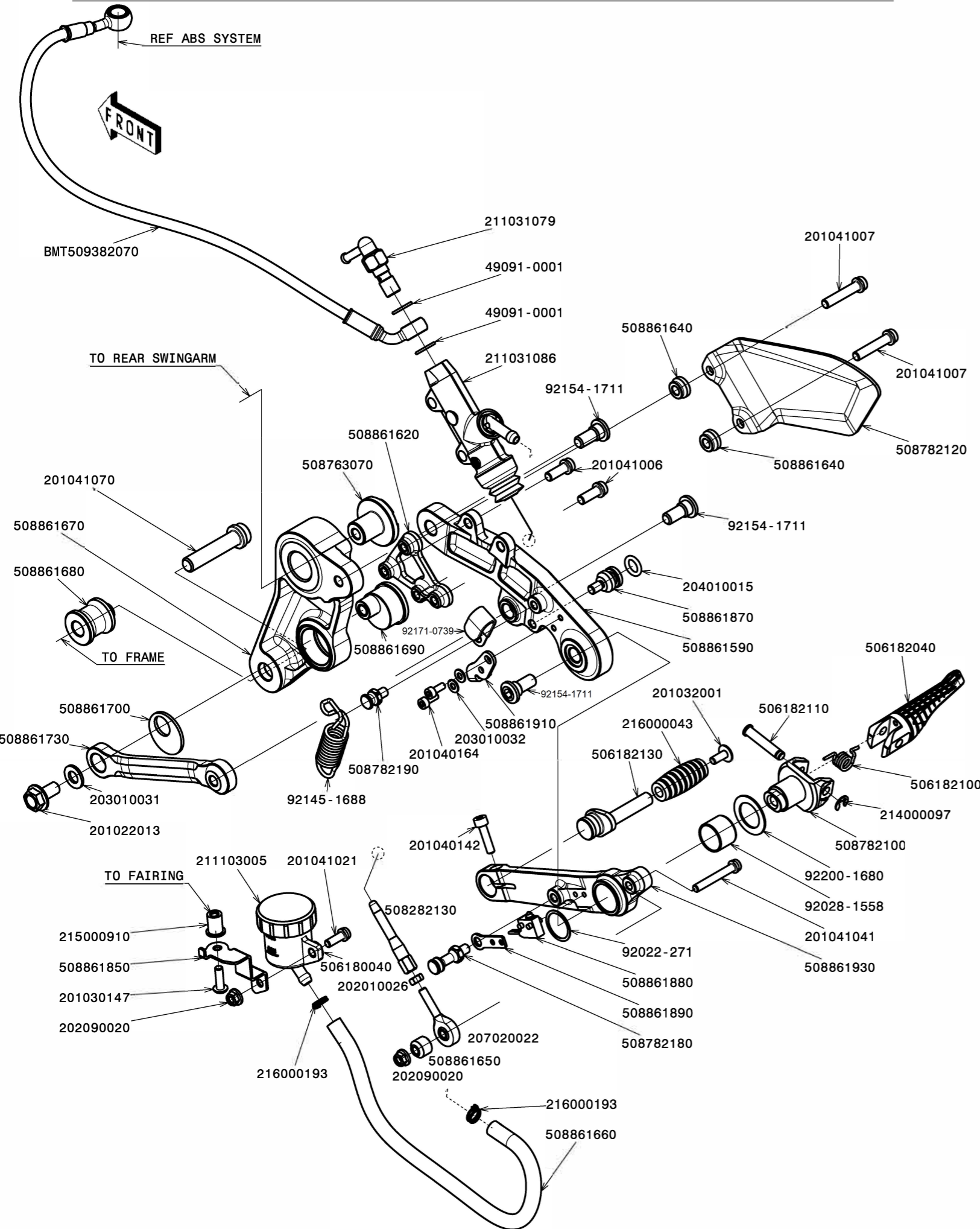


Ref. No.	Part No.	Description	Quantity			
13091	13091-1624	HOLDER,CLUTCH LEVER	1			
13280	13280-0926	HOLDER	1			
27010	27010-0925	SWITCH,CLUTCH	1			
43094	43094-0008	ADJUSTER	1			
46076	46076-0168	LEVER-ASSY-GRIP,CLUTCH	1			
46092	46092-0577	LEVER-GRIP,CLUTCH	1			
92066	92066-1077	PLUG,9.5X8,POLYETHYLENE	1			
92143	92143-1379	COLLAR	1			
92144	92144-1467	SPRING	1			
92154	92154-2318	BOLT	1			
92154C	92154-2644	BOLT,SOCKET,6X20	2			
92172	92172-1138	SCREW	1			
92210	92210-1519	NUT	1			
92210A	92210-1544	NUT,LOCK,6MM	1			
236	236AB0416	SCREW-PAN-WSP-CROS	1			

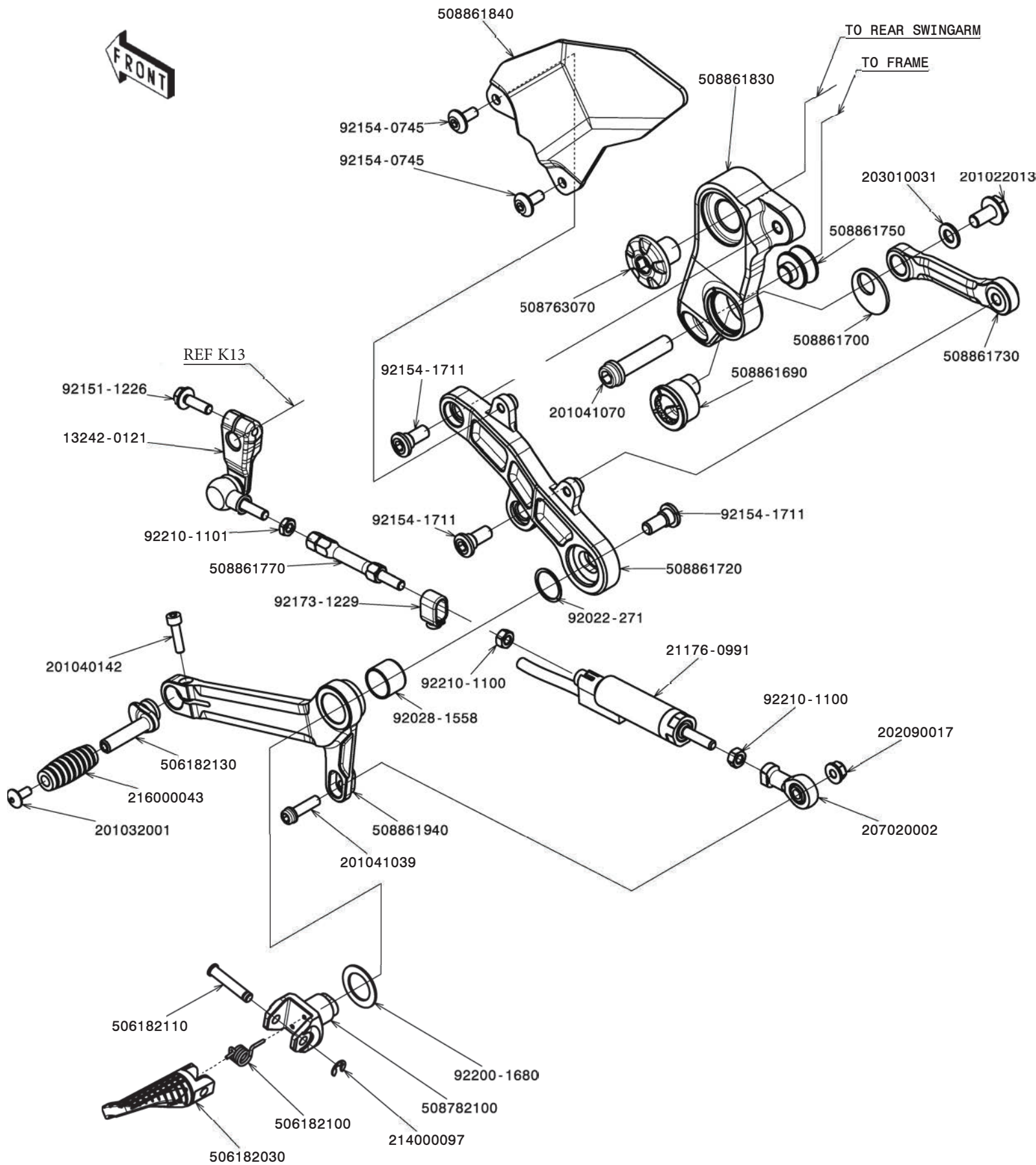
7.4 Front Master Cylinder



Ref. No.	Part No.	Description	Quantity			
13236	13236-0770	LEVER-COMP,BRAKE	1			
43015	43015-0750	CYLINDER-ASSY-MASTER,FR	1			
43034	43034-0121	HOLDER-BRAKE	1			
43056	43056-0019	BREATHER-BRAKE	1			
43078	43078-0577	RESERVOIR	1			
43095	43095-0908	HOSE-BRAKE	1			
	508861900	SWITCH	1			
92145	92145-1683	SPRING	1			
92152A	92152-2151	COLLAR, LEVER	1			
92154A	92154-1644	BOLT,SOCKET,6X20	2			
92154B	92154-1809	BOLT,LEVER	1			
92173A	92173-1498	CLAMP,HOSE	2			
92210A	92210-1424	NUT,U	1			

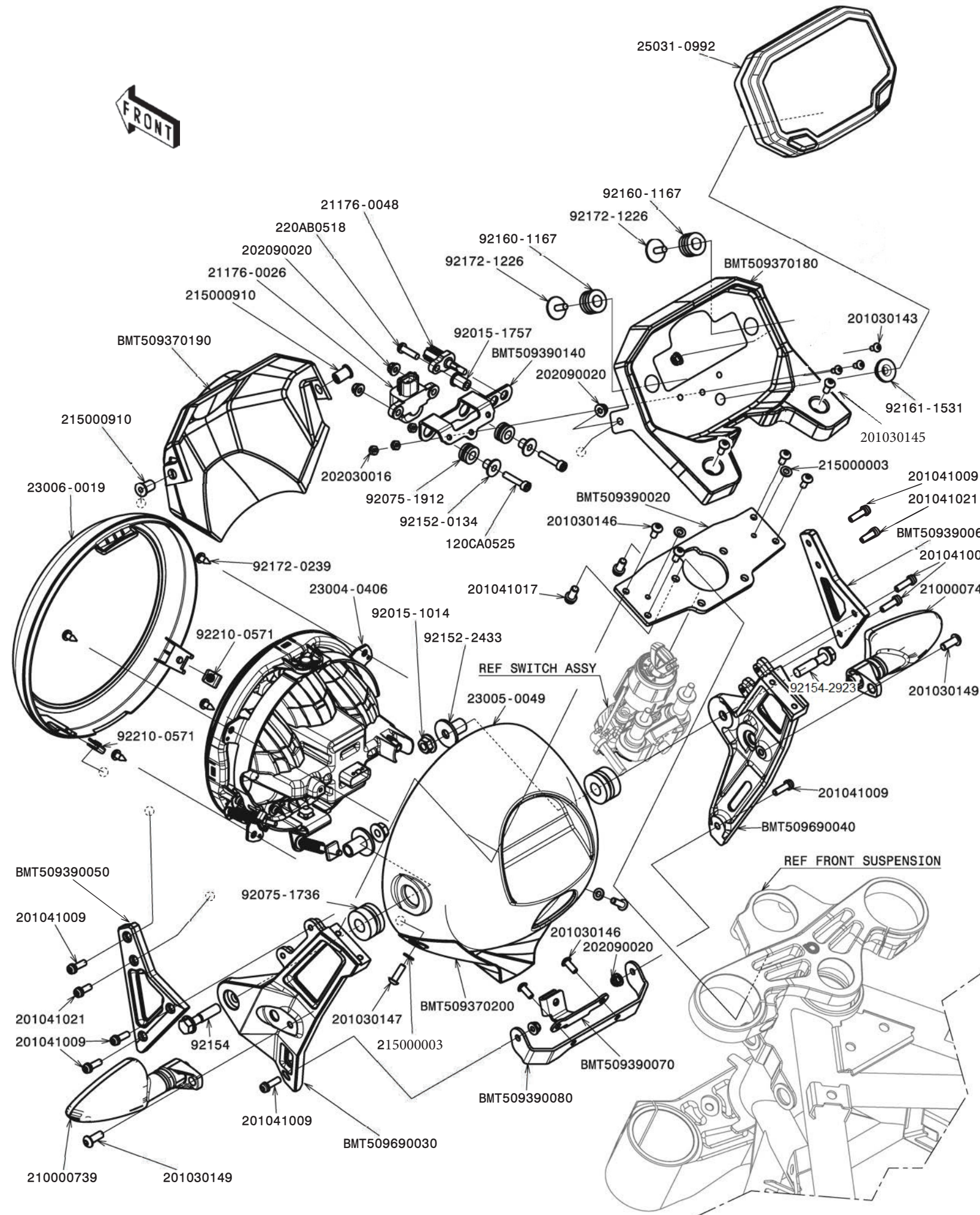


PART. NO.	DESCRIPTION	QUANTITY
201022013	Screw TEF M8X16	1
201030147	Screw TBEI M5x16	1
201032001	Screw TBEI M5x12	1
201040142	Screw TCEI M5x20	1
201040164	Screw TCEI M4x10	2
201041006	Screw TCEI M6x16	2
201041007	Screw TCEI M6x30	2
201041021	Screw TCEI M5x14	1
201041041	Screw TCEI M5x35	1
201041070	Screw TCEIF M10X1,25-L45	1
202010026	Nut M5	1
202090020	Nut M5	2
203010031	Washer	1
203010032	Washer	2
204010015	O-ring	1
207020022	Uniball M5	1
211031079	Hydraulic switch	1
211031086	Rear brake pump	1
211103005	Rear brake reservoir tank	1
214000097	Seeger	1
215000910	Wellnut	1
216000043	Rubber insert	1
216000193	Clip	2
49091-0001	Washer	2
506180040	Bushing	1
506182040	Right footrest	1
506182100	Spring	1
506182110	Pin	1
506182130	Eccentric pin	1
508282130	Pin	1
508763070	Special swingarm connection screw	1
508782100	Footrest fork	1
508782120	Right foot protection	1
508782180	Spring pin L23	1
508782190	Spring pin L10	1
508861590	Upper bracket right footrest	1
508861620	Rear pump support	1
508861640	Spacer d6-D14-L7	2
508861650	Spacer d5-D12-L10	1
508861660	Pipe d6-D10-L310	1
508861670	Right footrest support	1
508861680	Support spacer	1
508861690	Footrest eccentric	1
508861700	Shim	1
508861730	Lower footrest bracket	1
508861850	Oil tank support	1
508861870	Special screw (lever stop)	1
508861880	Switch	1
508861890	Plate	1
508861910	Plate	1
508861930	Rear brake lever (with 92028-1558)	1
92022-271	Washer	1
92028-1558	Bushing	1
92145-1688	Spring	1
92154-1711	Screw	3
92171-0739	Clamp	1
92200-1680	Washer	1
BMT509382070	Tube (rear pump/ABS module)	1



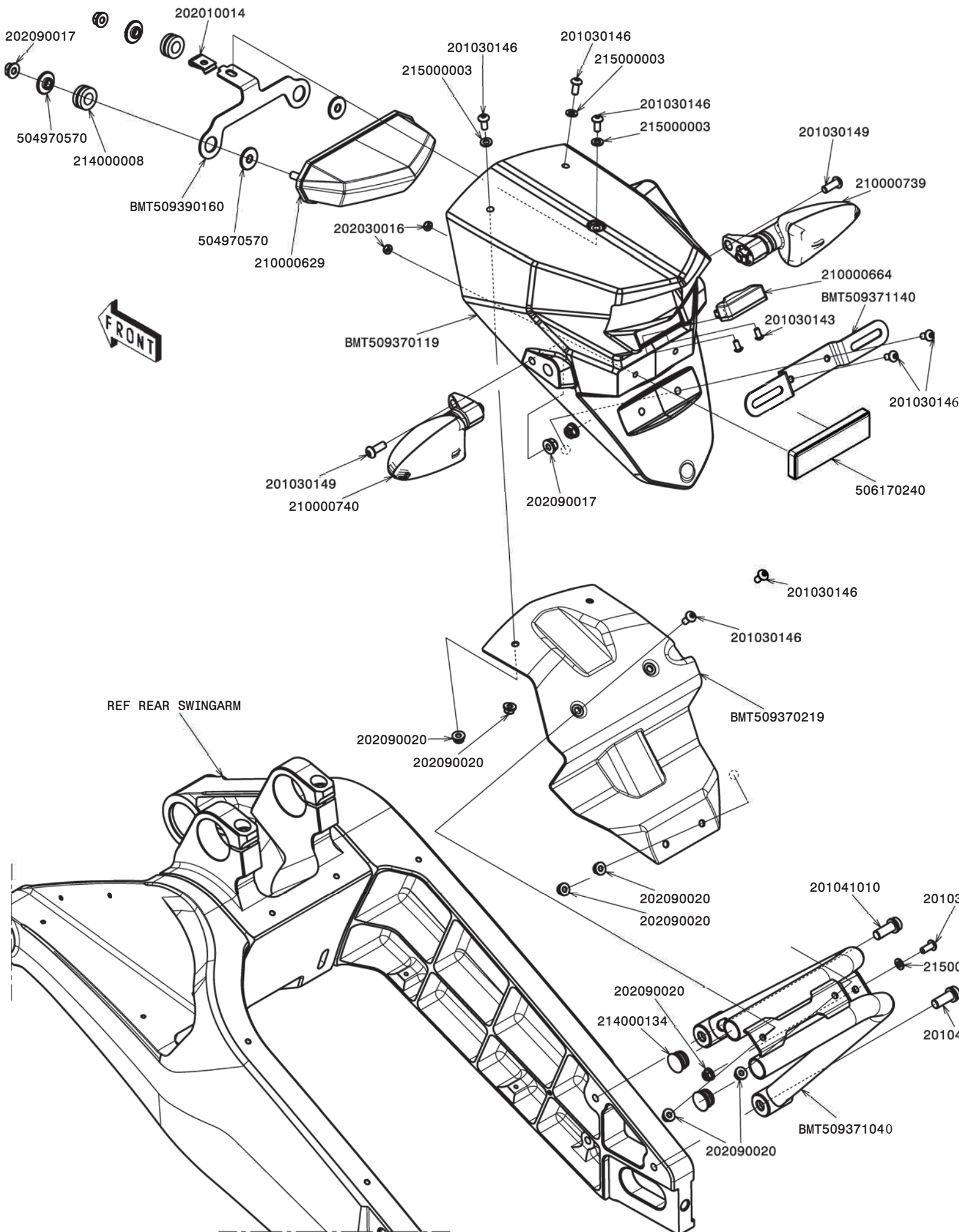
PART. NO.	DESCRIPTION	QUANTITY
13242-0121	Gearshift lever	1
201022013	Screw TEF M8X16	1
201032001	Screw TBEI M5x12	1
201040142	Screw TCEI M5x20	1
201041039	Screw TCEI M6x22	1
201041070	Screw TCEIF M10X1,25-L45	1
202090017	Nut M6	1
203010031	Washer	1
207020002	Uniball	1
21176-0991	Sensor	1
214000097	E-clip	1
216000043	Rubber insert	1
506182030	Left footrest	1
506182100	Spring	1
506182110	Pin	1
506182130	Eccentric pin	1
508763070	Special swingarm connection screw	1
508782100	Footrest fork	1
508861690	Footrest eccentric	1
508861700	Shim	1
508861720	Upper bracket left footrest	1
508861730	Lower footrest bracket	1
508861750	Bush	1
508861770	gearshift adjustment rod	1
508861830	Left footrest support	1
508861840	Left footrest protection	1
508861940	Gearshift lever (with 92028-1558)	1
92022-271	Washer	1
92028-1558	Bushing	1
92151-1226	Nut	1
92154-0745	Screw	2
92154-1711	Screw	3
92173-1229	Clamp	1
92200-1680	Washer	1
92210-1100	Nut	2
92210-1101	Nut	1

9. FRONT LIGHT

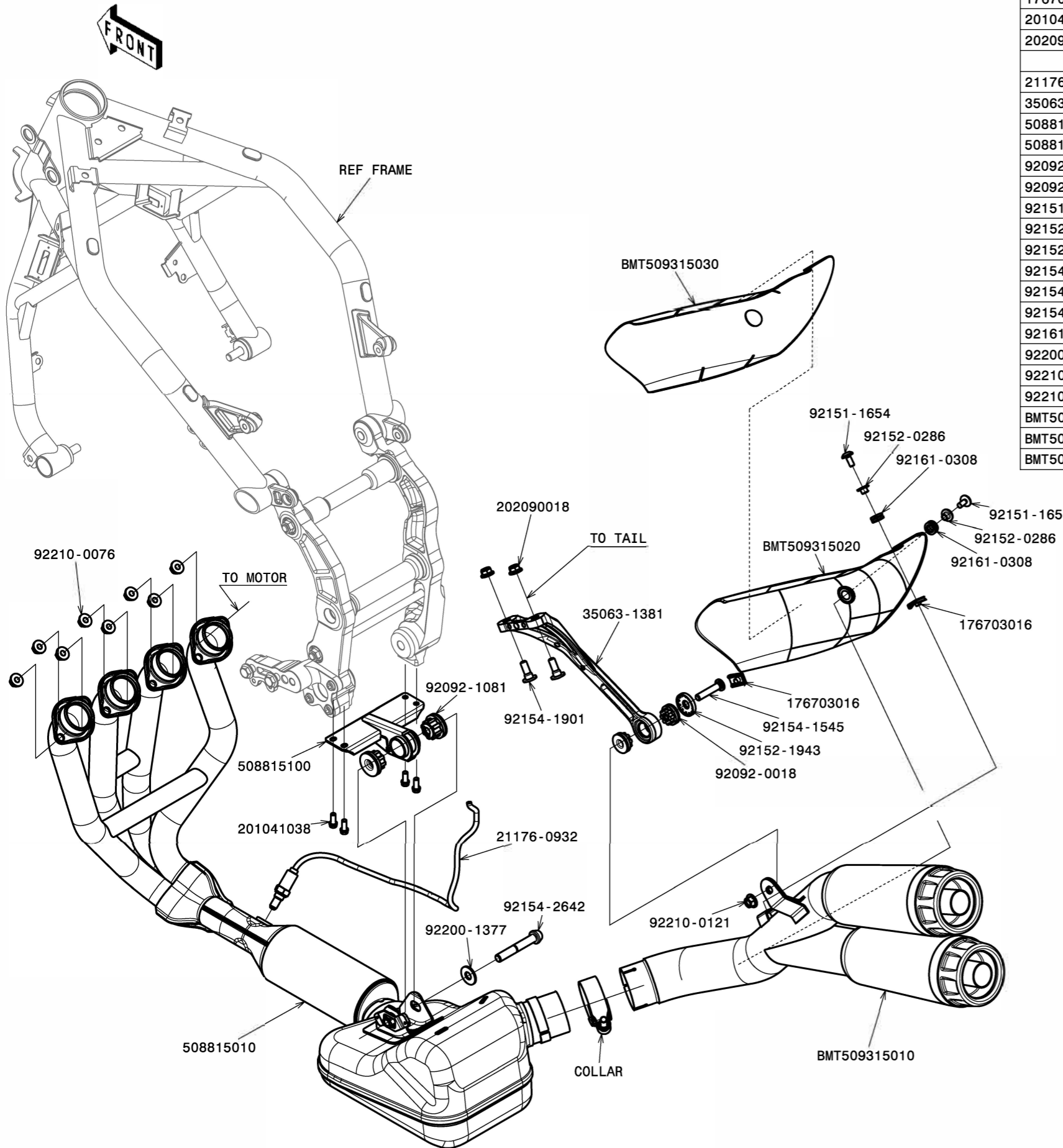


PART NO.	DESCRIPTION	QUANTITY
120CA0525	Bolt M5X25	2
201030143	Screw TBEI M4x8	3
201030145	Screw TBEI M5x10	2
201030146	Screw TBEI M5x12	6
201030147	Screw TBEI M5x16	2
201030149	Screw TBEI M6x16	2
201041009	Screw TCEI M5x16	8
201041017	Screw TCEI M6x12	2
201041021	Screw TCEI M5x14	2
202030016	Nut M4	3
202090020	Nut M5	6
210000739	Front light LH "9148"	1
210000740	Front light RH "914801"	1
21176-0026	Sensor vehicle down	1
21176-0048	Sensor air temp	1
215000003	Washer	4
215000910	Wellnut	2
220AB0518	Screw pan cross M5X18	1
23004-0406	Light assy	1
23005-0049	Light assy support	1
23006-0019	Light assy cover	1
25031-0992	Meter Assy	1
92015-1014	Nut	2
92015-1757	Rubber nut	1
92075-1736	Damper	2
92075-1912	Damper	2
92152-0134	Collar	2
92152-2433	Collar	2
92154-2923	Bolt	2
92160-1167	Damper	2
92161-1531	Damper	1
92172-0239	Screw	4
92172-1226	Screw	2
92210-0571	Special nut	2
BMT509370180	Meter support	1
BMT509370190	Meter Cover	1
BMT509370200	Light Cover	1
BMT509390020	Plate	1
BMT509390050	LH support	1
BMT509390060	RH support	1
BMT509390070	Adjustment plate	1
BMT509390080	Support	1
BMT509390140	Support	1
BMT509690030	LH support	1
BMT509690040	RH support	1

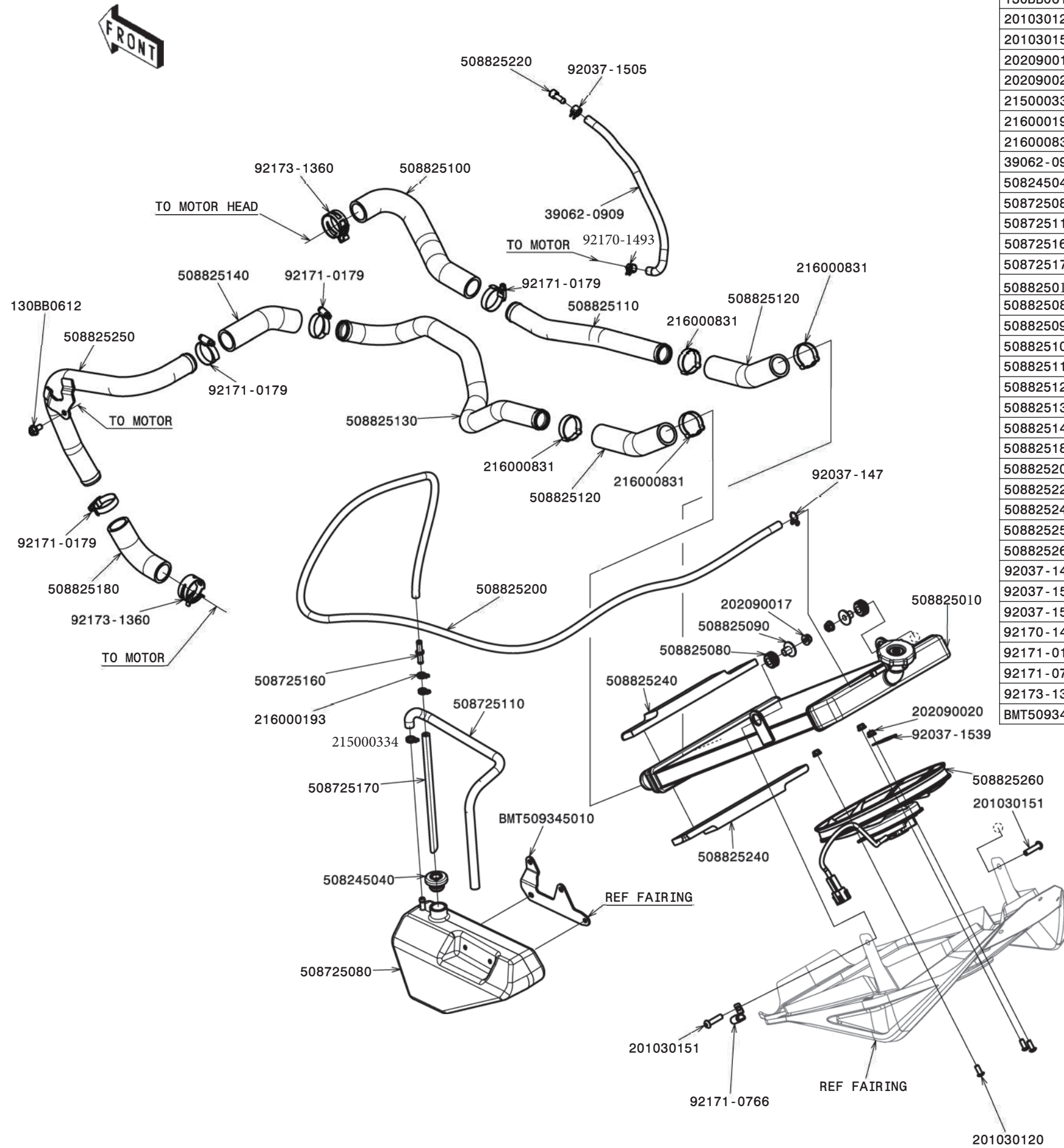
10. LICENSE PLATE HOLDER



PART. NO.	DESCRIPTION	QUANTITY
201030143	Screw TBEI M4x8	2
201030146	Screw TBEI M5x12	8
201030149	Screw TBEI M6x16	2
201041010	Screw TCEI M8x20	2
202010014	Clip Nut M5	1
202030016	Nut M4	2
202090017	Nut M6	4
202090020	Nut M5	6
210000629	Rear LED light "9129EC"	1
210000664	LED plate light "ECIE 921905 (EX 918805)"	1
210000739	RH rear indicator "9148"	1
210000740	LH rear indicator "914801"	1
214000008	Damper	2
214000134	Plastic insert	2
215000003	Washer	4
504970570	Collar	4
506170240	Reflector	1
BMT509370119	License holder	1
BMT509370219	License holder closing	1
BMT509371040	License holder frame	1
BMT509371140	License holder Bracket	1
BMT509390160	Plate	1

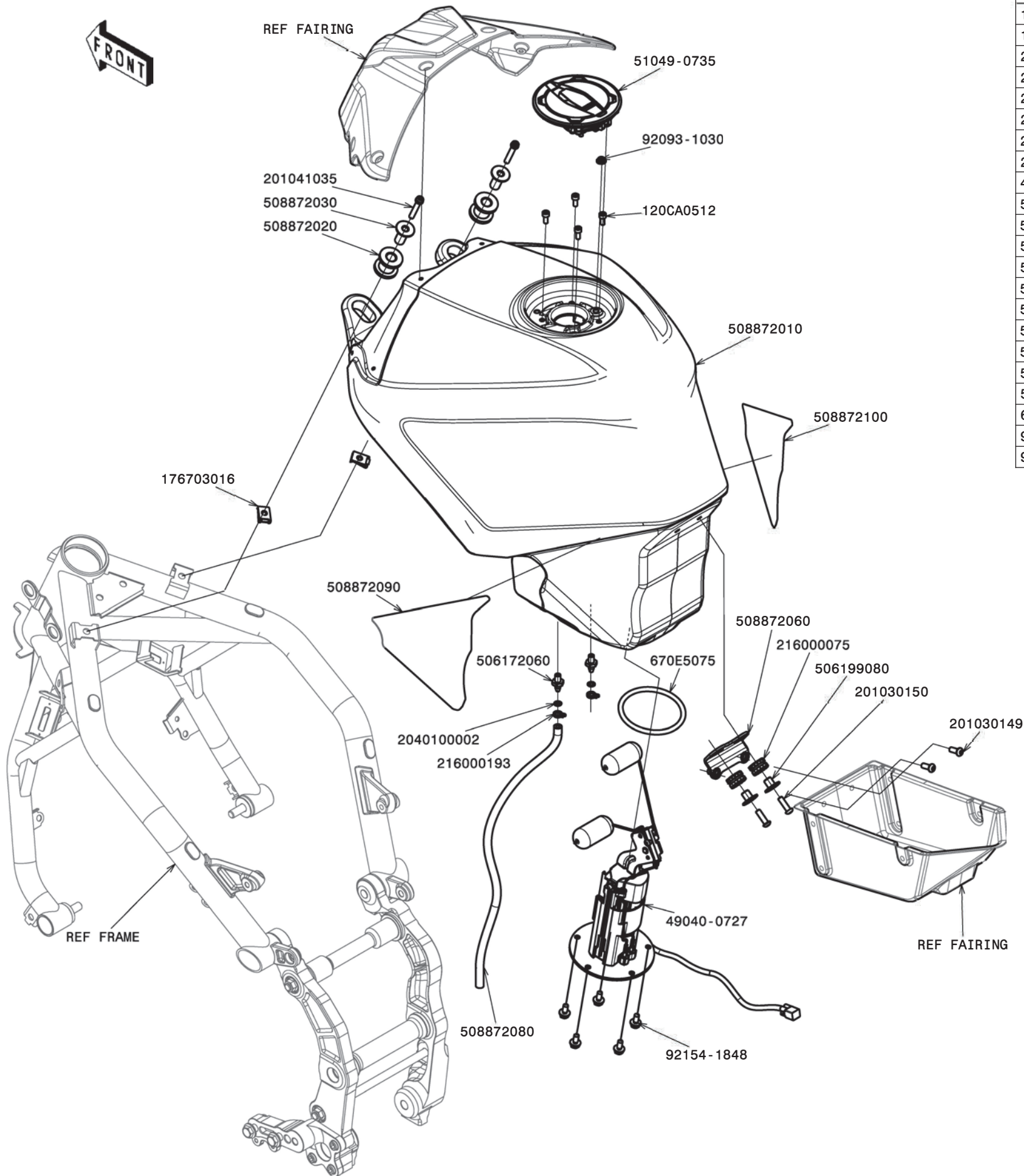


PART. NO.	DESCRIPTION	QUANTITY
176703016	Clip nut	2
201041038	Screw	4
202090018	Nut	2
21176-0932	Lambda sensor	1
35063-1381	Silencer bracket	1
508815010	Exhaust	1
508815100	Support	1
92092-0018	Damper	2
92092-1081	Damper	2
92151-1654	Screw	2
92152-0286	Collar	2
92152-1943	Washer	1
92154-1545	Bolt	1
92154-1901	Screw	2
92154-2642	Bolt	1
92161-0308	Damper	2
92200-1377	Washer	1
92210-0076	Nut	8
92210-0121	Nut	1
BMT509315010	Exhaust silencer w. collar	1
BMT509315020	Silencer cover	1
BMT509315030	Heat protection	1



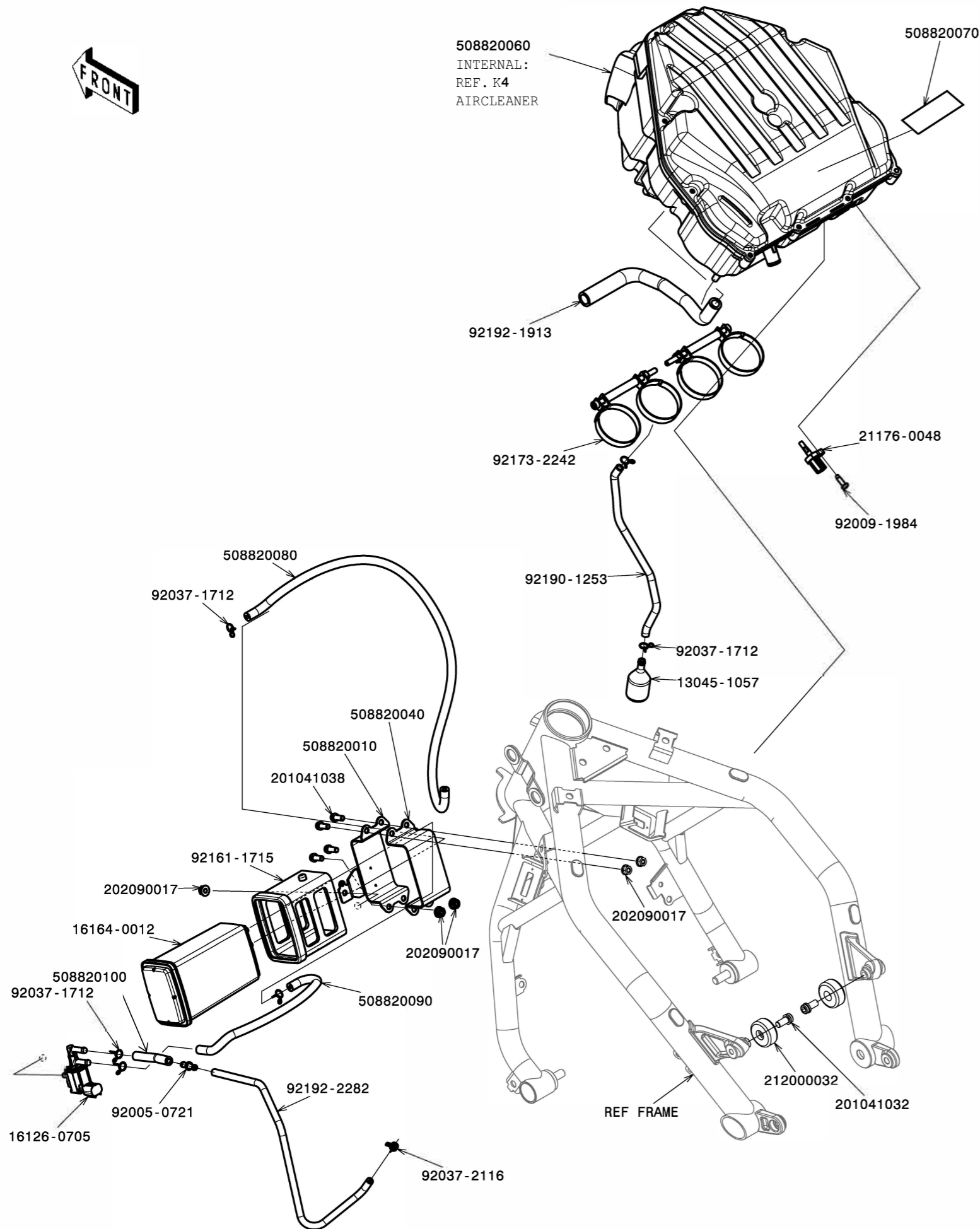
PART. NO.	DESCRIPTION	QUANTITY
130BB0612	Bolt	1
201030120	Screw	3
201030151	Screw	2
202090017	Nut	2
202090020	Nut	3
215000334	Clamp "12812"	1
216000193	Clamp "11312"	2
216000831	Clamp	4
39062-0909	Tube	1
508245040	Coolant reserve tank cap	1
508725080	Coolant reserve tank	1
508725110	Tube	1
508725160	Junction	1
508725170	Tube	1
508825010	Radiator	1
508825080	Radiator damper	2
508825090	Collar	2
508825100	Tube	1
508825110	Metallic tube	1
508825120	Tube	2
508825130	Metallic tube	1
508825140	Tube	1
508825180	Tube	1
508825200	Tube	1
508825220	Cap	1
508825240	Adhesive sponge	2
508825250	Metallic tube	1
508825260	190mm worked FAN	1
92037-147	Clamp	1
92037-1505	Clamp	1
92037-1539	Clamp	1
92170-1493	Clamp	1
92171-0179	Clamp	4
92171-0766	Clamp	1
92173-1360	Clamp	2
BMT509345010	Coolant reserve tank support	1

13. FUEL TANK GROUP

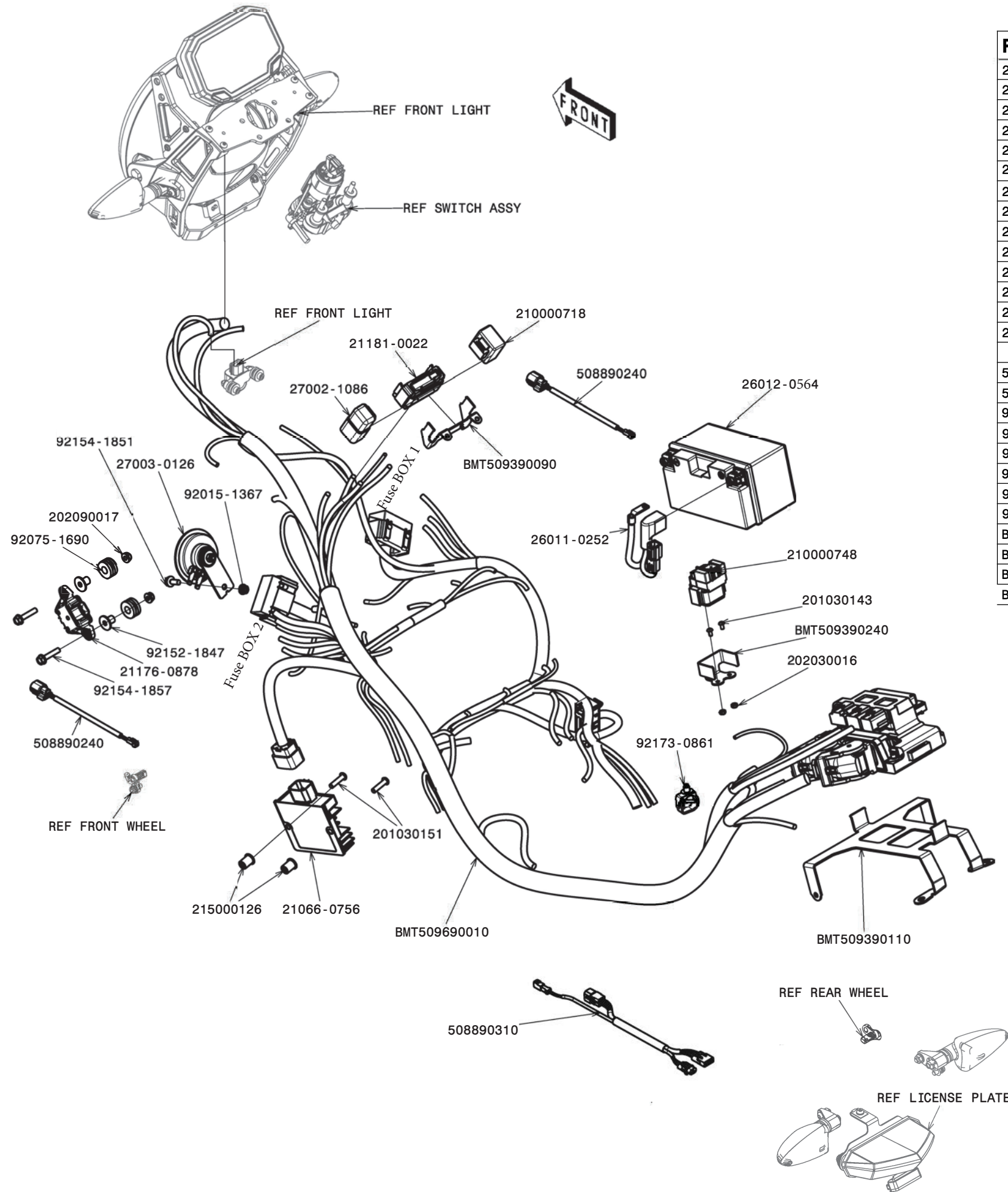


PART. NO.	DESCRIPTION	QUANTITY
120CA0512	Bolt	4
176703016	Clip bolt	2
201030149	Screw	2
201030150	Screw	2
201041035	Screw	2
2040100002	Oring	2
216000075	Damper	2
216000193	Clip	2
49040-0727	Fuel pump	1
506172060	Junction M7	2
506199080	Collar	2
508872010	Fuel tank	1
508872020	Damper	2
508872030	Spacer	2
508872060	Support	1
508872080	Draining tube	1
508872090	LH adhesive protection	1
508872100	RH adhesive protection	1
51049-0735	Tank cap	1
670E5075	Oring	1
92093-1030	Seal	1
92154-1848	Bolt	5

14. Airbox & fuel evaporative system



PART. NO.	DESCRIPTION	QUANTITY
13045-1057	Oil receiver	1
16126-0705	Solenoid valve	1
16164-0012	Canister	1
201041032	Screw	2
201041038	Screw	4
202090017	Nut	5
21176-0048	Air temperature sensor	1
21200032	Silent block	2
508820010	Canister/solenoid front support	1
508820040	Canister back support	1
508820050	Spacer	2
508820060	Airbox	1
508820070	Airbox label	1
508820080	Tube	1
508820090	Tube	1
508820100	Tube	1
92005-0721	Junction	1
92009-1984	Screw	1
92037-1712	Clamp	5
92037-2116	Clamp	1
92161-1715	Damper	1
92173-2242	Clamp	2
92190-1253	Tube	1
92192-1913	Tube	1
92192-2282	Tube	1



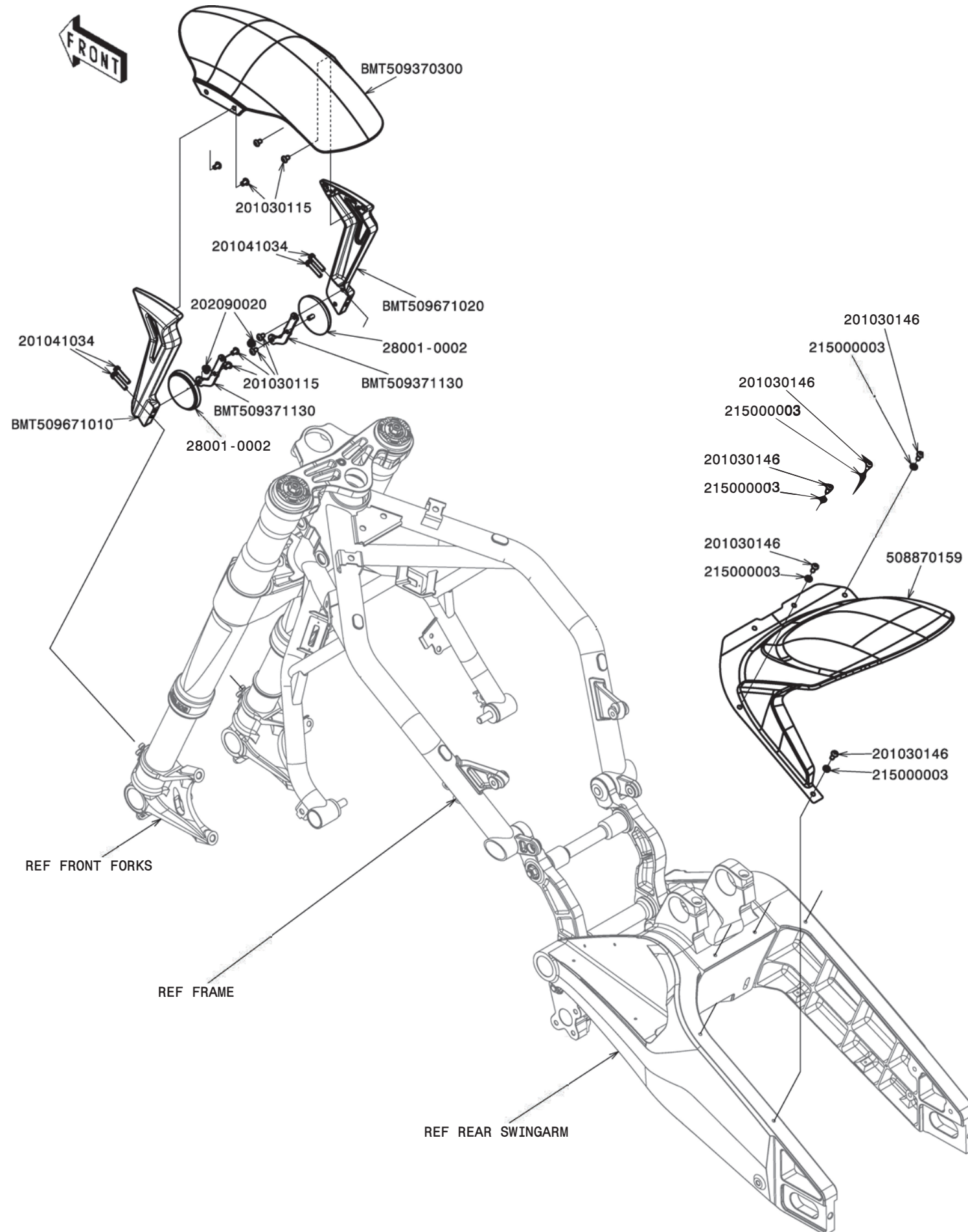
PART. NO.	DESCRIPTION	QUANTITY
201030151	Screw	2
202030016	Nut	2
202090017	Nut	2
210000718	Light intermittent 10x2 W	1
210000748	Contactor , with housing, 2 screws, 2 washers	1
201030143	Screw	2
21066-0756	Regulator-voltage	1
21176-0878	Sensor	1
21181-0022	Amplifier	1
215000126	Rubber nut	2
26011-0252	Wire lead battery (+)	1
26012-0564	Battery YTZ10S 9,1Ah	1
27002-1086	Relais Omron	1
27003-0126	Clacson	1
508890240	Light indicator wiring	2
508890310	Rear light wiring	1
92015-1367	Nut	1
92075-1690	Damper	2
92152-1847	Collar	2
92154-1851	Screw	1
92154-1857	Bolt	2
92173-0861	Clamp	1
BMT509390090	Amplifier support	1
BMT509390110	ECU Support	1
BMT509390240	Starting relay Support	1
BMT509690010	Main wiring	1

FUSES CODIFICATION

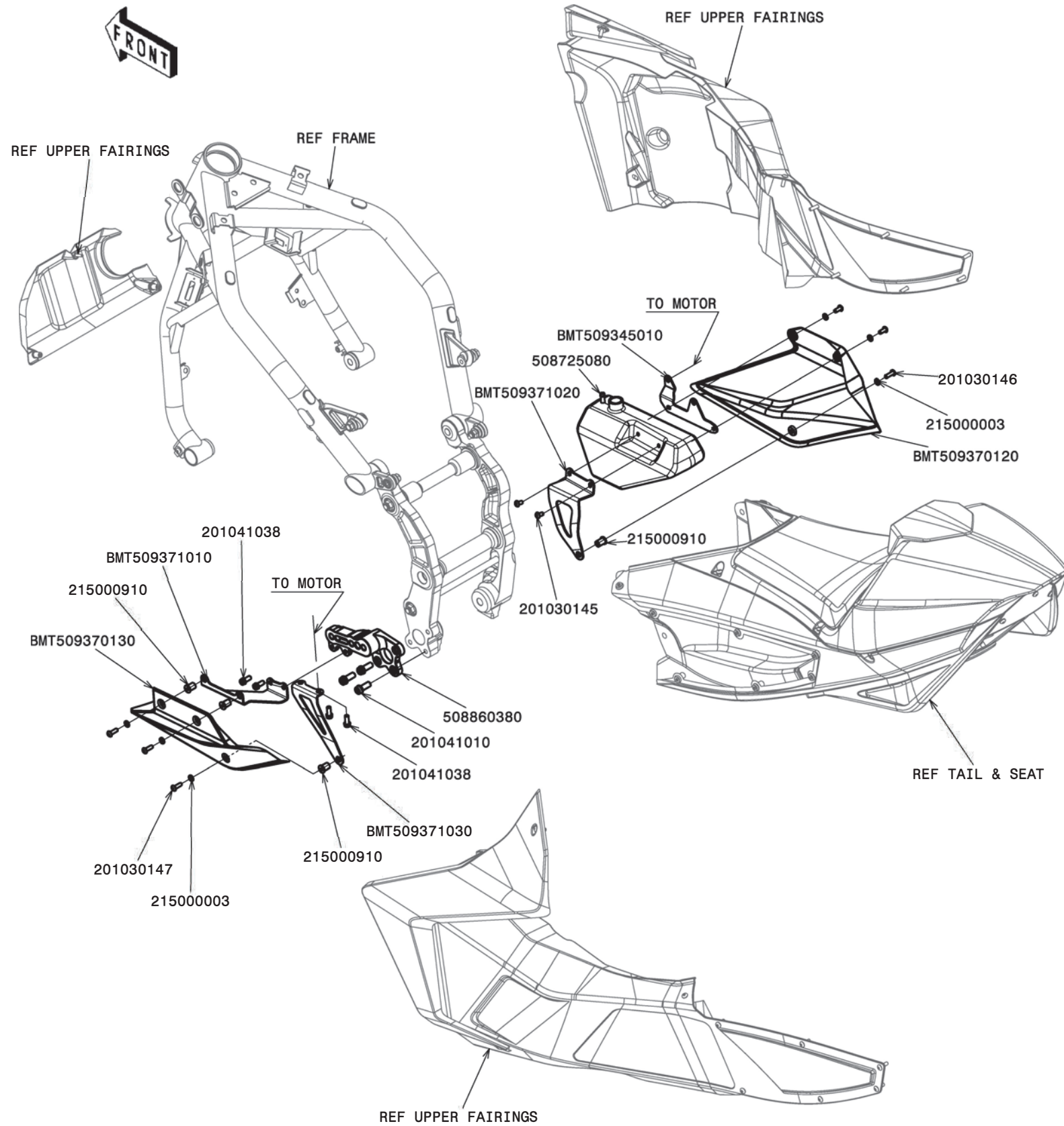
	POS.	Part. NO.	Description	UTILITY	
FUSE BOX "1"	1	26006-0001	Fuse, mini blade, 15A, BLUE	power on	
	2	26006-0001	Fuse, mini blade, 15A, BLUE	lights	
	3	26006-1078	Fuse, mini blade, 10A, RED	brake/horn	
	4	26006-1078	Fuse, mini blade, 10A, RED	cruising speed	
	5	26006-0001	Fuse, mini blade, 15A, BLUE	heating knobs (not connected)	
	6	26006-0020	Fuse, mini blade, 25A, NATURAL	ABS MOTOR	
	7	26006-0001	Fuse, mini blade, 15A, BLUE	ABS VALVE	
	buffer stock		26006-1078	Fuse, mini blade, 10A, RED	\
	buffer stock		26006-0001	Fuse, mini blade, 15A, BLUE	\
	buffer stock		26006-0020	Fuse, mini blade, 25A, NATURAL	\

	POS.	AMP.	UTILITY		
FUSE BOX "2"	1	26006-1078	Fuse, mini blade, 10A, RED	power on	
	2	26006-1078	Fuse, mini blade, 10A, RED	lights	
	3	26006-1078	Fuse, mini blade, 10A, RED	brake/horn	
	4	26006-0001	Fuse, mini blade, 15A, BLUE	cruising speed	
	5	26006-0054	Fuse, mini blade, 3A, VIOLET	heating knobs (not connected)	
	6	26006-0001	Fuse, mini blade, 15A, BLUE	ECU	
	7			empty	
	buffer stock		26006-0054	Fuse, mini blade, 3A, VIOLET	\
	buffer stock		26006-1078	Fuse, mini blade, 10A, RED	\
	buffer stock		26006-0001	Fuse, mini blade, 15A, BLUE	\

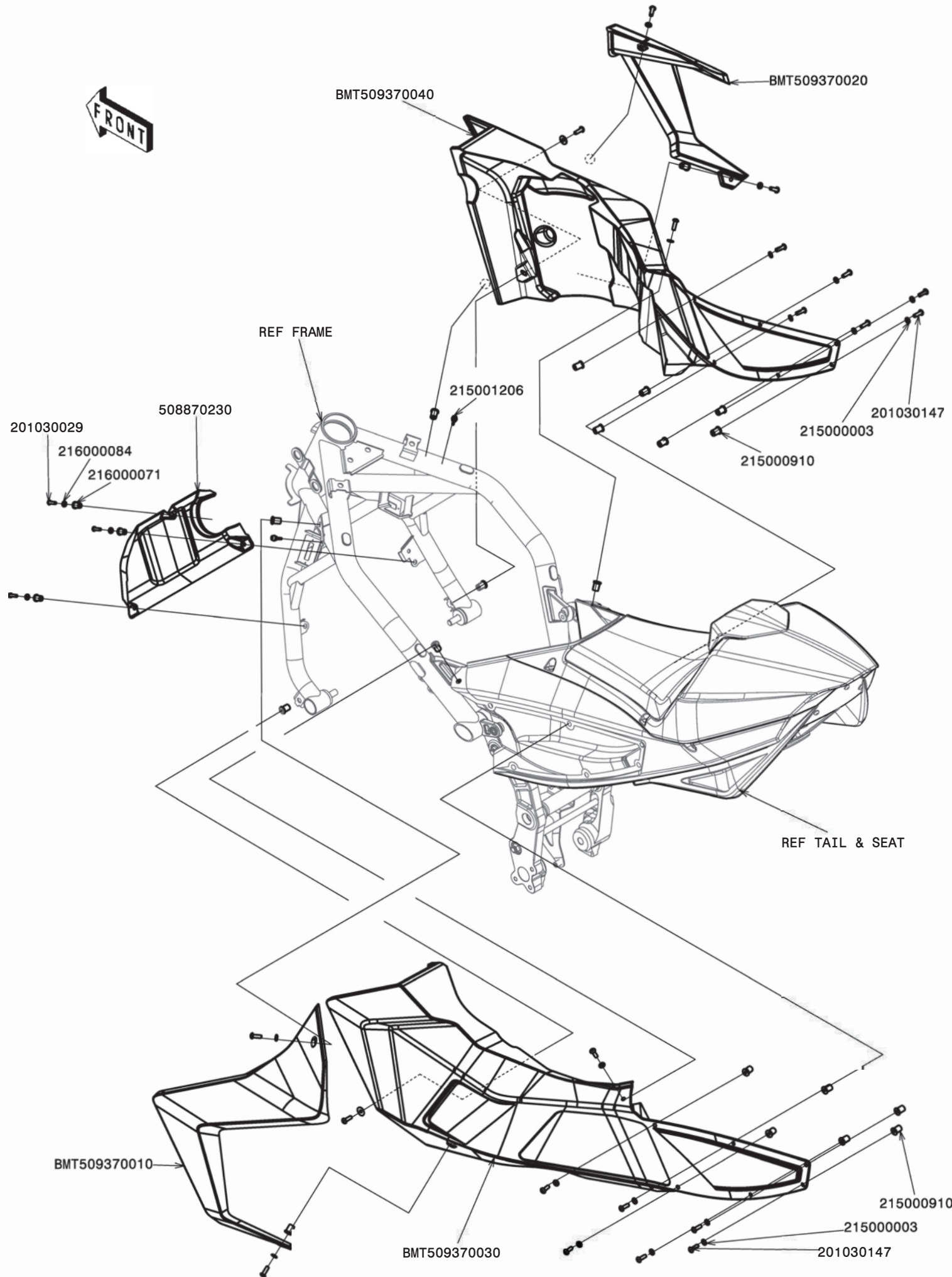
CONTACTOR	POS.	AMP.	UTILITY	
	\	\	Fuse, wide, 30A	MAIN FUSE
	\	\	Fuse, wide, 30A	buffer stock



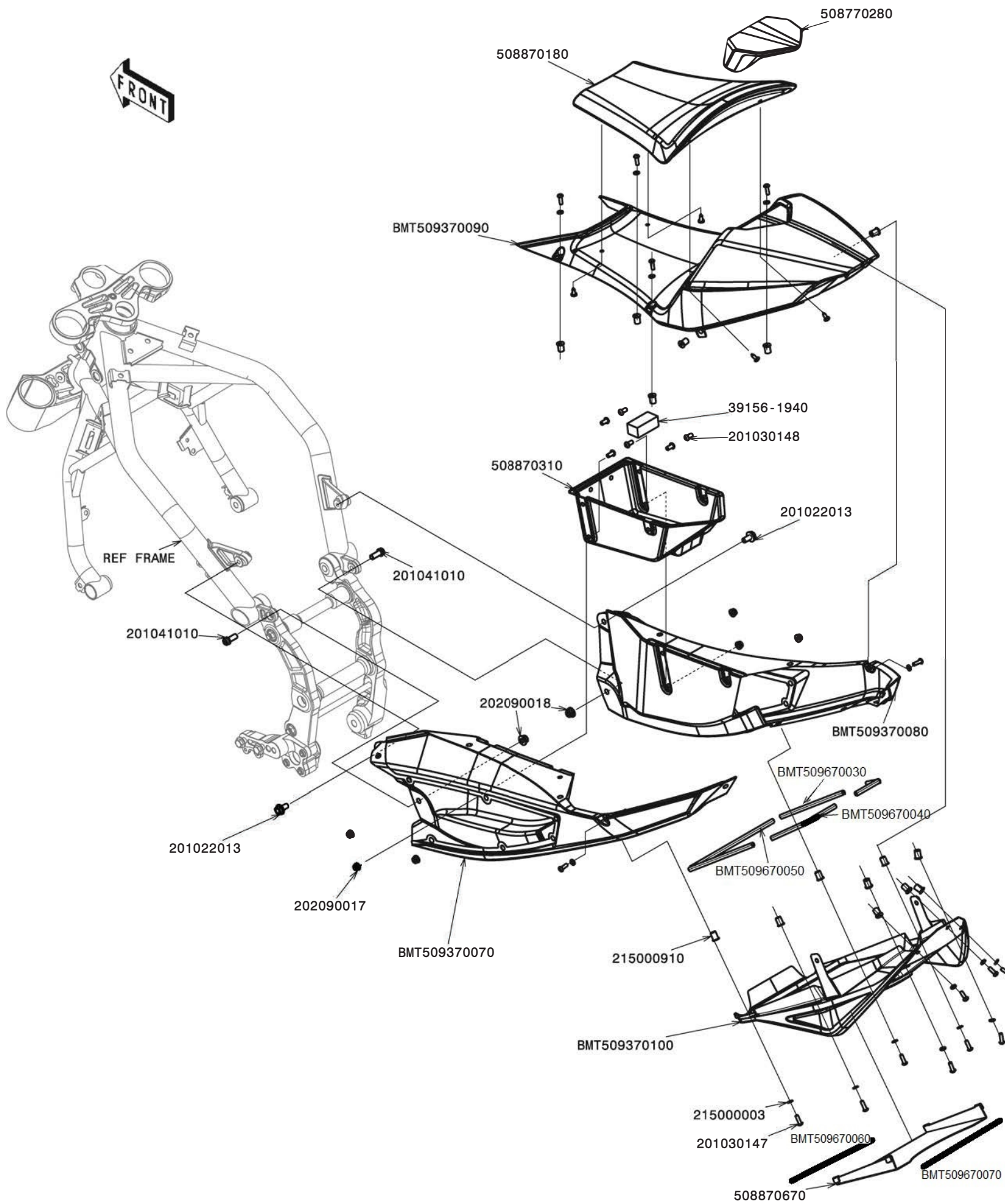
PART. NO.	DESCRIPTION	QUANTITY
201030115	Screw	8
201030146	Screw	5
201041034	Bolt	4
202090020	Nut	2
215000003	Washer	5
28001-0002	Reflector	2
508870159	Rear fender	1
BMT509370300	Front fender	1
BMT509371130	Reflector support	2
BMT509671010	LH Front fender support	1
BMT509671020	RH Front fender support	1



PART. NO.	DESCRIPTION	QUANTITY
201030145	Screw	2
201030146	Screw	3
201030147	Screw	3
201041010	Bolt	3
201041038	Bolt	2
215000003	Washer	6
215000910	Wellnut	4
508725080	Coolant reserve tank	1
508860380	Stand support	1
BMT509345010	Coolant reserve tank support	1
BMT509370120	RH lower fairing	1
BMT509370130	LH lower fairing	1
BMT509371010	LH lower fairing support (lateral)	1
BMT509371020	RH lower fairing support	1
BMT509371030	LH lower fairing support (bottom)	1

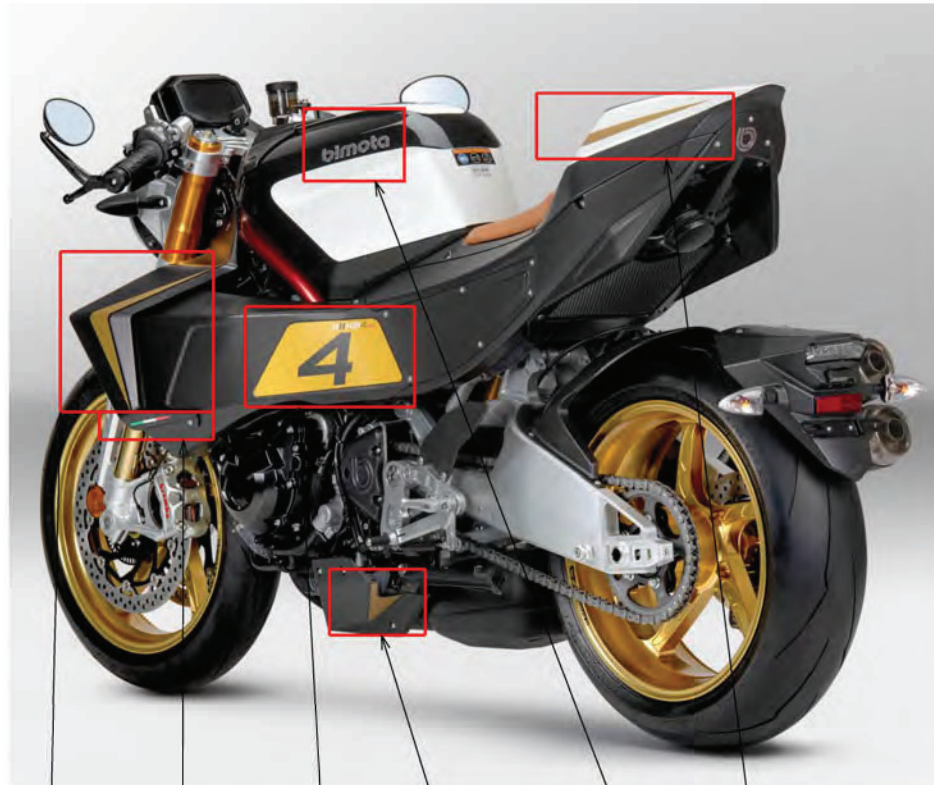


PART. NO.	DESCRIPTION	QUANTITY
201030029	Screw	3
201030147	Screw	20
215000003	Washer	20
215000910	Wellnut	20
215001206	Rubber insert	2
216000071	Wellnut	3
216000084	Washer	3
508870230	Canister cover	1
BMT509370010	LH front fairing	1
BMT509370020	RH front fairing	1
BMT509370030	LH air duct	1
BMT509370040	RH air duct	1



PART. NO.	DESCRIPTION	QUANTITY
201022013	Bolt	2
201030147	Screw	15
201030148	Screw	6
201041010	Bolt	2
202090017	Nut	6
202090018	Nut	2
215000003	Washer	15
215000910	Wellnut	15
39156-1940	Battery pad	1
508770280	Seat pad	1
508870180	Seat	1
508870310	Battery box	1
BMT509670030	Gasket insert	2
BMT509670040	Gasket insert	2
BMT509670050	Gasket insert	1
508870670	Protection grid	1
BMT509370070	LH seat support	1
BMT509370080	RH seat support	1
BMT509370090	Tail closing	1
BMT509370100	Radiator cover	1
BMT509670060	Gasket insert	1
BMT509670070	Gasket insert	1

17. STICKERS



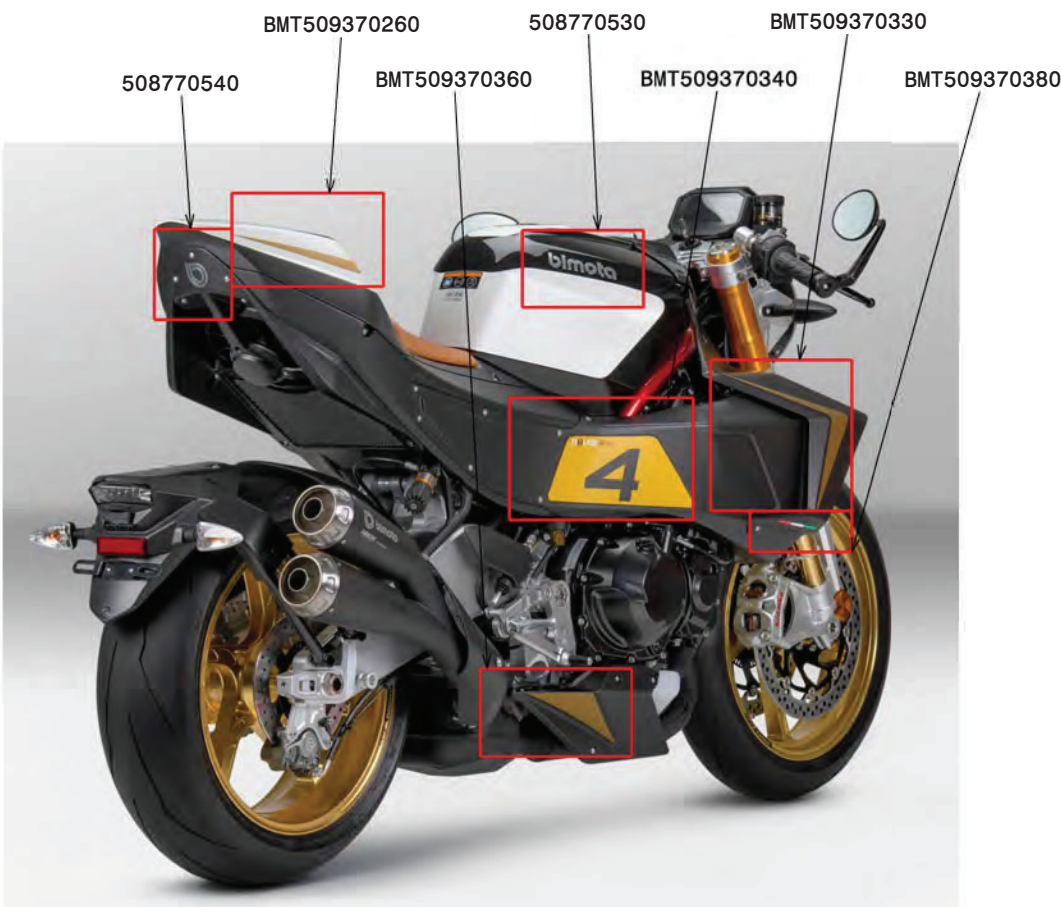
BMT509370290 BMT509370280 508770530
 BMT509370370 BMT509370350 BMT509370270



508870460

508770560

PART. NO.	DESCRIPTION	QUANTITY
508770530	3D Bimota sticker	2
508770540	3D Bimota logo	1
508770560	"V element" logo sticker	2
508870460	Front round sticker	1
BMT509370260	RH tail Gold sticker	1
BMT509370270	LH tail Gold sticker	1
BMT509370280	LH "4 KB4rc" sticker	1
BMT509370290	LH front Gold sticker	1
BMT509370330	RH front Gold sticker	1
BMT509370340	RH "4 KB4rc" sticker	1
BMT509370350	LH lower Gold sticker	1
BMT509370360	RH lower Gold sticker	1
BMT509370370	LH Italian flag sticker	2
BMT509370380	RH Italian flag sticker	1



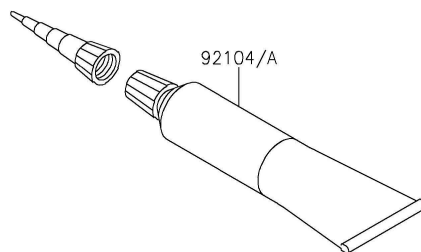
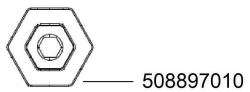
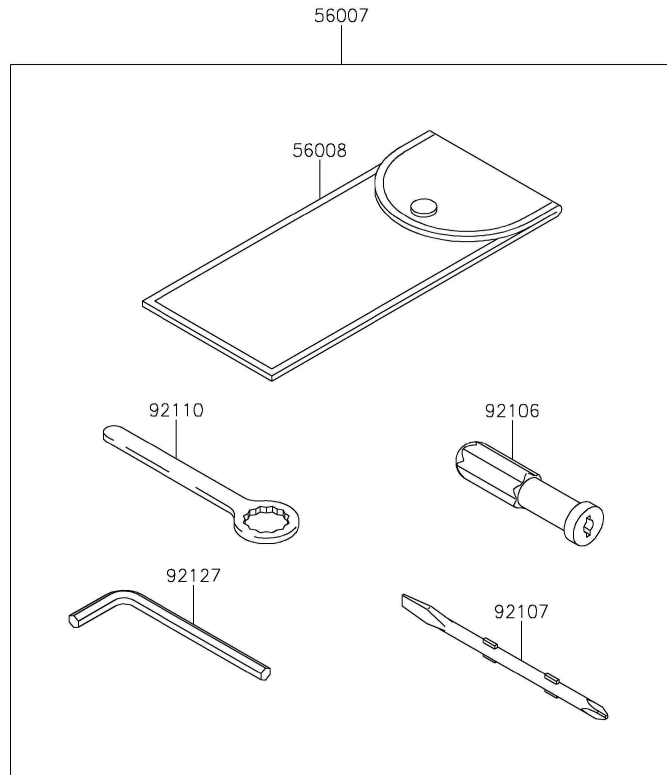
508770540 BMT509370260 508770530 BMT509370330
 BMT509370360 BMT509370340 BMT509370380



508770560

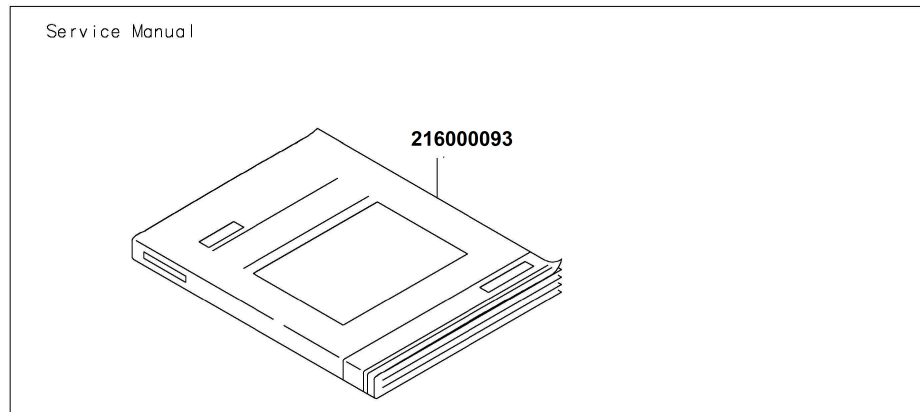
F2810

18. OWNER'S TOOL



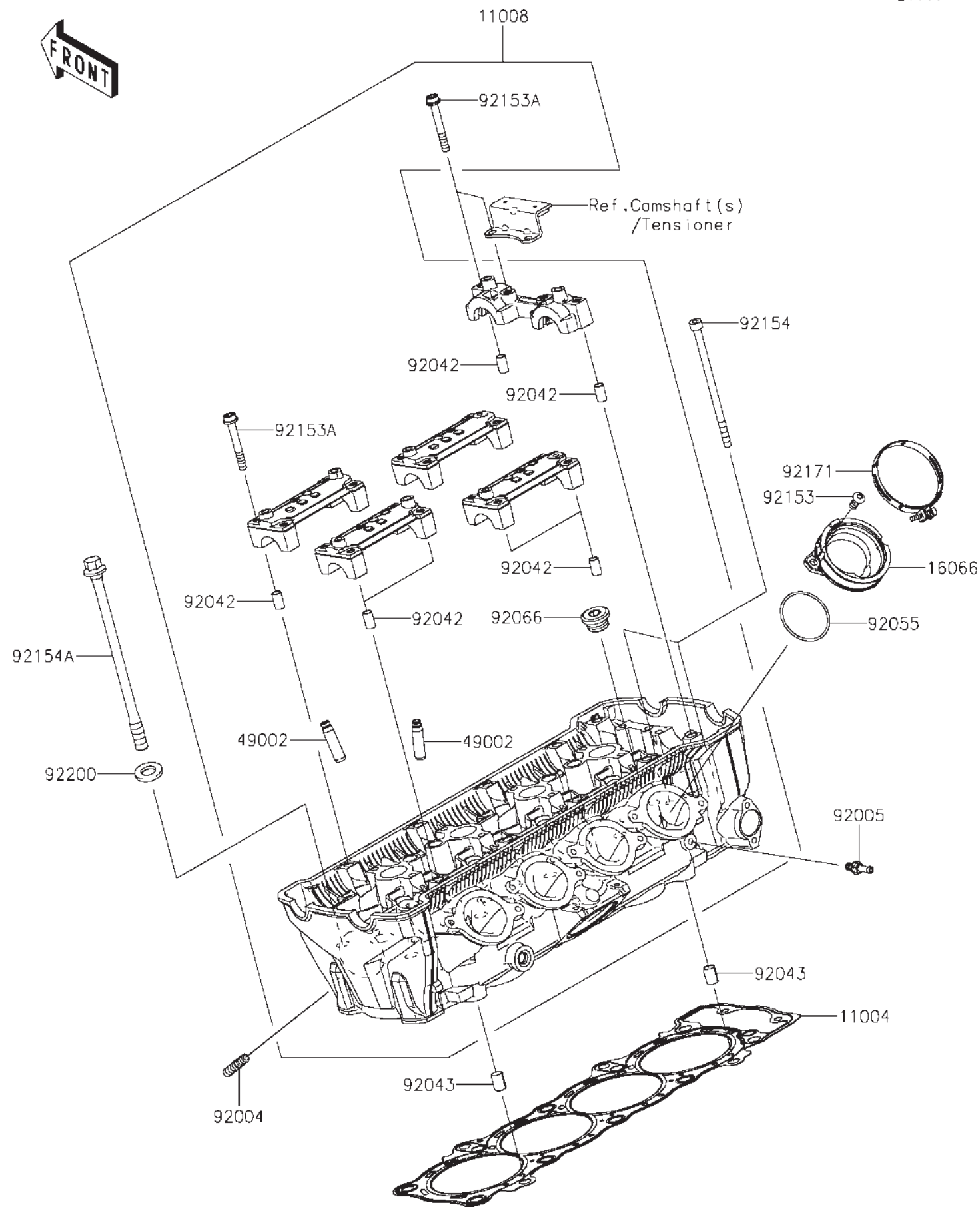
Ref. No.	Part No.	Description	Spec Code	Quantity				
	508897010	Eccentric register key						1
	BMT509650110	Allen Key 2,5mm special						1
56007	56007-0167	TOOL-KIT						1
56008	56008-0577	BAG, TOOL						1
92104	92104-0004	GASKET-LIQUID, TB1211F, CLEAR						1
92104A	92104-1064	GASKET-LIQUID, TB1216B, BLACK						1
92106	92106-1001	GRIP-SCREW DRIVER						1
92107	92107-1051	TOOL-DRIVER, #2PHILLIPS&SLOT						1
92110	92110-0060	TOOL-WRENCH, BOX END, 19MM						1
92127	92127-003	TOOL-WRENCH, ALLEN, 6MM						1

Part No.	Description	Quantity
216000093	Service manual (English)	1



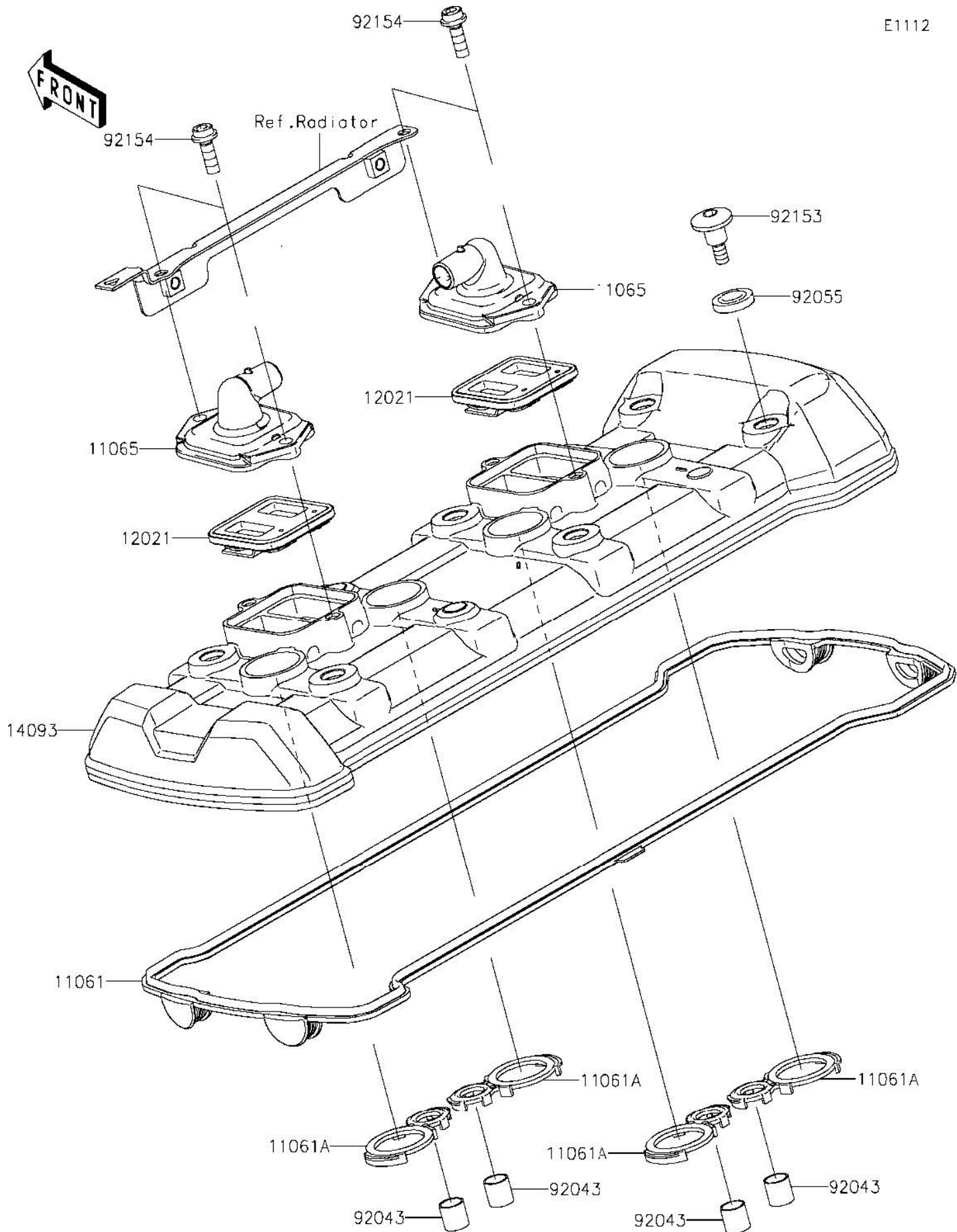
K1. Cylinder Head

E1111



Ref. No.	Part No.	Description	Spec Code	Quantity				
11004	11004-0781	GASKET-HEAD						1
11008	11008-0973	HEAD-COMP-CYLINDER						1
16066	16066-0012	HOLDER-THROTTLE BODY						4
49002	49002-0009	GUIDE-VALVE						16
92004	92004-0050	STUD						8
92005	92005-0826	FITTING						1
92042	92042-007	PIN,DOWEL,6.3X8X14						10
92043	92043-1264	PIN,8.2X10X14						2
92055	92055-1536	RING-O,42X1.9						4
92066	92066-0832	PLUG,18X10						5
92153	92153-0406	BOLT,TORX,6X14						8
92153A	92153-0656	BOLT,SOCKET,6X45						20
92154	92154-0205	BOLT,SOCKET,6X115						2
92154A	92154-2638	BOLT,FLANGED,10X165						10
92171	92171-0729	CLAMP,60MM						4
92200	92200-1691	WASHER,10.2X18.4X1.8						10

K2. Cylinder Head Cover

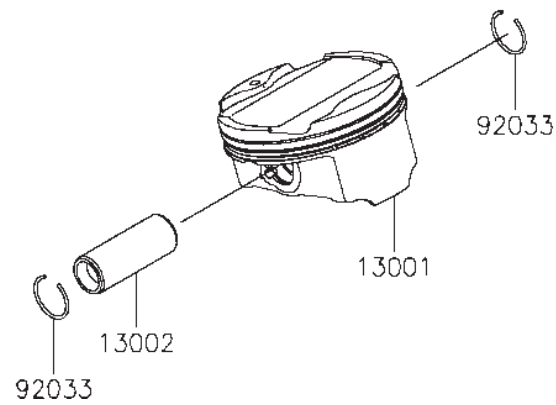
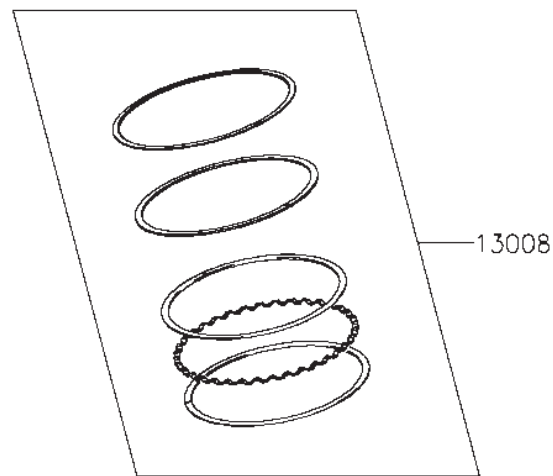
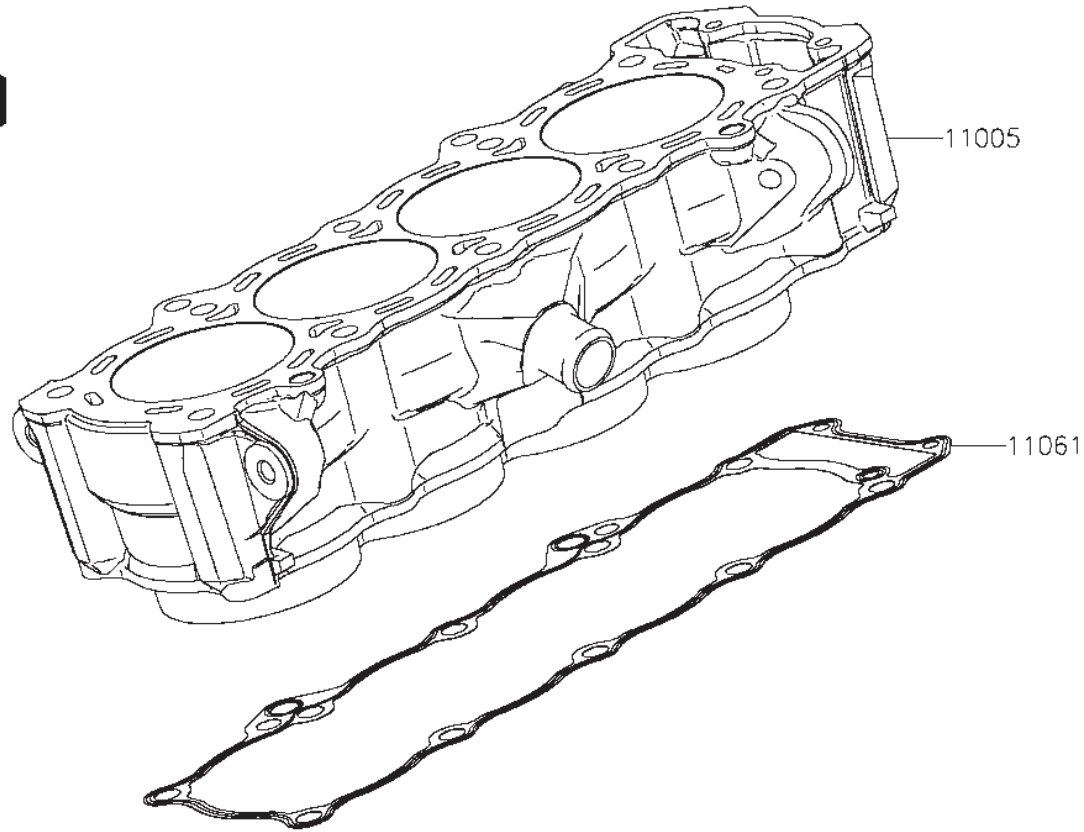


Ref. No.	Part No.	Description	Spec Code	Quantity			
				'20	'20		
				KLF	KLFA		

11061	11061-0914	GASKET,HEAD COVER				
11061A	11061-1213	GASKET,SPARK PLUG	4	4		
11065	11065-0328	CAP,HEAD COVER	2	2		
12021	12021-0016	VALVE-ASSY-REED	2	2		
14093	14093-0562	COVER,HEAD	1	1		
92043	92043-4009	PIN,10.1X12X14	4	4		
92055	92055-0785	RING-O	6	6		
92153	92153-1779	BOLT,SOCKET,6X22.5	6	6		
92154	92154-0351	BOLT,SOCKET,6X18	4	4		

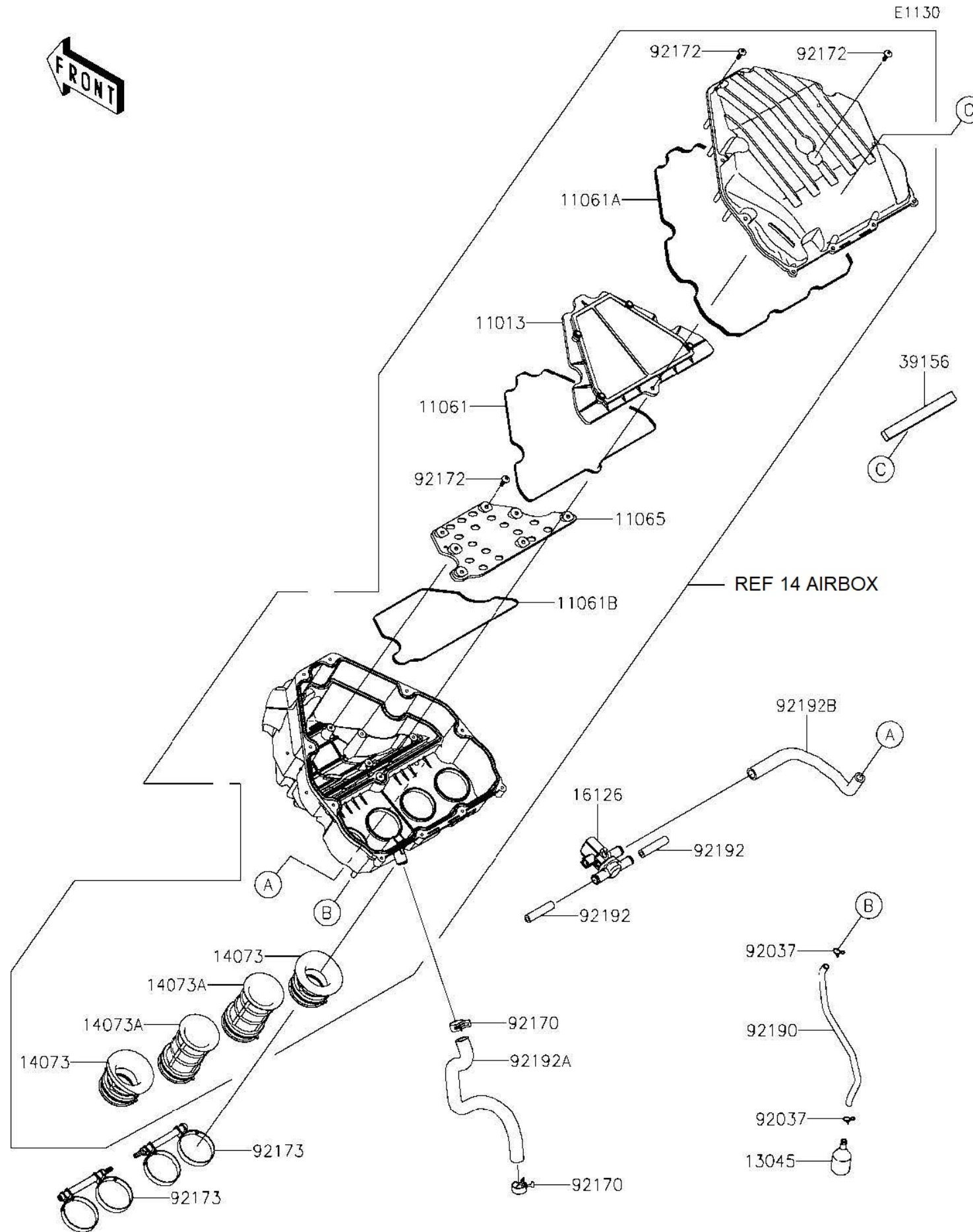
K3. Cylinder/Piston(s)

E1120



Ref. No.	Part No.	Description	Spec Code	Quantity			
				'20	'20		
				KLF	KLFA		
11005	11005-0713	CYLINDER-ENGINE		1	1		
11061	11061-0402	GASKET,CYLINDER BASE		1	1		
13001	13001-0799	PISTON-ENGINE		4	4		
13002	13002-0004	PIN-PISTON		4	4		
13008	13008-0588	RING-SET-PISTON		4	4		
92033	92033-1054	RING-SNAP		8	8		

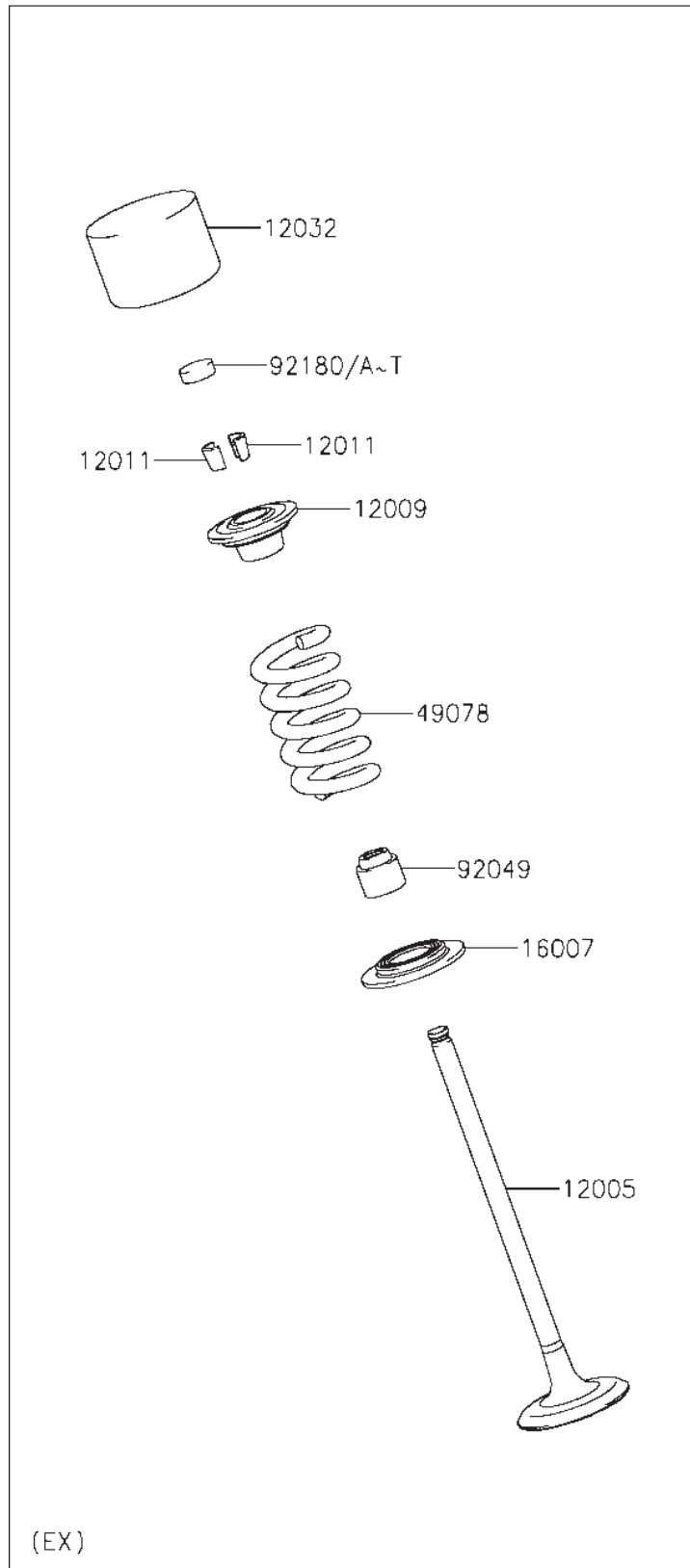
K4. Air Cleaner



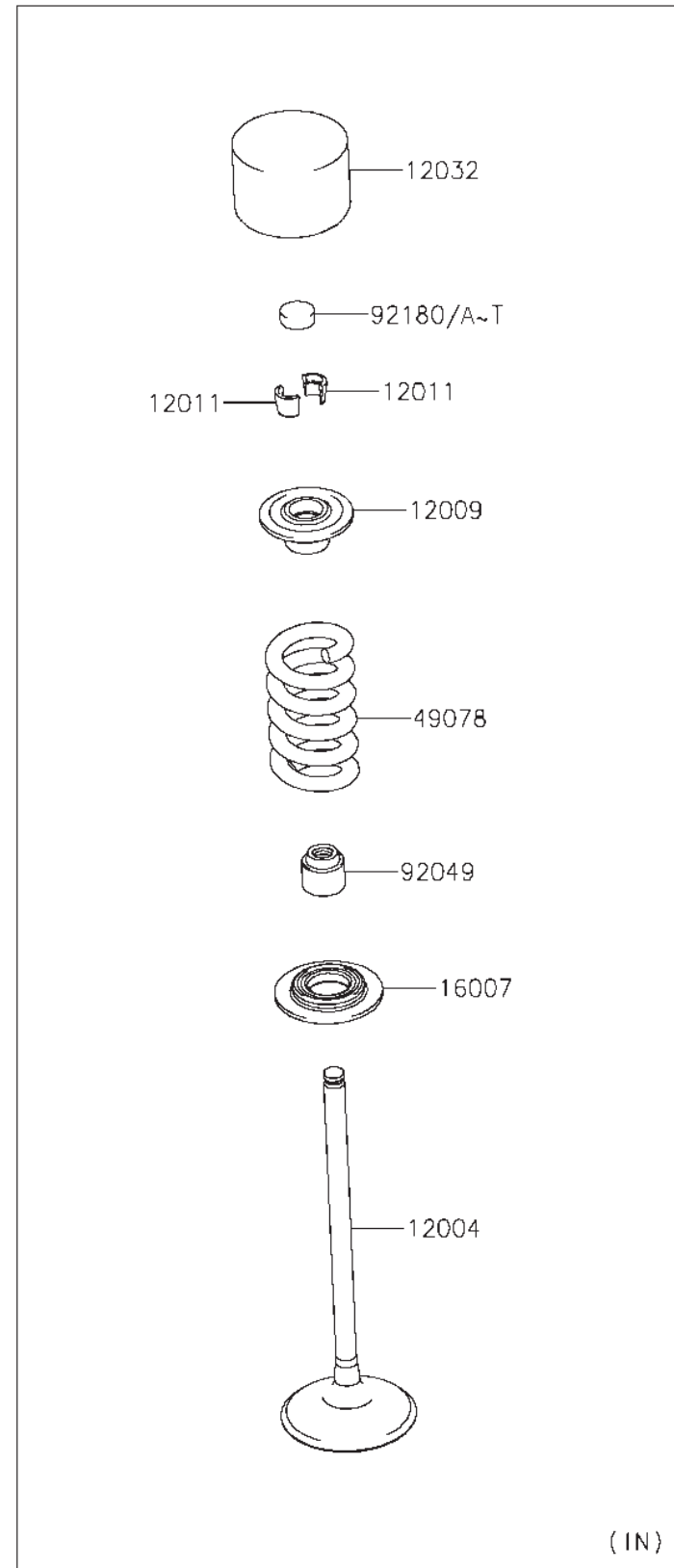
Ref. No.	Part No.	Description	Spec Code	Quantity			
				'20	'20		
				KLF	KLFA		
11013	11013-0712	ELEMENT-AIR FILTER		1	1		
11061	11061-0405	GASKET,ELEMENT		1	1		
11061A	11061-0406	GASKET,CASE		1	1		
11061B	11061-0424	GASKET		1	1		
11065	11065-1332	CAP		1	1		
13045	13045-1057	RECEIVER-OIL		1	1		
14073	14073-0953	DUCT,#1		2	2		
14073A	14073-0960	DUCT,#2		2	2		
16126	16126-0745	VALVE,AIR SWITCHING		1	1		
39156	39156-2569	PAD,15X145X10		1	1		
92037	92037-1712	CLAMP		2	2		
92170	92170-1060	CLAMP		2	2		
92172	92172-0483	SCREW,TAPPING,5X20		18	18		
92173	92173-2242	CLAMP		2	2		
92190	92190-1253	TUBE,6X9X300		1	1		
92192	92192-0843	TUBE,HEAD-ASWV		2	2		
92192A	92192-0845	TUBE,BLOWBY		1	1		
92192B	92192-1913	TUBE,ASWV-A/C		1	1		

K6. Valve(s)

E1210



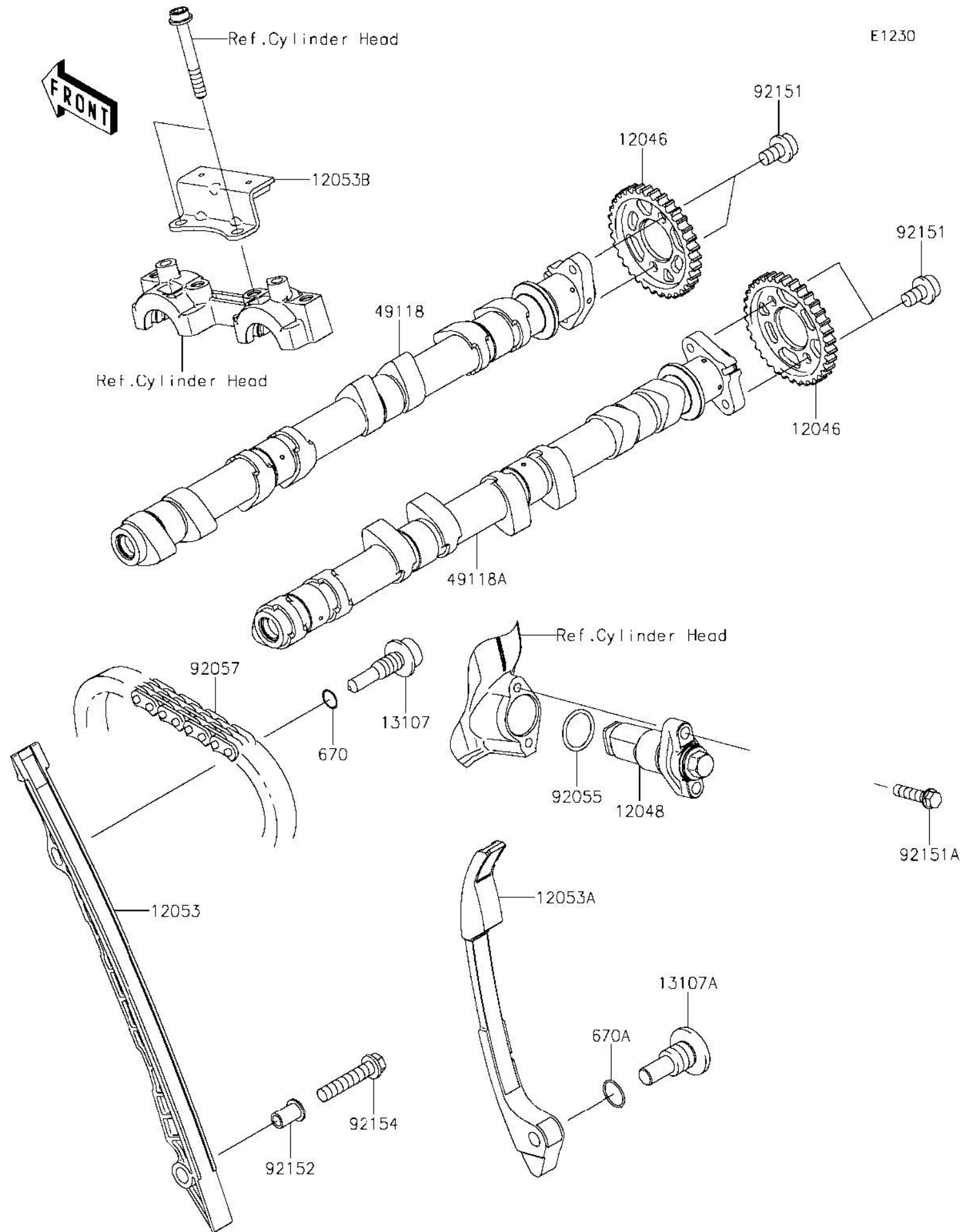
(EX)



(IN)

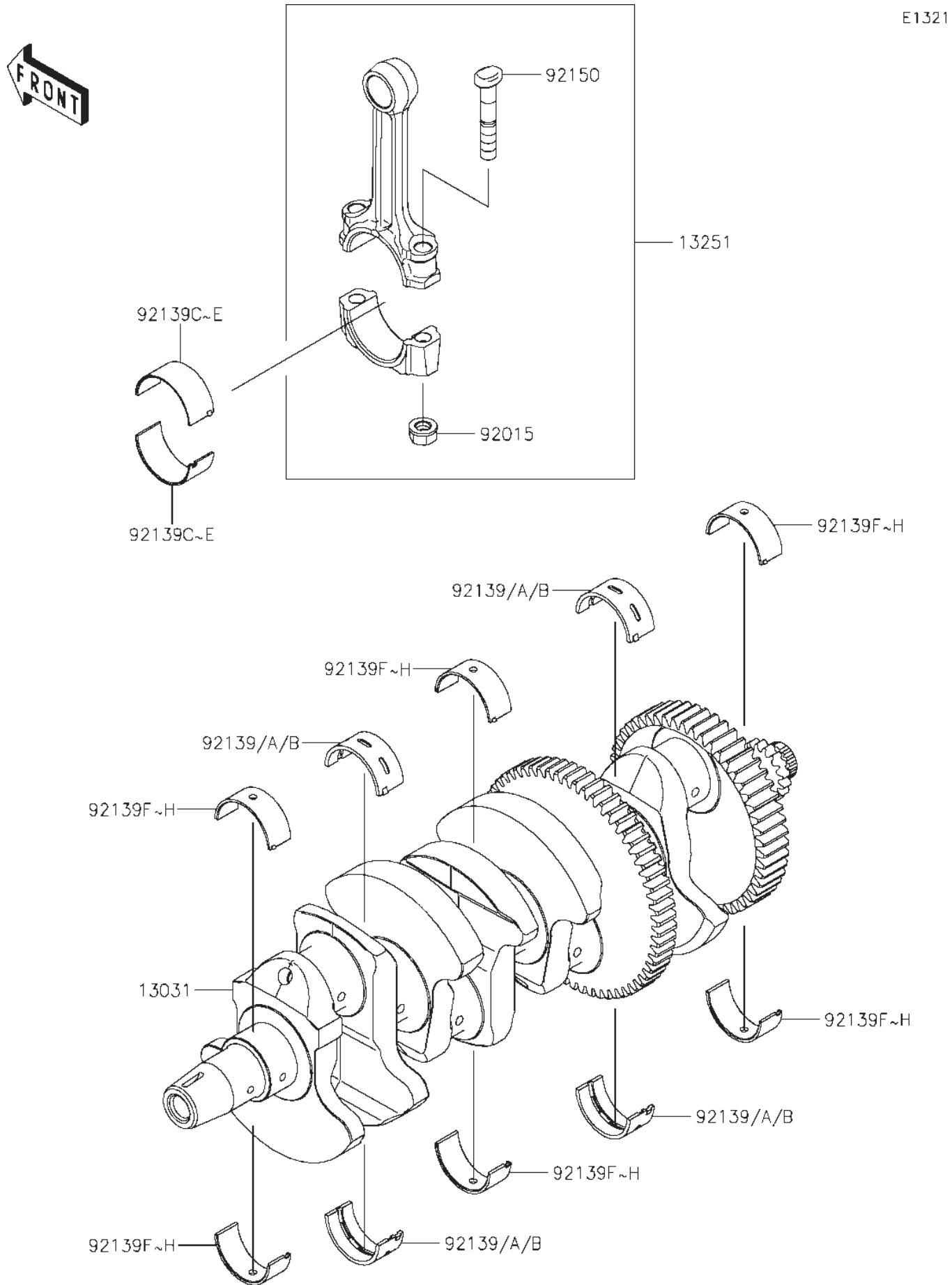
Ref. No.	Part No.	Description	Spec Code	Quantity			
				'20	'20		
				KLF	KLFA		
12004	12004-0747	VALVE-INTAKE		8	8		
12005	12005-0768	VALVE-EXHAUST		8	8		
12009	12009-1091	RETAINER-VALVE SPRING		16	16		
12011	12011-1053	COLLET		32	32		
12032	12032-0009	TAPPET		16	16		
16007	16007-0034	SEAT-SPRING		16	16		
49078	49078-0073	SPRING-ENGINE VALVE		16	16		
92049	92049-1349	SEAL-OIL, VSB 4.3 7.5 5.3 8.3		16	16		
92180	92180-1014	SHIM, T=2.50		16	16		
92180A	92180-1016	SHIM, T=2.55		AR	AR		
92180B	92180-1018	SHIM, T=2.60		AR	AR		
92180C	92180-1020	SHIM, T=2.65		AR	AR		
92180D	92180-1022	SHIM, T=2.70		AR	AR		
92180E	92180-1024	SHIM, T=2.75		AR	AR		
92180F	92180-1026	SHIM, T=2.80		AR	AR		
92180G	92180-1028	SHIM, T=2.85		AR	AR		
92180H	92180-1030	SHIM, T=2.90		AR	AR		
92180I	92180-1032	SHIM, T=2.95		AR	AR		
92180J	92180-1034	SHIM, T=3.00		AR	AR		
92180K	92180-1036	SHIM, T=3.05		AR	AR		
92180L	92180-1038	SHIM, T=3.10		AR	AR		
92180M	92180-1040	SHIM, T=3.15		AR	AR		
92180N	92180-1042	SHIM, T=3.20		AR	AR		
92180O	92180-1044	SHIM, T=3.25		AR	AR		
92180P	92180-1046	SHIM, T=3.30		AR	AR		
92180Q	92180-1048	SHIM, T=3.35		AR	AR		
92180R	92180-1050	SHIM, T=3.40		AR	AR		
92180S	92180-1052	SHIM, T=3.45		AR	AR		
92180T	92180-1054	SHIM, T=3.50		AR	AR		

K7. Camshaft(s)/Tensioner



Ref. No.	Part No.	Description	Spec Code	Quantity			
				'20	'20		
				KLF	KLFA		
12046	12046-0564	SPROCKET,CAMSHAFT,34T		2	2		
12048	12048-0080	TENSIONER-ASSY		1	1		
12053	12053-0161	GUIDE-CHAIN,FR		1	1		
12053A	12053-0162	GUIDE-CHAIN,RR		1	1		
12053B	12053-0163	GUIDE-CHAIN,UPP		1	1		
13107	13107-0157	SHAFT,CHAIN GUIDE SHAFT		1	1		
13107A	13107-1376	CAMSHAFT-		1	1		
49118	49118-0942	COMP,EXHAUST		1	1		
49118A	49118-0979	CAMSHAFT-COMP,INTAKE		1	1		
92055	92055-086	RING-O,18.8X1.9		1	1		
92057	92057-0202	CHAIN,98XRH2015-126M		1	1		
92151	92151-1829	BOLT,SOCKET,6X10		4	4		
92151A	92151-1930	BOLT,FLANGED-SMALL,6X25		2	2		
92152	92152-1167	COLLAR		1	1		
92154	92154-1942	BOLT,FLANGED,6X30		1	1		
670	670D1509	O RING,9MM		1	1		
670A	670D2014	O RING,14MM		1	1		

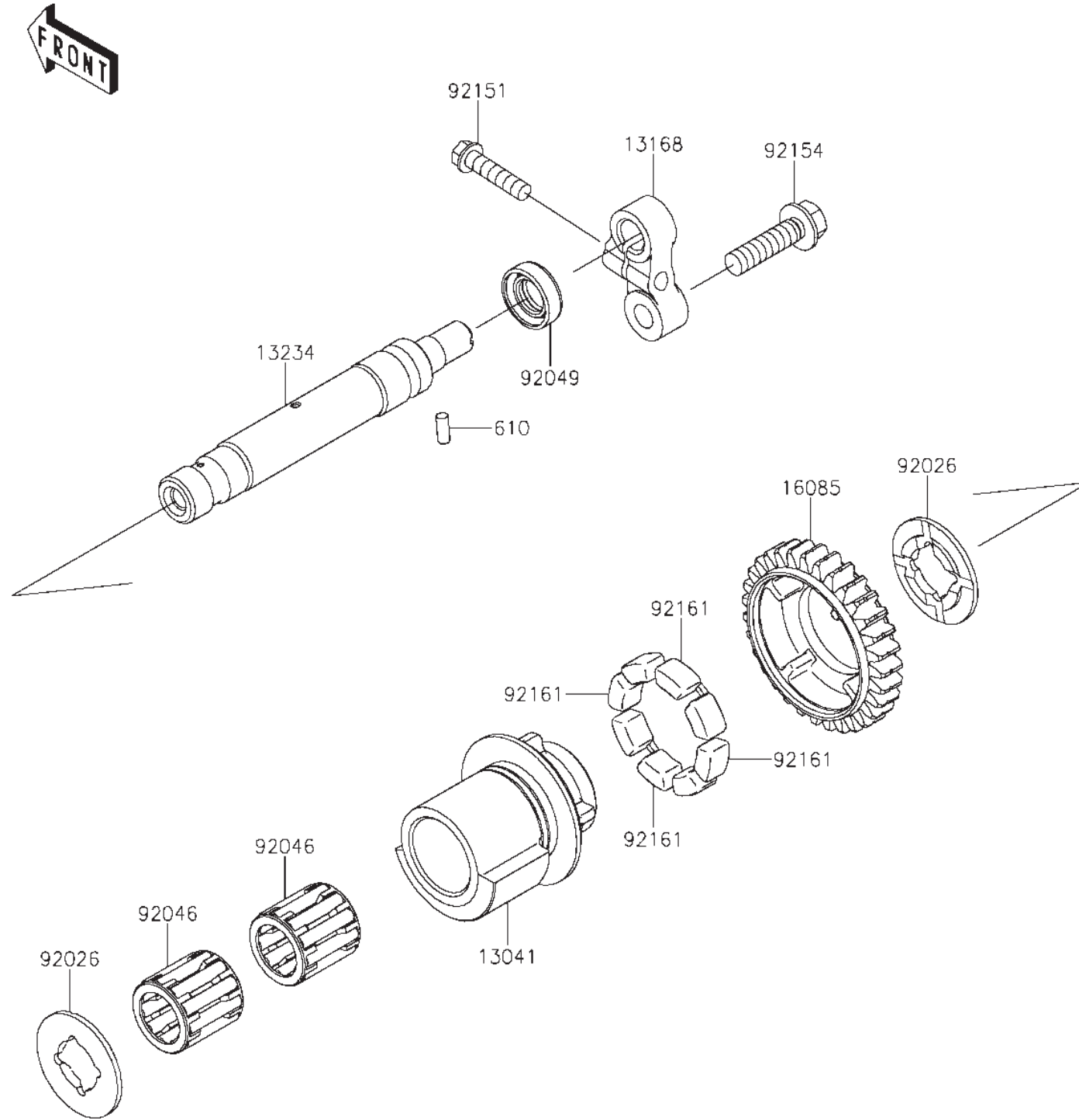
K8. Crankshaft



Ref. No.	Part No.	Description	Spec Code	Quantity			
				'20	'20		
				KLF	KLFA		
13031	13031-0935	CRANKSHAFT-COMP		1		1	
13251	13251-0739-II	ROD-ASSY-CONNECTING,II		4		4	
92015	92015-1311	NUT,FLANGED,8MM		8		8	
92139	92139-0032	BUSHING,CRANK #2,BLUE		AR		AR	
92139A	92139-0033	BUSHING,CRANK #2,BLACK		4		4	
92139B	92139-0034	BUSHING,CRANK #2,BROWN		AR		AR	
92139C	92139-0122	BUSHING,CRANK PIN,BLUE		AR		AR	
92139D	92139-0123	BUSHING,CRANK PIN,BLACK		8		8	
92139E	92139-0124	BUSHING,CRANK PIN,BROWN		AR		AR	
92139F	92139-0217	BUSHING,CRANK,#1,BLUE		AR		AR	
92139G	92139-0218	BUSHING,CRANK,#1,BLACK		6		6	
92139H	92139-0219	BUSHING,CRANK,#1,BROWN		AR		AR	
92150	92150-1216	BOLT,CONNECTING ROD,8MM		8		8	

E1323

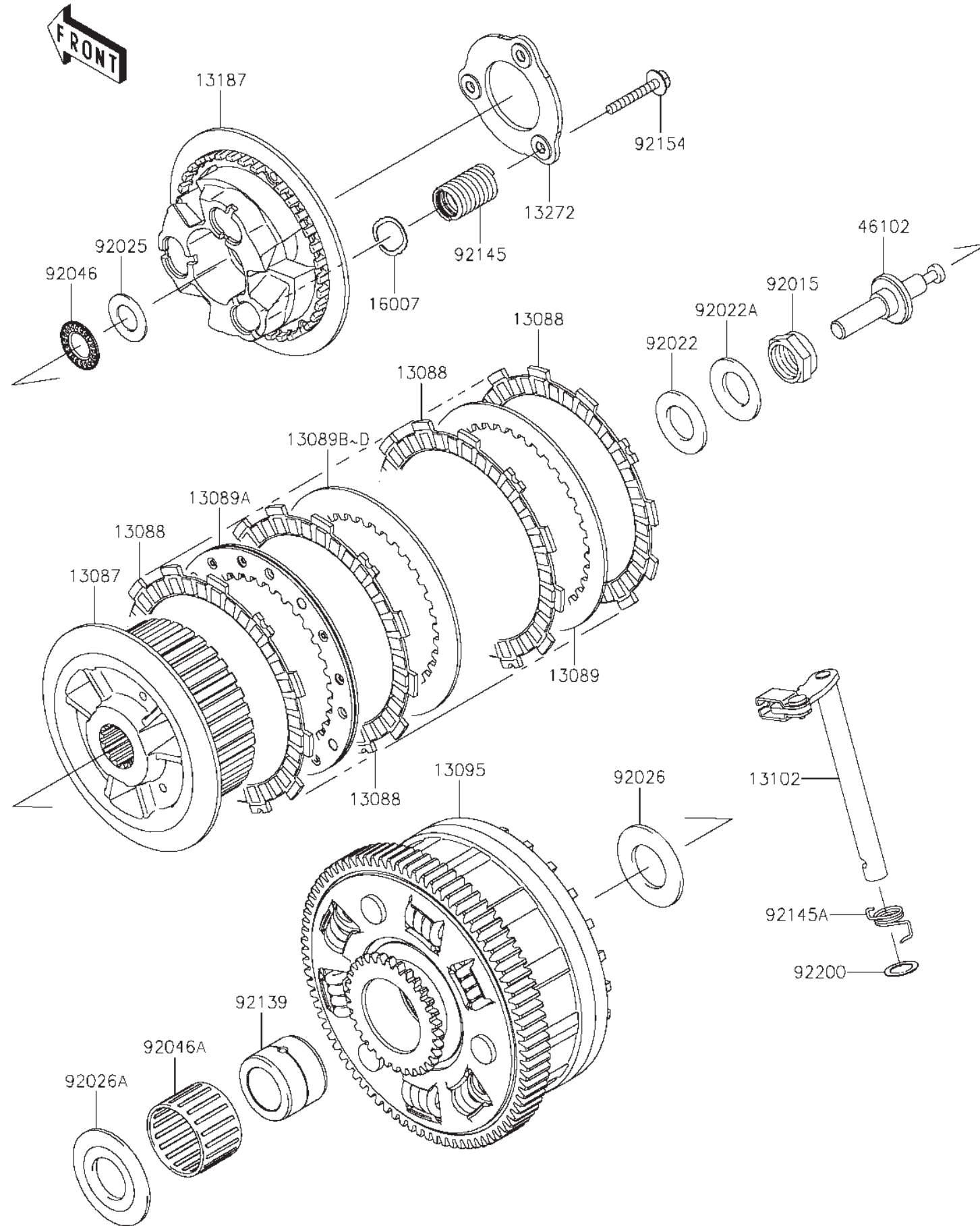
K9. Balancer



Ref. No.	Part No.	Description	Spec Code	Quantity			
				'20	'20		
				KLF	KLFA		
13041	13041-0040	BALANCER		1	1		
13168	13168-0115	LEVER		1	1		
13234	13234-0038	SHAFT-COMP		1	1		
16085	16085-0134	GEAR,BALANCER,31T		1	1		
92026	92026-0082	SPACER		2	2		
92046	92046-1266	BEARING-NEEDLE		2	2		
92049	92049-2204	SEAL-OIL,TC 12X22X7		1	1		
92151	92151-1930	BOLT,FLANGED-SMALL,6X25		1	1		
92154	92154-1796	BOLT,FLANGED,8X30		1	1		
92161	92161-1055	DAMPER		4	4		
610	610A0410	ROLLER,4X10		1	1		

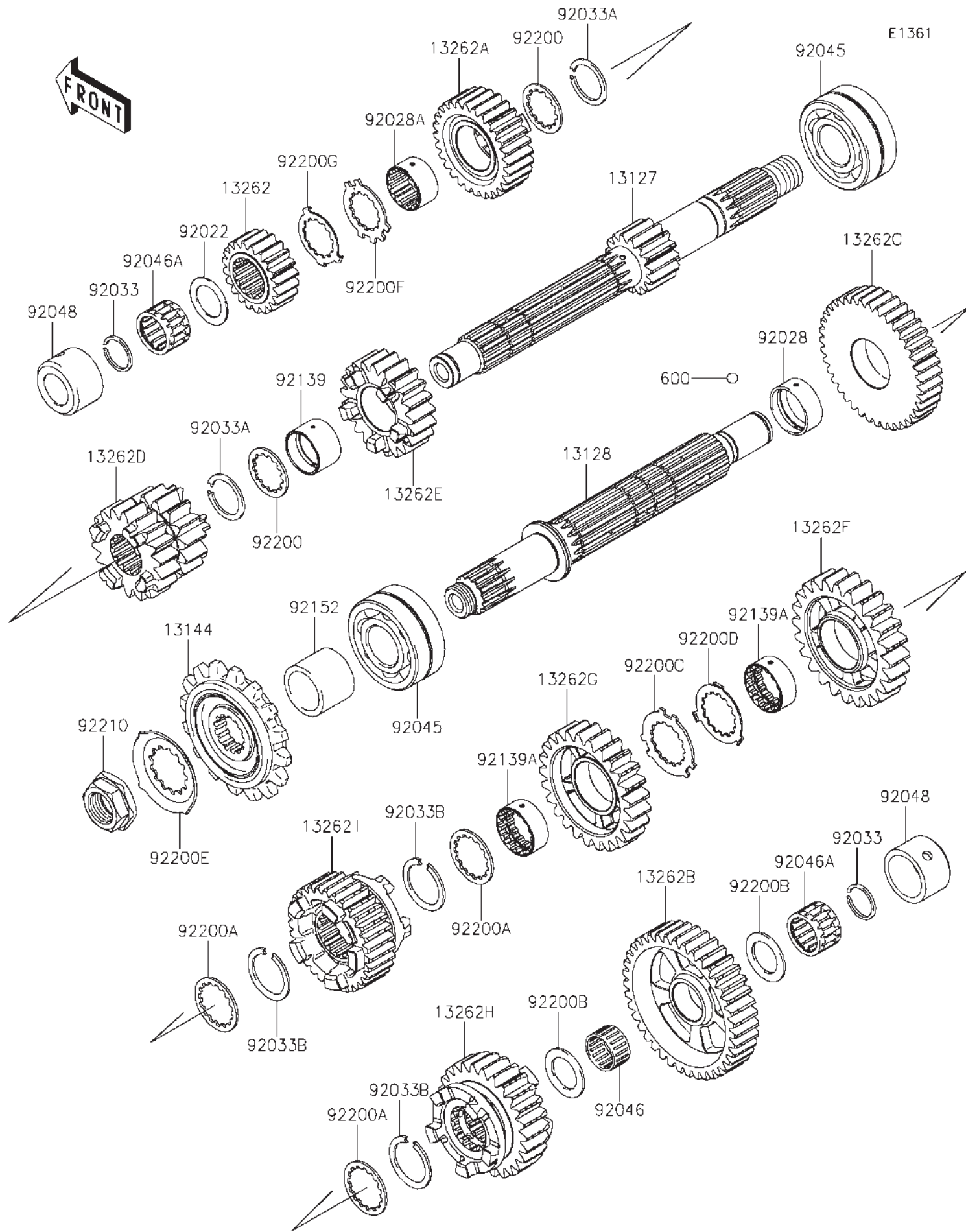
K10. Clutch

E1350



Ref. No.	Part No.	Description	Spec Code	Quantity			
				'20	'20		
				KLF	KLFA		
13087	13087-0583	HUB-CLUTCH		1	1		
13088	13088-0568	PLATE-FRICTION		9	9		
13089	13089-0023	PLATE-CLUTCH,T=2.3		1	1		
13089A	13089-0024	PLATE-CLUTCH,SPG COMP		1	1		
13089B	13089-1073	PLATE-CLUTCH,T=2.0		AR	AR		
13089C	13089-1084	PLATE-CLUTCH,T=2.3		6	6		
13089D	13089-1115	PLATE-CLUTCH,T=2.6		AR	AR		
13095	13095-0572	HOUSING-COMP-CLUTCH		1	1		
13102	13102-0079	RELEASE-COMP-CLUTCH		1	1		
13187	13187-0031	PLATE-CLUTCH OPERATING		1	1		
13272	13272-1413	PLATE		1	1		
16007	16007-0711	SEAT-SPRING		3	3		
46102	46102-0630	ROD		1	1		
92015	92015-1555	NUT,20MM		1	1		
92022	92022-1116	WASHER,20.3X36X2.3		1	1		
92022A	92022-1868	WASHER,20.3X36X3.7		1	1		
92025	92025-1137	SHIM,15.3X27.5X1.20		1	1		
92026	92026-022	SPACER,25.5X47X2.5		1	1		
92026A	92026-1497	SPACER		1	1		
92046	92046-1052	BEARING-NEEDLE,AXK1102		1	1		
92046A	92046-1263	BEARING-NEEDLE,K38X43X28.8X		1	1		
92139	92139-0067	BUSHING,25X38X29.05		1	1		
92145	92145-1630	SPRING		3	3		
92145A	92145-1770	SPRING,RELEASE-COMP		1	1		
92154	92154-1116	BOLT,FLANGED,6X35		3	3		
92200	92200-1487	WASHER,12X18.5X0.5		1	1		

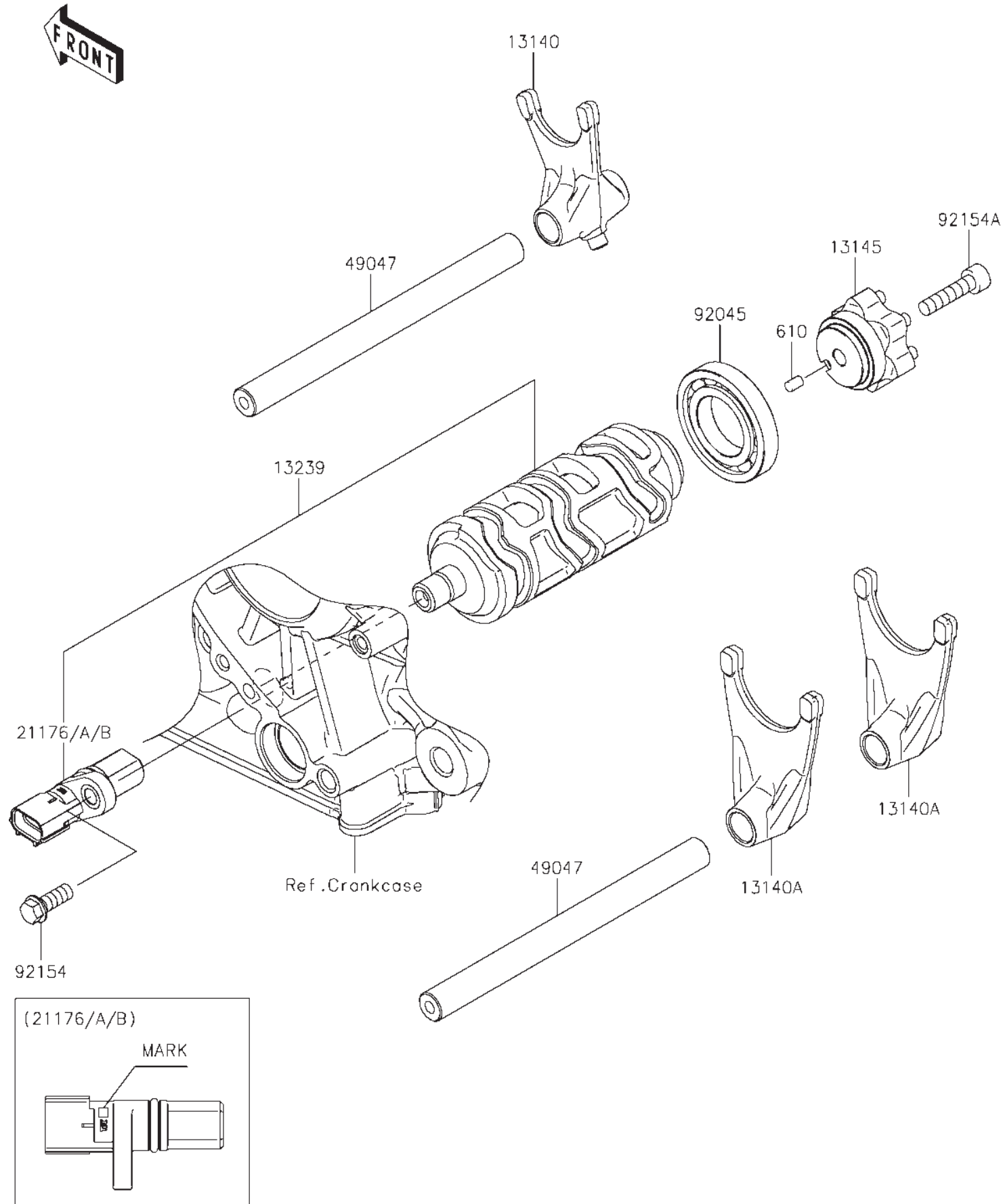
K11. Transmission



Ref. No.	Part No.	Description	Spec Code	Quantity			
				'20	'20		
				KLF	KLFA		
13127	13127-0702	SHAFT-TRANSMISSION INPUT		1	1		
13128	13128-0715	SHAFT-TRANSMISSION OUTPUT		1	1		
13144	13144-0579	SPROCKET-OUTPUT,15T		1	1		
13262	13262-1424	GEAR,INPUT 2ND,20T		1	1		
13262A	13262-1427	GEAR,INPUT TOP,28T		1	1		
13262B	13262-1428	GEAR,OUTPUT LOW,39T		1	1		
13262C	13262-1429	GEAR,OUTPUT 2ND,39T		1	1		
13262D	13262-1482	GEAR,INPUT 3RD&4TH,15T&18T		1	1		
13262E	13262-1483	GEAR,INPUT 5TH,21T		1	1		
13262F	13262-1484	GEAR,OUTPUT 3RD,24T		1	1		
13262G	13262-1485	GEAR,OUTPUT 4TH,25T		1	1		
13262H	13262-1486	GEAR,OUTPUT 5TH,26T		1	1		
13262I	13262-1487	GEAR,OUTPUT TOP,31T		1	1		
92022	92022-112	WASHER,20.5X30X1,STEEL		1	1		
92028	92028-1739	BUSHING,OUTPUT,2ND		1	1		
92028A	92028-1915	BUSHING,INPUT TOP GEAR		1	1		
92033	92033-015	RING-SNAP,20MM		2	2		
92033A	92033-026	RING-SNAP,24MM		2	2		
92033B	92033-1249	RING-SNAP,T=1.5		3	3		
92045	92045-0003	BEARING-BALL,DAC2557NSSH		2	2		
92046	92046-1219	BEARING-NEEDLE,K20X24X13		1	1		
92046A	92046-1303	BEARING-NEEDLE,PK20X27X17X3		2	2		
92048	92048-0016	RACE		2	2		
92139	92139-0280	BUSHING,25X28X17.8		1	1		
92139A	92139-0281	BUSHING,OUTPUT,3RD&4TH		2	2		
92152	92152-0812	COLLAR,SPROCKET		1	1		
92200	92200-1239	WASHER,25.2X31.0X1.5		2	2		
92200A	92200-1240	WASHER,28.5X34.0X1.5		3	3		
92200B	92200-1375	WASHER,20.5X31X1.5		2	2		
92200C	92200-1522	WASHER,25.8X40.5X1.5		1	1		
92200D	92200-1523	WASHER,25.2X37.0X1.0		1	1		
92200E	92200-1720	WASHER		1	1		
92200F	92200-1941	WASHER,22.6X34.2X1.5		1	1		
92200G	92200-1942	WASHER,22X32X1		1	1		
92210	92210-0850	NUT,20MM		1	1		
600	600A0500	BALL-STEEL,5/32		3	3		

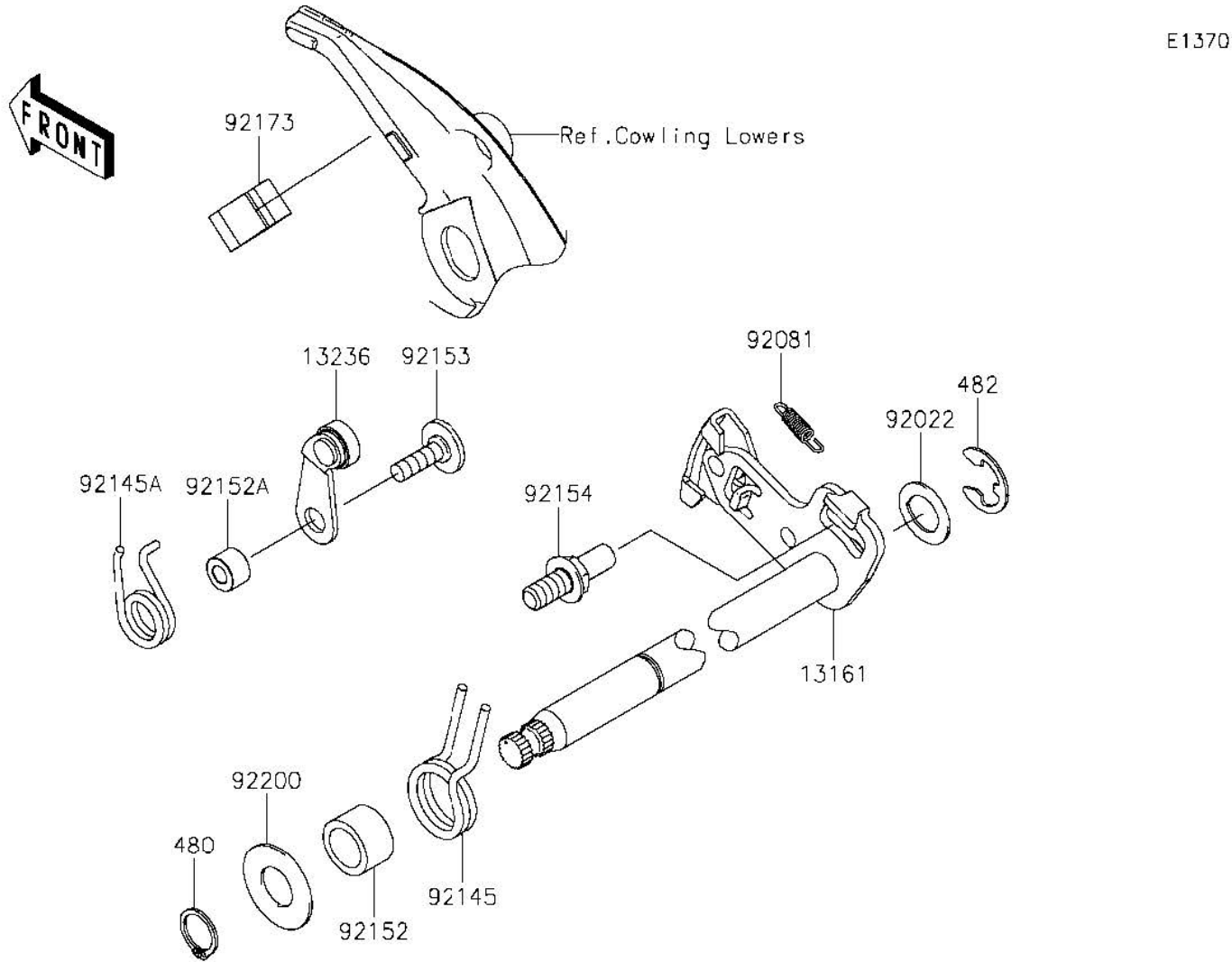
K12. Gear Change Drum/Shift Fork(s)

E1362



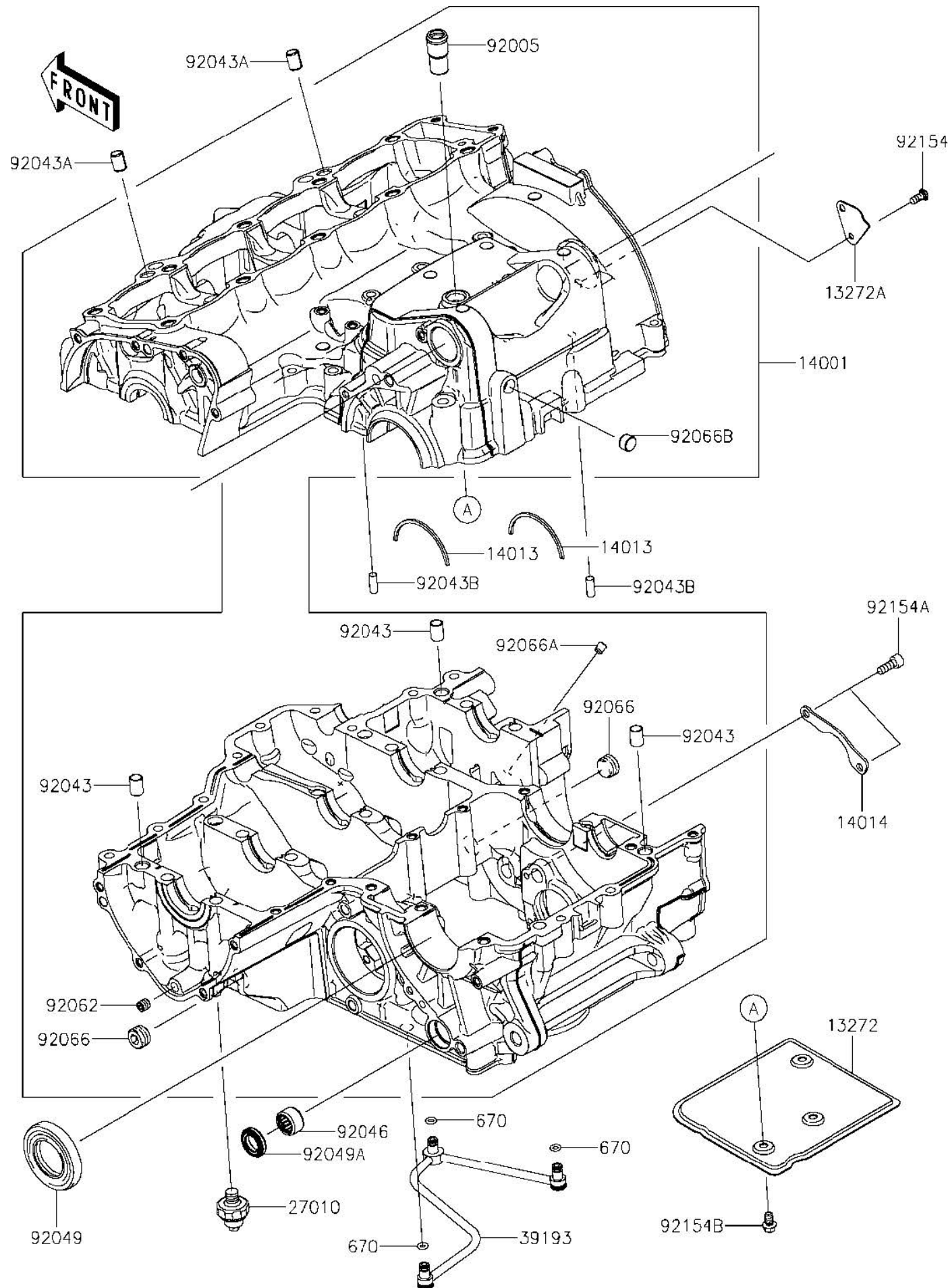
Ref. No.	Part No.	Description	Spec Code	Quantity			
				'20	'20		
				KLF	KLFA		
13140	13140-0061	FORK-SHIFT		1	1		
13140A	13140-0062	FORK-SHIFT		2	2		
13145	13145-0048	CAM-CHANGE DRUM		1	1		
13239	13239-0600	DRUM-ASSY-CHANGE		1	1		
21176	21176-0825	SENSOR,GEAR POSITION,M MARK		1	1		
21176A	21176-0845	SENSOR,GEAR POSITION,H MARK		1	1		
21176B	21176-0846	SENSOR,GEAR POSITION,L MARK		1	1		
49047	49047-0644	ROD-SHIFT		2	2		
92045	92045-1045	BEARING-BALL,16005		1	1		
92154	92154-2096	BOLT,FLANGED,6X16		1	1		
92154A	92154-3829	BOLT,SOCKET,6X25		1	1		
610	610A0406	ROLLER,4X6		1	1		

K13. Gear Change Mechanism



Ref. No.	Part No.	Description	Spec Code	Quantity			
				'20	'20		
				KLF	KLFA		
13161	13161-0604	LEVER-COMP-CHANGE SHAFT		1	1		
13236	13236-0835	LEVER-COMP		1	1		
92022	92022-1628	WASHER,CHANGE SHAFT		1	1		
92081	92081-1708	SPRING,PAWL RETURN		1	1		
92145	92145-1122	SPRING		1	1		
92145A	92145-1946	SPRING		1	1		
92152	92152-1383	COLLAR,14.2X19.9X12.0		1	1		
92152A	92152-2705	COLLAR		1	1		
92153	92153-1505	BOLT,6X20		1	1		
92154	92154-1838	BOLT,RETURN SPRING		1	1		
92173	92173-0127	CLAMP,CLIP		1	1		
92200	92200-0265	WASHER		1	1		
480	480J1400	CIRCLIP-TYPE-C,14MM		1	1		
482	482J0200	CIRCLIP-TYPE-E,12MM		1	1		

K14. Crankcase

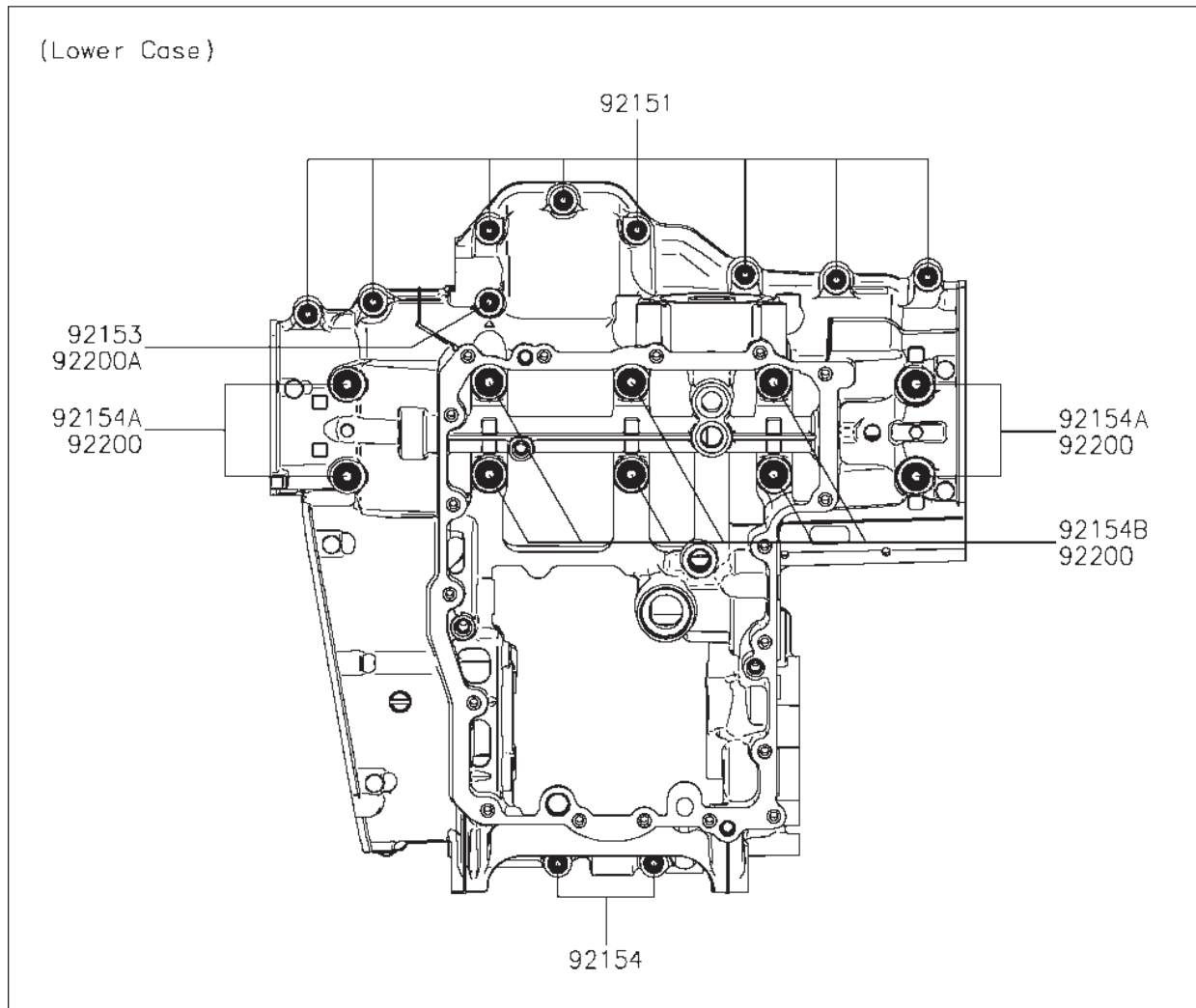
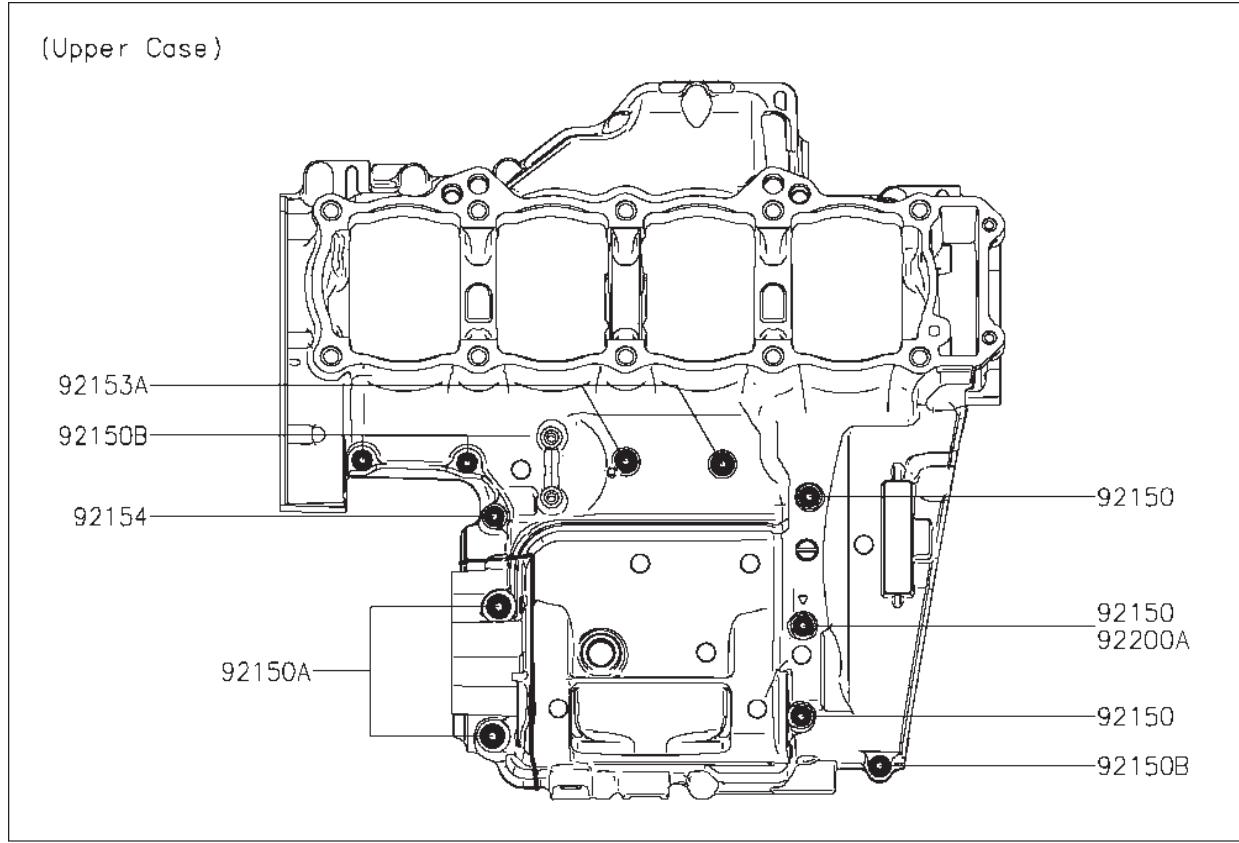


Ref. No.	Part No.	Description	Spec Code	Quantity	
				'20	'20
				KLF	KLFA
13272	13272-0698	PLATE,BREATHER,UPP		1	1
13272A	13272-0699	PLATE,BREATHER,SIDE		1	1
14001	14001-0708	SET-CRANKCASE		1	1
14013	14013-1051	RING-POSITION		2	2
14014	14014-0036	PLATE-POSITION		1	1
27010	27010-1313	SWITCH,OIL PRESSURE		1	1
39193	39193-0054	PIPE-OIL		1	1
92005	92005-1238	FITTING,BREATHER		1	1
92043	92043-1037	PIN,DOWEL,10X14		3	3
92043A	92043-1264	PIN,8.2X10X14		2	2
92043B	92043-1690	PIN,6X16		2	2
92046	92046-0043	BEARING-NEEDLE,HK1412FM		1	1
92049	92049-1474	SEAL-OIL,TC32578		1	1
92049A	92049-1520	SEAL-OIL,TC14245		1	1
92062	92062-0046	NOZZLE		1	1
92066	92066-0836	PLUG		2	2
92066A	92066-1012	PLUG,OIL LINE,7.2X8		1	1
92066B	92066-1110	PLUG		1	1
92154	92154-0299	BOLT,TORX,5X12		1	1
92154A	92154-0484	BOLT,SOCKET,6X16		2	2
92154B	92154-1887	BOLT,FLANGED,6X10		3	3
670	670D1505	O RING		3	3

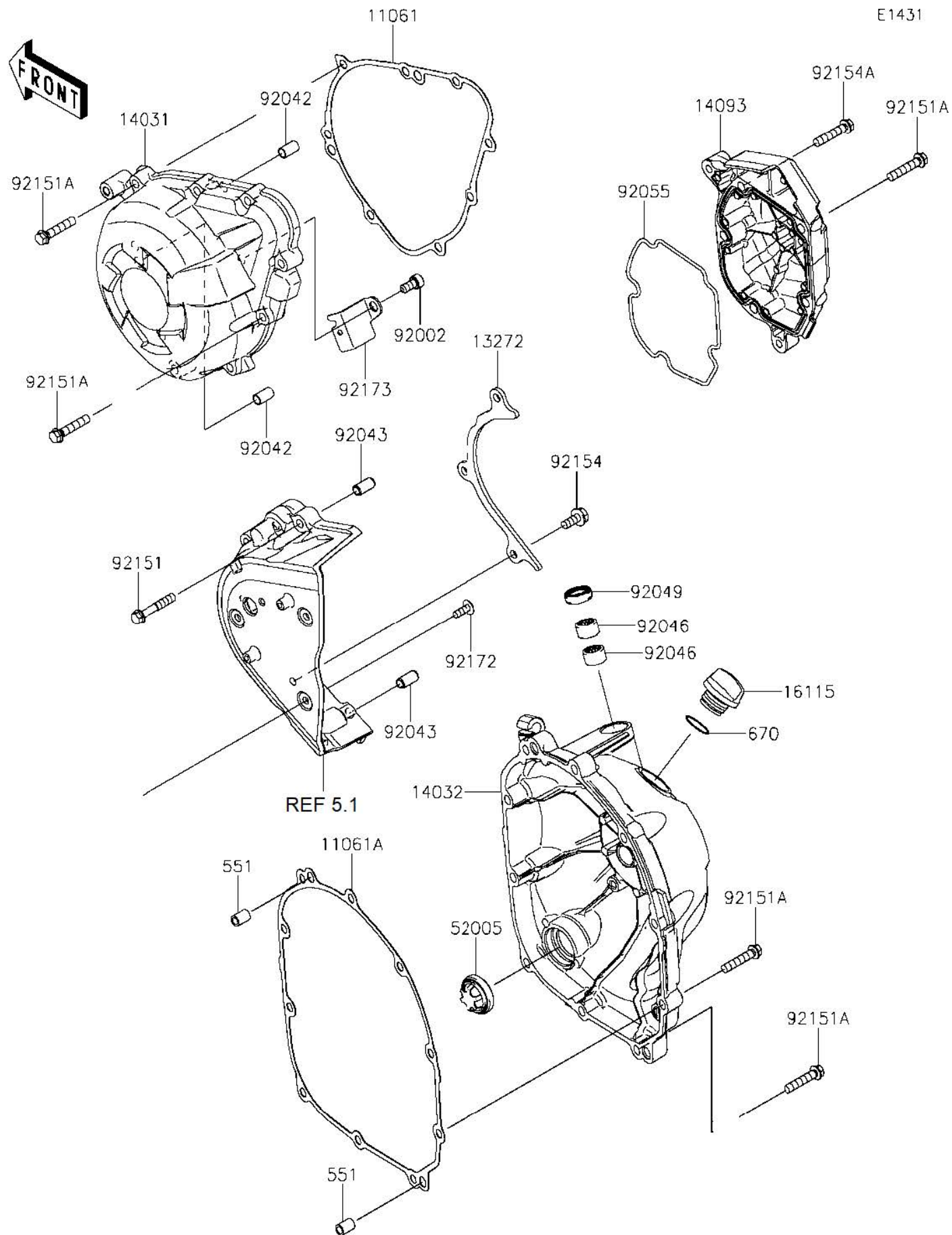
K15. Crankcase Bolt Pattern

E1412

Ref. No.	Part No.	Description	Spec Code	Quantity	
				'20	'20
				KLF	KLFA
92150	92150-1251	BOLT,FLANGED,7X85		3	3
92150A	92150-1483	BOLT,8X70		2	2
92150B	92150-1794	BOLT,6X40		3	3
92151	92151-1539	BOLT,FLANGED,7X45		8	8
92153	92153-1045	BOLT,FLANGED,7X60		1	1
92153A	92153-1637	BOLT,FLANGED,6X68		2	2
92154	92154-0372	BOLT,FLANGED,7X50		3	3
92154A	92154-2639	BOLT,FLANGED,9X100		4	4
92154B	92154-2640	BOLT,FLANGED,9X90		6	6
92200	92200-0115	WASHER,9.2X19X2.3		10	10
92200A	92200-0556	WASHER		2	2



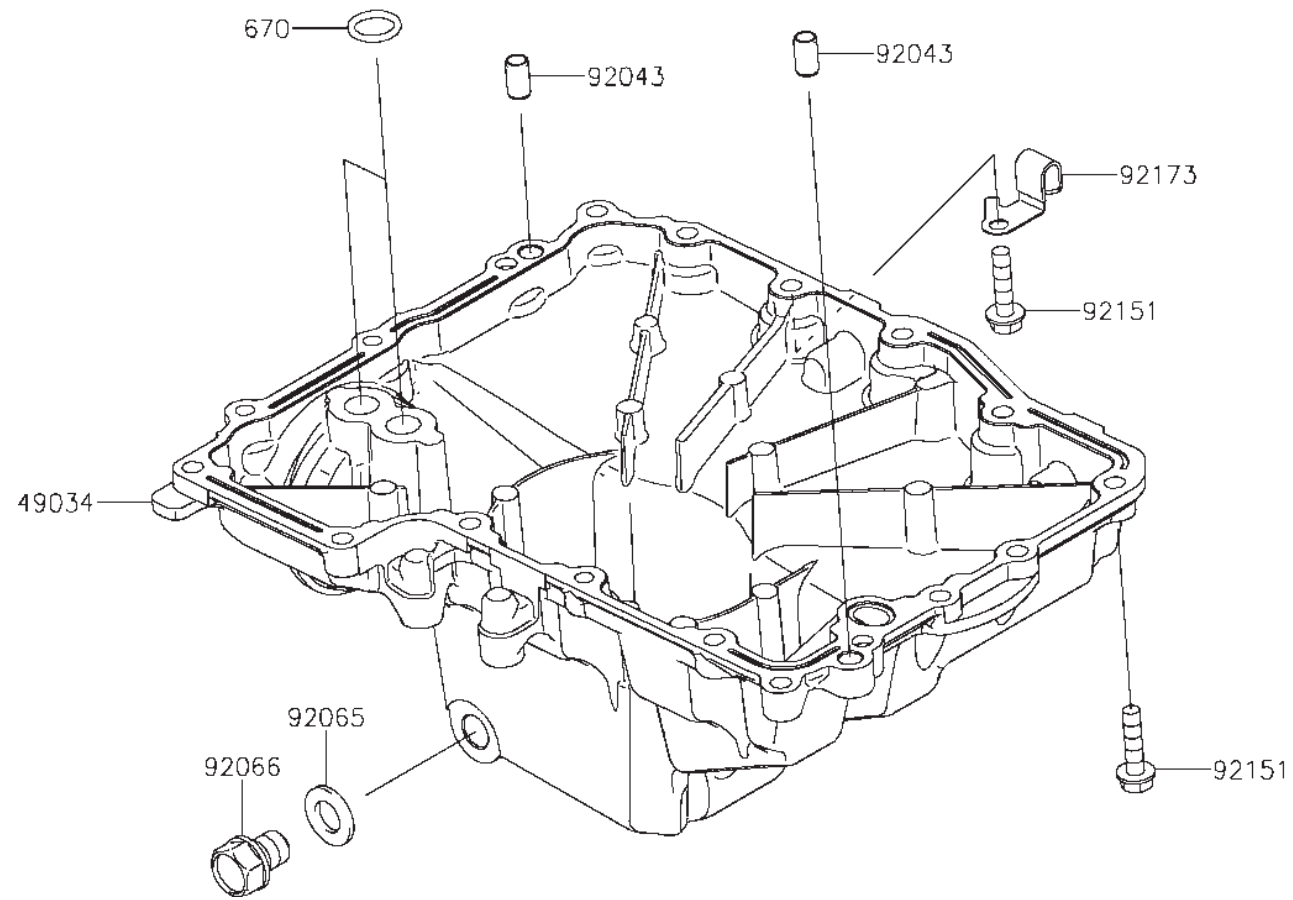
K16. Engine Cover(s)



Ref. No.	Part No.	Description	Spec Code	Quantity			
				'20	'20		
				KLF	KLFA		
11061	11061-0403	GASKET,GENERATOR COVER		1	1		
11061A	11061-0404	GASKET,CLUTCH COVER		1	1		
13272	13272-0859	PLATE		1	1		
14031	14031-0610	COVER-GENERATOR		1	1		
14032	14032-0631	COVER-CLUTCH		1	1		
14093	14093-0543	COVER,PULSER		1	1		
16115	16115-1053	CAP-OIL FILLER		1	1		
52005	52005-1120	GAUGE		1	1		
92002	92002-1796	BOLT,SOCKET,6X12		1	1		
92042	92042-007	PIN,DOWEL,6.3X8X14		2	2		
92043	92043-1263	PIN,6.2X8X14		2	2		
92046	92046-0034	BEARING-NEEDLE,HK1210FM		2	2		
92049	92049-1475	SEAL-OIL,CLUTCH RELEASE		1	1		
92055	92055-0199	RING-O,PULSER COVER		1	1		
92151	92151-1135	BOLT,6X35		4	4		
92151A	92151-1873	BOLT,6X30		22	22		
92154	92154-0482	BOLT,FLANGED,6X14		3	3		
92154A	92154-2652	BOLT,6X30		1	1		
92172	92172-0265	SCREW,TAPPING,5X14		3	3		
92173	92173-1321	CLAMP		1	1		
551	551A0814	PIN-DOWEL,8X14		2	2		
670	670B2020	O RING,20MM		1	1		

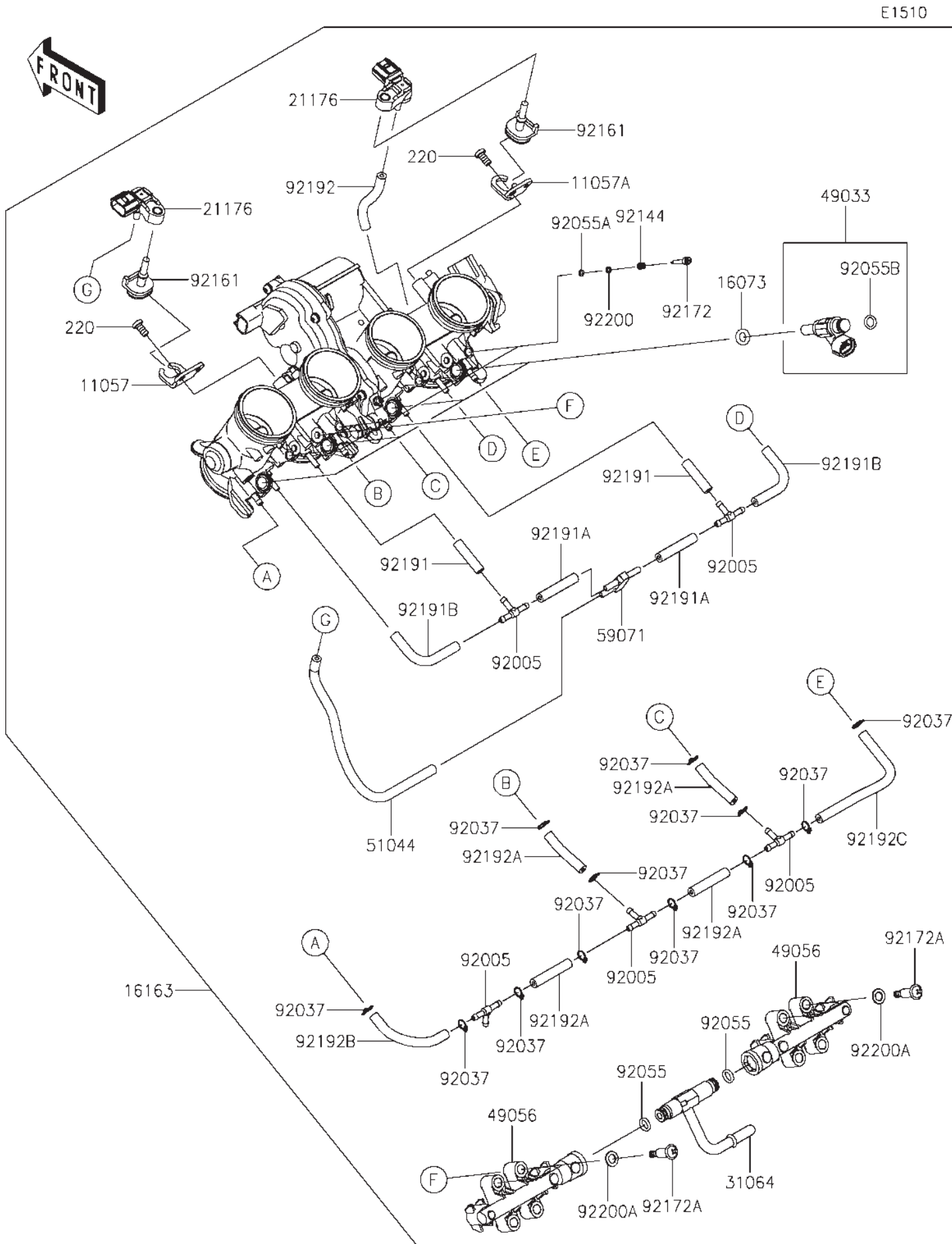
K17. Oil Pan

E1434



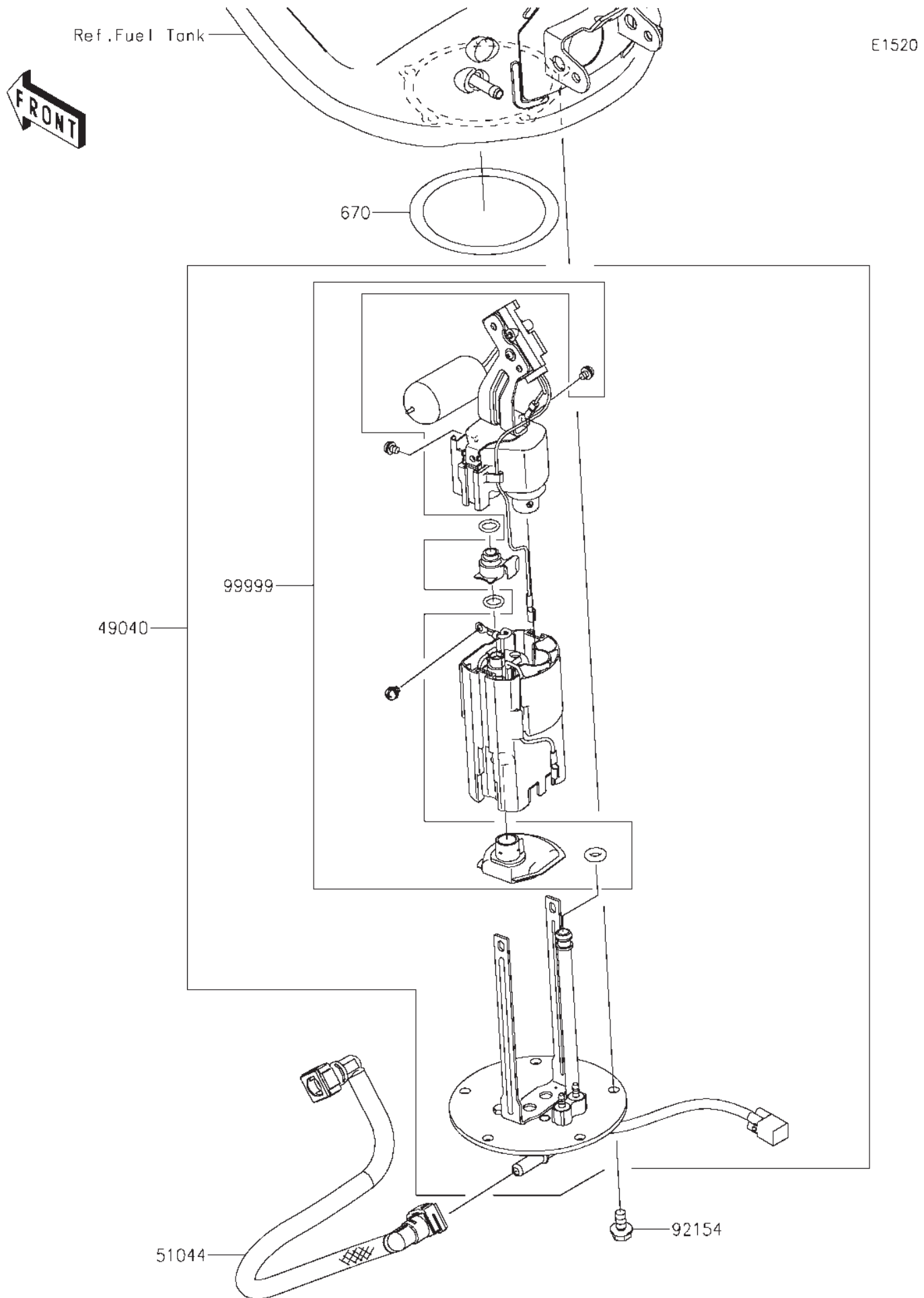
Ref. No.	Part No.	Description	Spec Code	Quantity			
				'20	'20		
				KLF	KLFA		
49034	49034-0577	PAN-OIL		1	1		
92043	92043-1263	PIN,6.2X8X14		2	2		
92065	92065-097	GASKET,12X22X2		1	1		
92066	92066-0079	PLUG,12X15		1	1		
92151	92151-1225	BOLT,FLANGED,6X25		18	18		
92173	92173-1917	CLAMP,OIL PAN		1	1		
670	670D2014	O RING,14MM		2	2		

K18. Throttle



Ref. No.	Part No.	Description	Spec Code	Quantity			
				'20	'20		
				KLF	KLFA		
11057	11057-2646	BRACKET		1	1		
11057A	11057-2647	BRACKET		1	1		
16073	16073-0848	INSULATOR		4	4		
16163	16163-1201	THROTTLE-ASSY		1	1		
21176	21176-0906	SENSOR,PRESSURE		2	2		
31064	31064-0714	PIPE-COMP		1	1		
49033	49033-0563	NOZZLE-INJECTION		4	4		
49056	49056-0561	PIPE-INJECTION		2	2		
51044	51044-0915	TUBE-ASSY		1	1		
59071	59071-0022	JOINT		1	1		
92005	92005-1380	FITTING		5	5		
92037	92037-1124	CLAMP,TUBE		12	12		
92055	92055-0761	RING-O		2	2		
92055A	92055-0840	RING-O		4	4		
92055B	92055-0937	RING-O,INJECTION NOZZLE		4	4		
92144	92144-1674	SPRING,THROTTLE STOP SCREW		4	4		
92161	92161-0673	DAMPER		2	2		
92172	92172-0156	SCREW		4	4		
92172A	92172-0828	SCREW,PIPE INJECTION		4	4		
92191	92191-1550	TUBE,3.2X7.4X30		2	2		
92191A	92191-1551	TUBE,3.2X7.4X40		2	2		
92191B	92191-1552	TUBE,3.2X7.4X70		2	2		
92192	92192-1493	TUBE		1	1		
92192A	92192-1494	TUBE,3.5X7.5X40		4	4		
92192B	92192-1998	TUBE		1	1		
92192C	92192-1999	TUBE		1	1		
92200	92200-1564	WASHER,PILOT AIR SCREW		4	4		
92200A	92200-3807	WASHER		4	4		
220	220AA0510	SCREW-PAN-CROS,5X10		2	2		

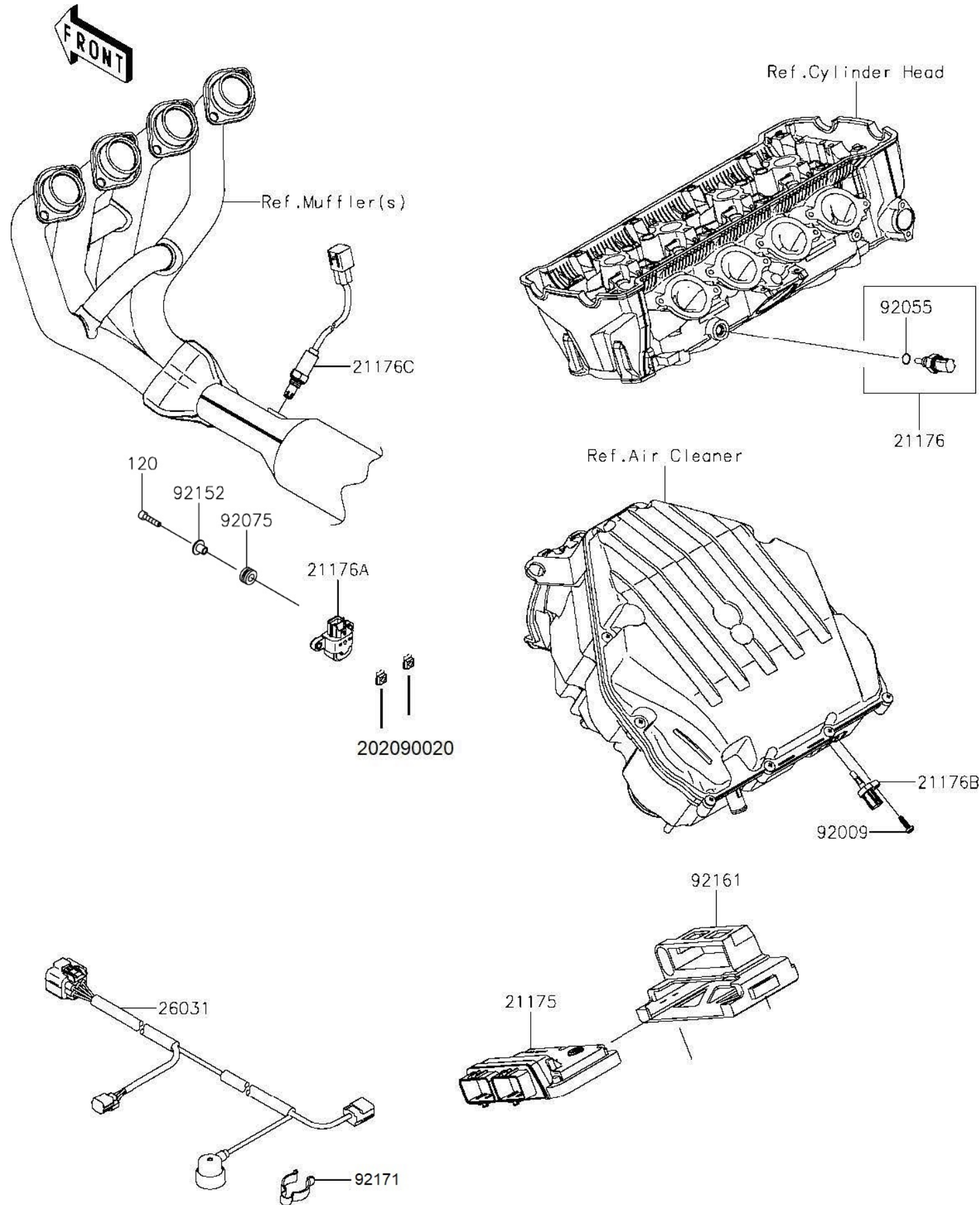
K19. Fuel Pump



Ref. No.	Part No.	Description	Spec Code	Quantity			
				'20	'20		
				KLF	KLFA		
49040	49040-0727	PUMP-FUEL		1	1		
51044	51044-0899	TUBE-ASSY,FUEL		1	1		
92154	92154-1848	BOLT,FLANGED,6X12		5	5		
99999	99999-0522	KIT,FUEL FILTER		1	1		
670	670E5075	O RING		1	1		

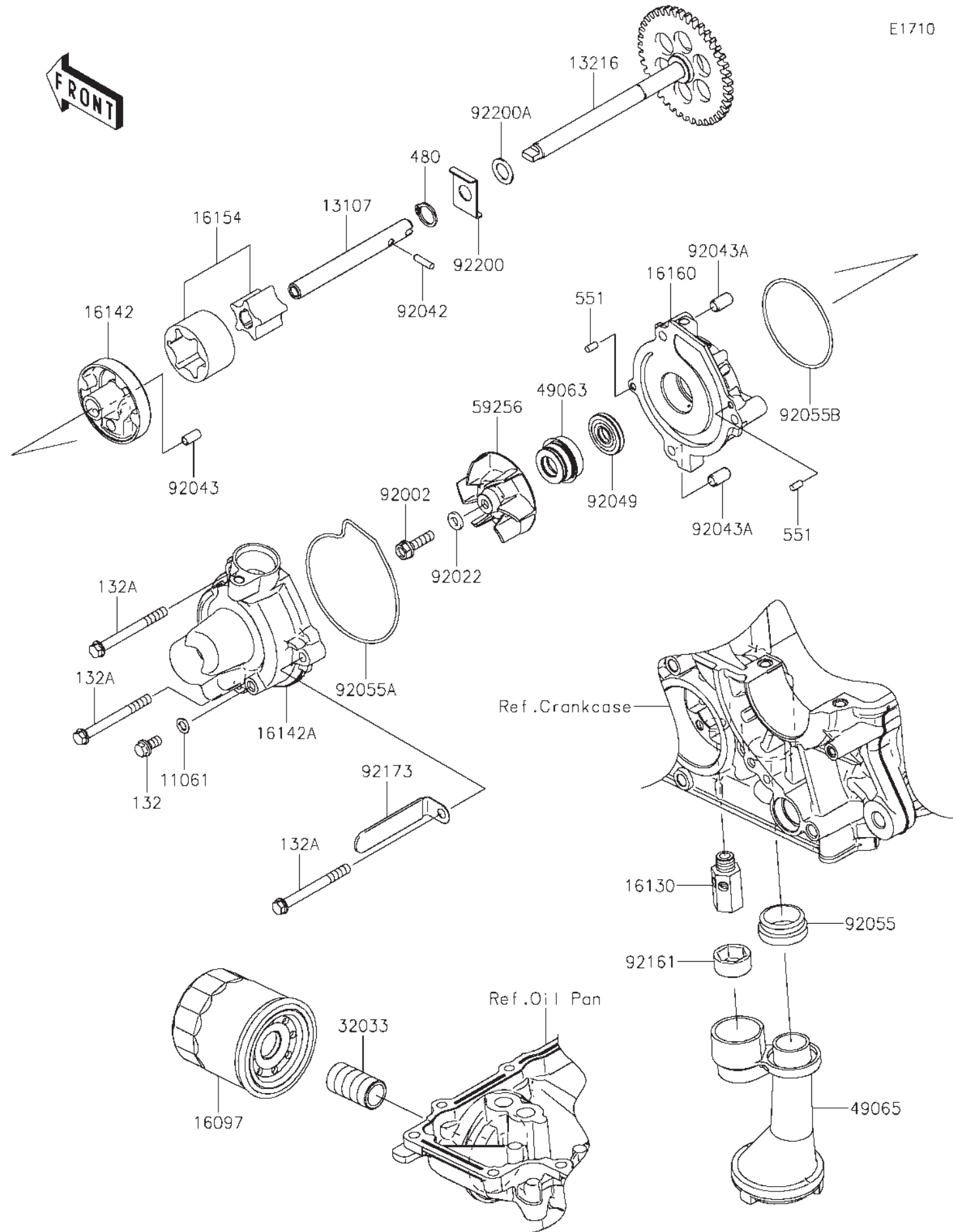
K20. Fuel Injection

E15.30



Ref. No.	Part No.	Description	Spec Code	Quantity			
	202090020	NUT					2
21175	21175-1631	CONTROL UNIT-ELECTRONIC					1
21176	21176-0009	SENSOR,WATER TEMP					1
21176A	21176-0026	SENSOR,VEHICLE-DOWN					1
21176B	21176-0048	SENSOR,AIR TEMPERATURE					1
21176C	21176-0932	SENSOR,OXYGEN					1
26031	26031-2721	HARNESS,SUB					1
92009	92009-1984	SCREW,TAPPING,5X16 RING-					1
92055	92055-0016	O,9.5X1.9					1
92161	92161-2261	DAMPER,ECU					1
92171	92173-2419	CLAMP,CABLE					1

K22. Oil Pump

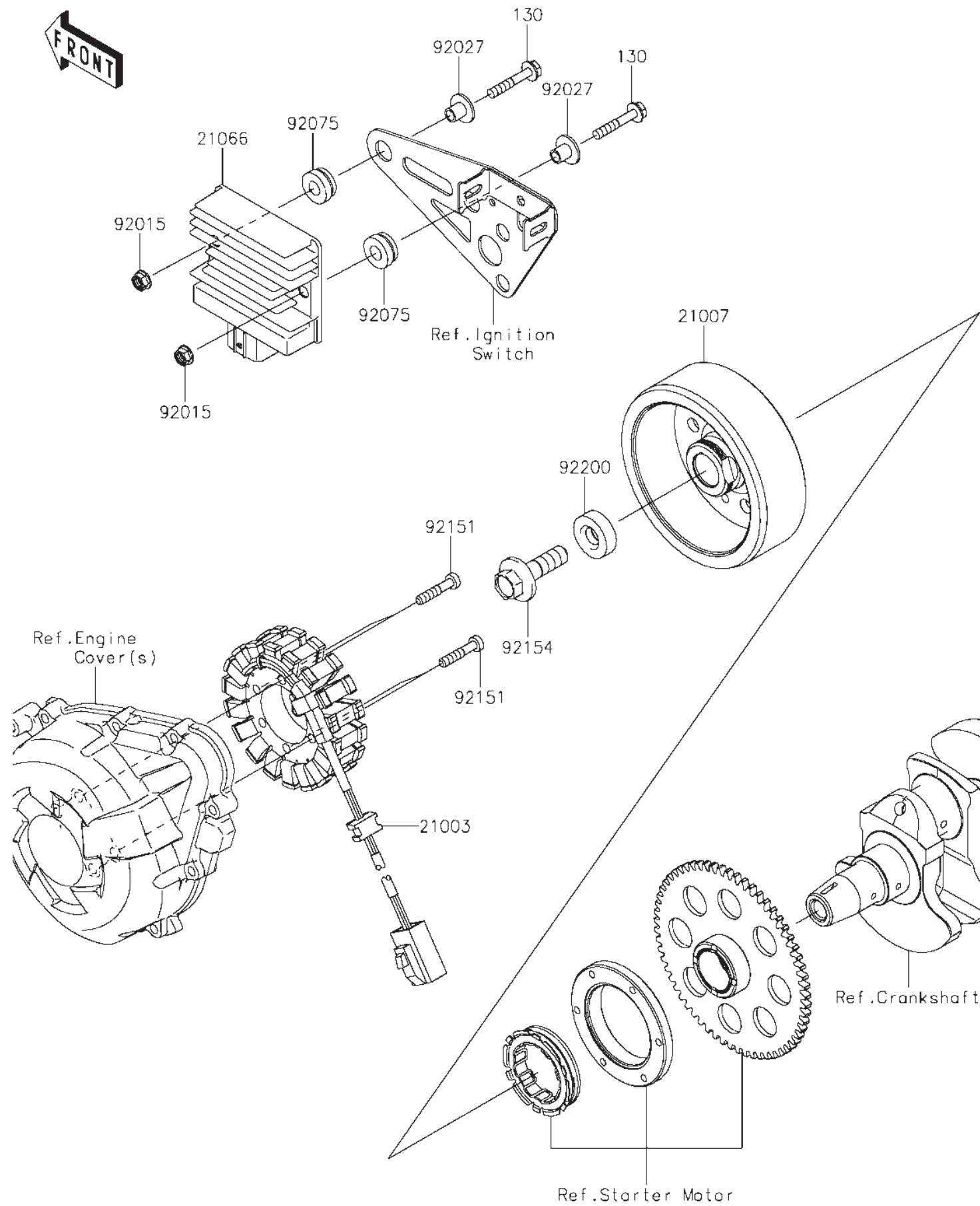


E1710

Ref. No.	Part No.	Description	Spec Code	Quantity			
				'20	'20		
				KLF	KLFA		
11061	11061-0107	GASKET		1	1		
13107	13107-0214	SHAFT		1	1		
13216	13216-0020	GEAR-COMP,OIL PUMP,41T		1	1		
16097	16097-0008	FILTER-ASSY-OIL		1	1		
16130	16130-1058	VALVE-ASSY-RELIEF		1	1		
16142	16142-0064	COVER-PUMP		1	1		
16142A	16142-0747	COVER-PUMP		1	1		
16154	16154-0057	ROTOR-PUMP		1	1		
16160	16160-0796	BODY		1	1		
32033	32033-1535	PIPE,OIL FILTER		1	1		
49063	49063-1055	SEAL-MECHANICAL,WATER		1	1		
49065	49065-0026	FILTER-OIL		1	1		
59256	59256-0555	IMPELLER		1	1		
92002	92002-1154	BOLT,6X22		1	1		
92022	92022-077	WASHER,6.1X12X1		1	1		
92042	92042-030	PIN,DOWEL,4X13.8		1	1		
92043	92043-1262	PIN,4.2X6X12		1	1		
92043A	92043-1263	PIN,6.2X8X14		2	2		
92049	92049-0798	SEAL-OIL		1	1		
92055	92055-1503	RING-O,OIL FILTER		1	1		
92055A	92055-1571	RING-O,WATER PUMP COVER		1	1		
92055B	92055-3018	RING-O,59.6X2.4		1	1		
92161	92161-0070	DAMPER		1	1		
92173	92173-1201	CLAMP		1	1		
92200	92200-0410	WASHER		1	1		
92200A	92200-1009	WASHER		1	1		
132	132BA0612	BOLT-FLANGED-SMALL,6X12		1	1		
132A	132BC0660	BOLT-FLANGED-SMALL,6X60		3	3		
480	480J1100	CIRCLIP-TYPE-C,11MM		1	1		
551	551A0408	PIN-DOWEL,4X8		2	2		

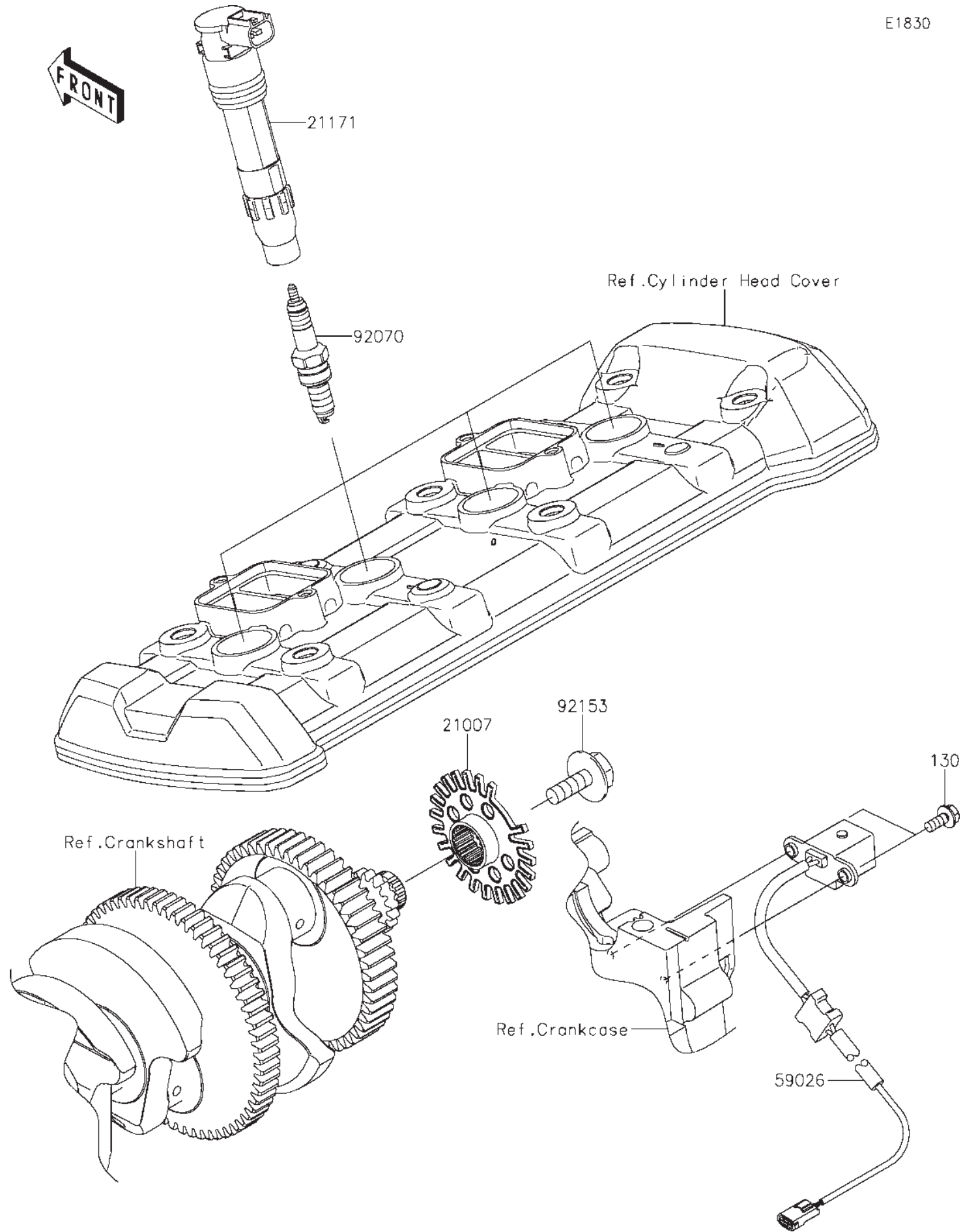
K23. Generator

E1810



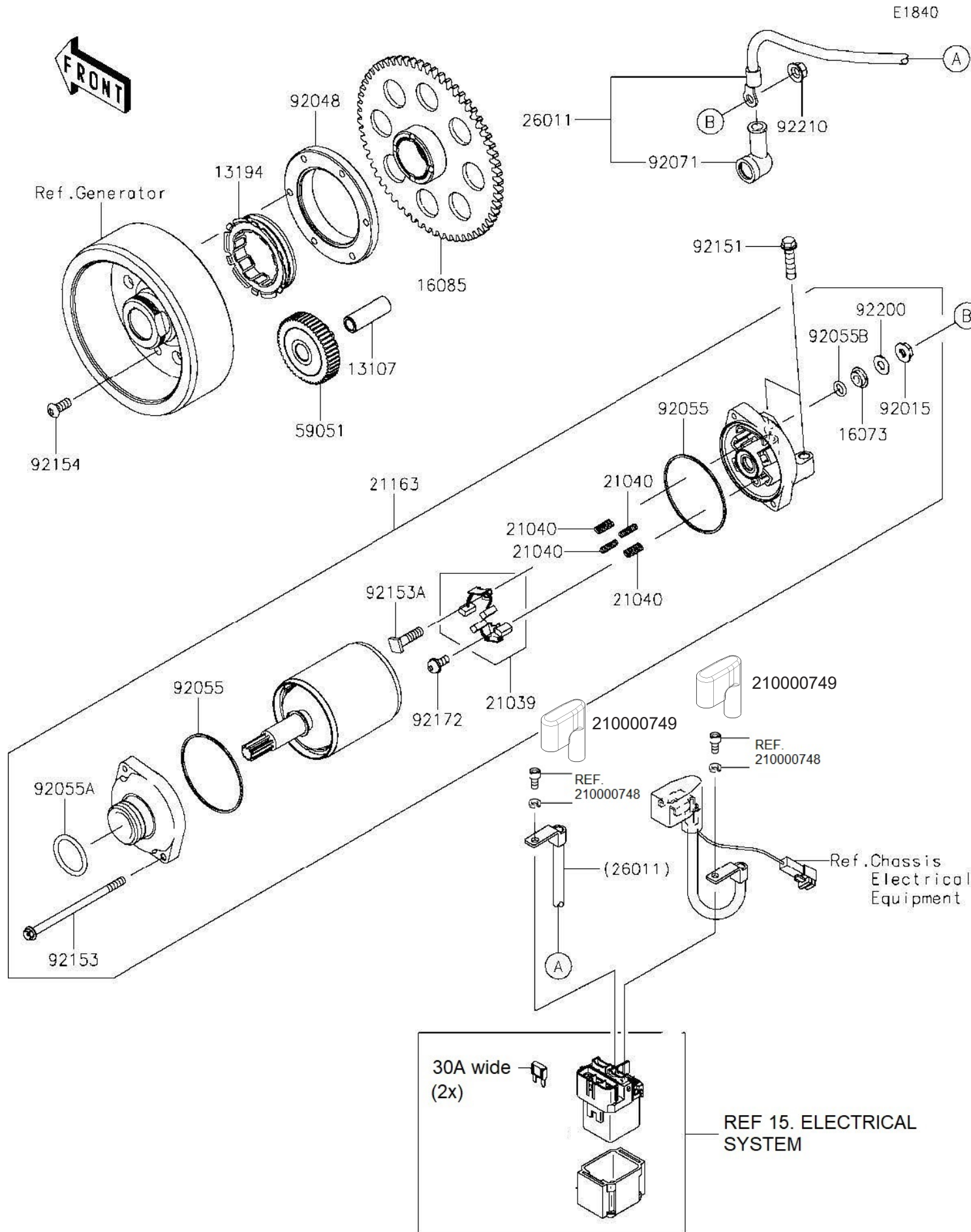
Ref. No.	Part No.	Description	Spec Code	Quantity			
				'20	'20		
				KLF	KLFA		
21003	21003-0198	STATOR		1	1		
21007	21007-0691	ROTOR		1	1		
21066	21066-0756	REGULATOR-VOLTAGE		1	1		
92015	92015-1233	NUT,FLANGED,6MM,BLACK		2	2		
92027	92027-1651	COLLAR,FLANGED,L=12.1,BLACK		2	2		
92075	92075-277	DAMPER		2	2		
92151	92151-1626	BOLT,6X30		4	4		
92154	92154-2650	BOLT,FLANGED,12X40		1	1		
92200	92200-0369	WASHER,12X34X9		1	1		
130	130BA0635	BOLT-FLANGED,6X35		2	2		

K24. Ignition System



E1830

Ref. No.	Part No.	Description	Spec Code	Quantity			
				'20	'20		
				KLF	KLFA		
21007	21007-0673	ROTOR		1	1		
21171	21171-0033	COIL-ASSY-IGNITION		4	4		
59026	59026-0043	COIL-PULSING		1	1		
92070	92070-0014	PLUG-SPARK,CR9E1A(NGK)		4	4		
92153	92153-0549	BOLT,FLANGED,8X23		1	1		
130	130BA0512	BOLT-FLANGED,5X12		2	2		

K25. Starter Motor

Ref. No.	Part No.	Description	Spec Code	Quantity			
				'20			
13107	13107-1377	SHAFT, IDLER GEAR		1			
13194	13194-1096	CLUTCH-ONEWAY		1			
16073	16073-0053	INSULATOR		1			
16085	16085-0609	GEAR, CLUTCH ONEWAY		1			
21039	21039-0004	BRUSH, CARBON		1			
21040	21040-0003	SPRING-BRUSH		4			
21163	21163-0748	STARTER-ELECTRIC		1			
26011	26011-0951	WIRE-LEAD		1			
59051	59051-0762	GEAR-SPUR, IDLER		1			
92015	92015-1476	NUT, STARTER MOTOR		1			
92048	92048-0018	RACE		1			
92055	92055-0136	RING-O		2			
92055A	92055-1276	RING-O		1			
92055B	92055-1370	RING-O, 4.5X2.0		1			
92071	92071-0024	GROMMET		1			
92151	92151-1930	BOLT, FLANGED-SMALL, 6X25		2			
92153	92153-1850	BOLT		2			
92153A	92153-1866	BOLT		1			
92154	92154-2448	BOLT, TORX, 6X14		6			
92172	92172-0334	SCREW		1			
92200	92200-0386	WASHER		1			
92210	92210-0188	NUT, 6MM		1			



Bimota S.P.A.
47853, Via Ausa 118, Cerasolo (RN)